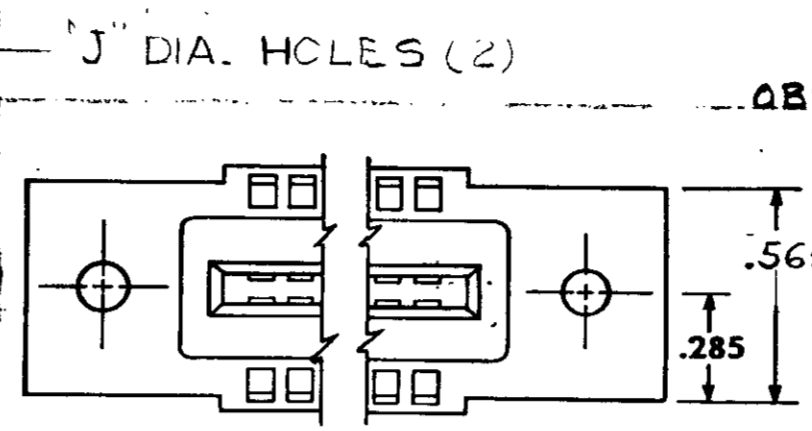
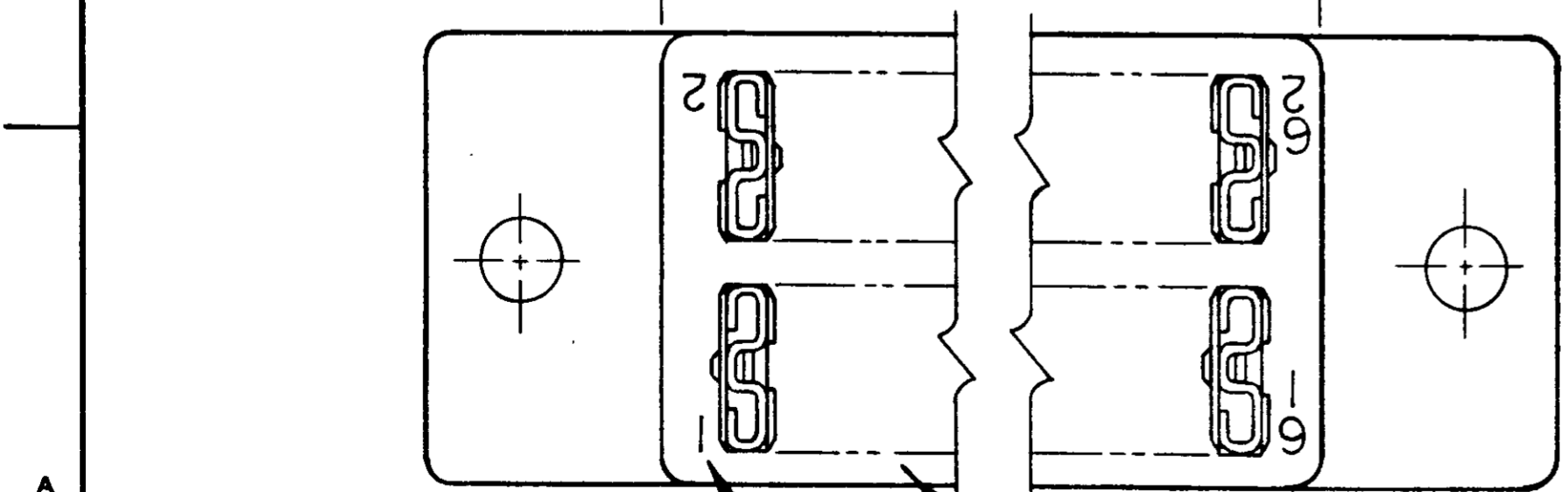
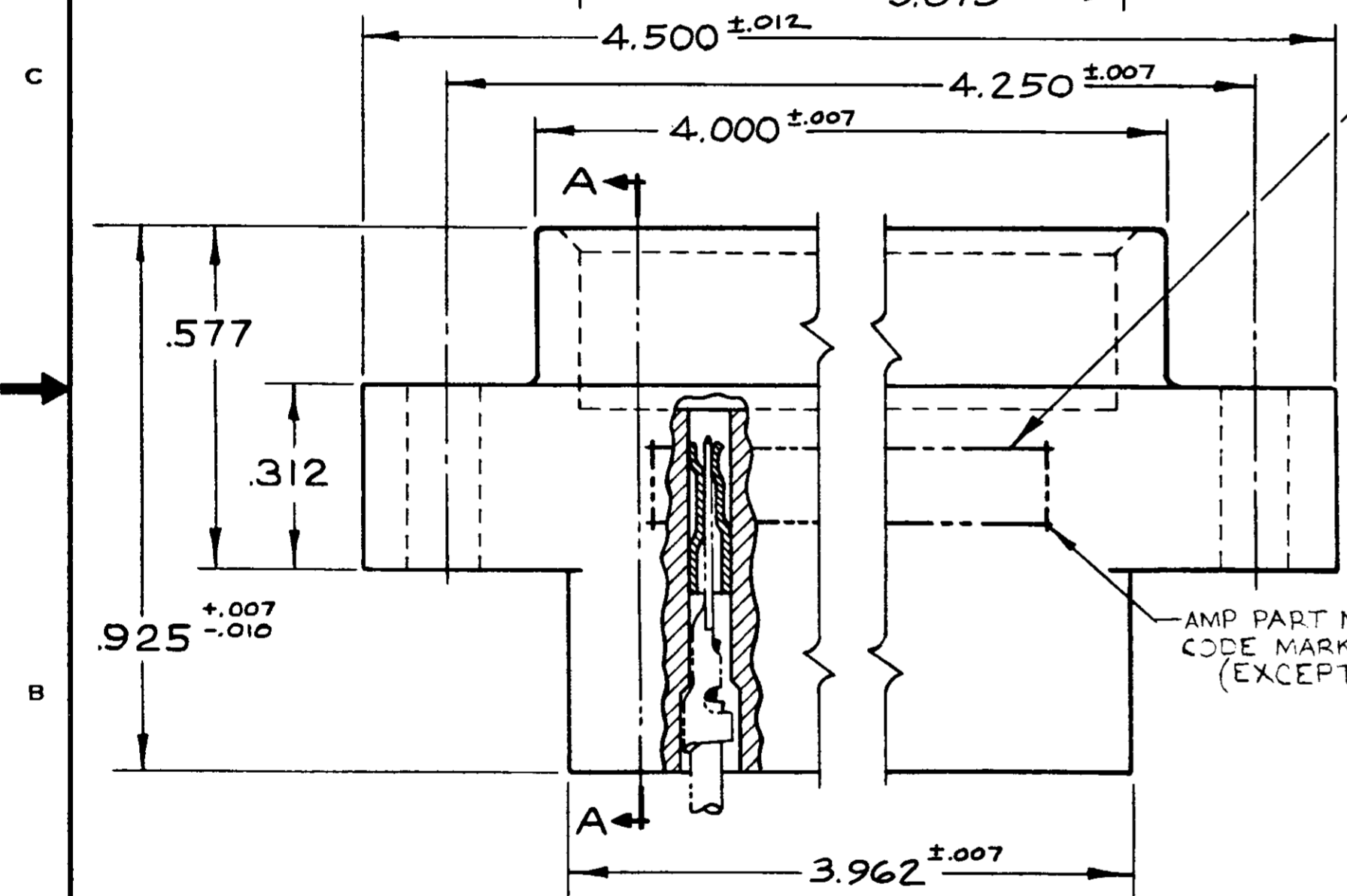
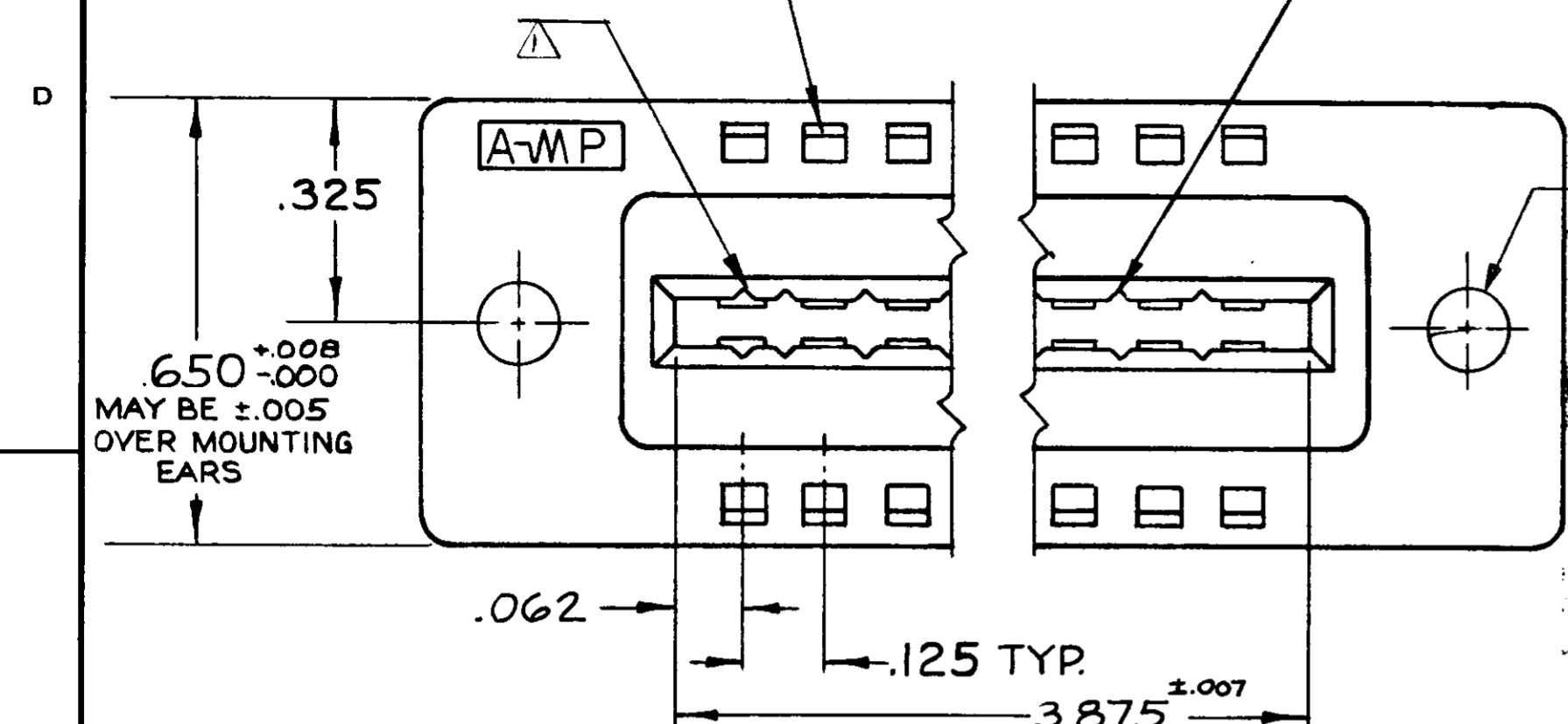


© 1962 BY AMP INCORPORATED. ALL RIGHTS RESERVED. AMP PRODUCTS COVERED BY PATENTS AND/OR PATENTS PENDING. APPROVED PER GOVT CONTRACT NO.

LOCATION FOR AMP-TAB FEMALE CONTACT

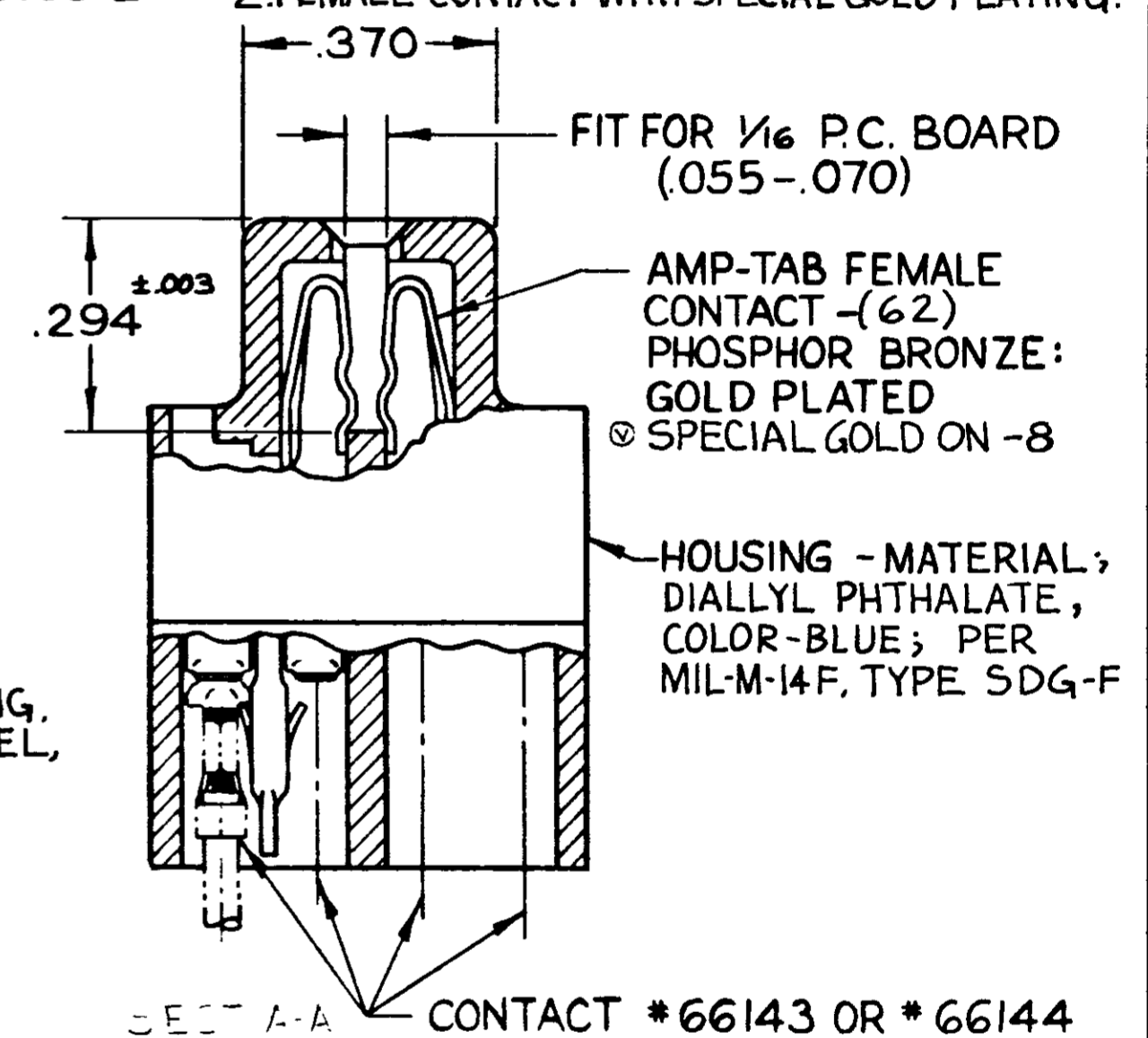
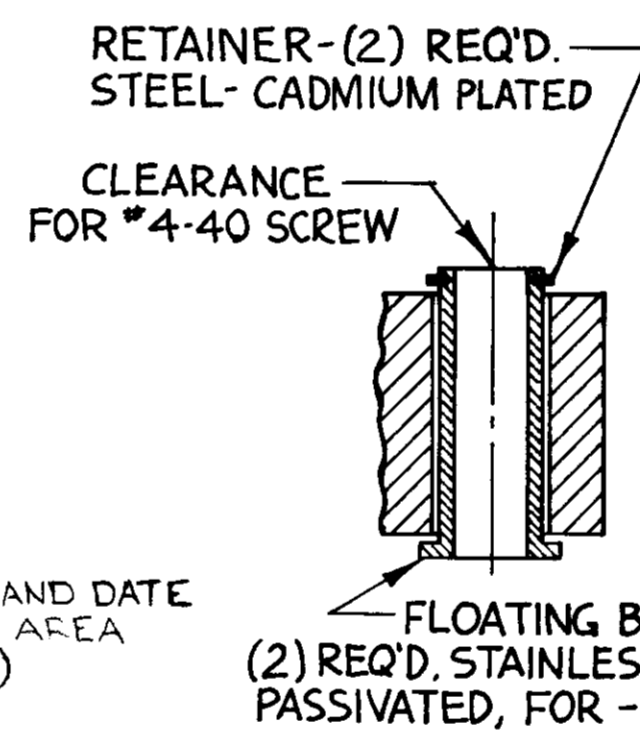
LOCATION FOR KEYING PLUG 582501-1 (FOR INTER-CONTACT KEYING)

REVISIONS				
ZONE	LTR	DESCRIPTION	DATE	APPROVED
✓	AA	REVISED PER 0600-3683-95 TA	10-95	J.WARNER
	AB	ECO-08-0220973	PY	11-08 JW



- 582603-1 1. AS SHOWN. "J" DIA HOLES = .128
- ~~582603-2~~ 1. SAME AS -1 EXCEPT; 2. "J" DIA. HOLES = .150
- ~~582603-3~~ 1. REFER TO DWG. NO. 582603-3.
- ~~582603-4~~ 1. SAME AS -1 EXCEPT; 2. CUSTOMER PART NO STAMPED ON BLOCK IN PLACE OF AMP PART NO.
- 582603-5 1. SAME AS -1 EXCEPT; SPECIAL PART.
- 582603-6 1. REFER TO DWG. NO 582603-6.
- ~~582603-7~~ 1. SAME AS -1 EXCEPT; 2. WITH FLOATING BUSHING (SEE DETAIL).
- 582603-8 1. SAME AS -2 EXCEPT; 2. FEMALE CONTACT WITH SPECIAL GOLD PLATING.

CUSTOMER PART NO. 280D105-2 MARKED ON -4



CONTACT #66143 OR #66144 (MUST BE ORDERED SEPARATELY)

- ▲ GROOVES FOR "ON CONTACT KEYING" AMP'S OPTION DEPENDING ON METHOD OF MANUFACTURE. FOR "ON CONTACT" KEYING USE KEYING PLUG P/N 583487-1. (MUST BE ORDERED SEPARATELY.)
- ▲ MOUNTING EAR CONFIGURATION AMP'S OPTION DEPENDS ON METHOD OF MANUFACTURE.

UNLESS OTHERWISE SPECIFIED DIMENSIONS ARE IN INCHES TOLERANCES ON FRACTIONS DECIMALS ANGLES		CONTRACT NO.		AMP INCORPORATED HARRISBURG, PENNSYLVANIA	
±.005	±.005	DR	DATE	31 POSITION AMP-TAB CONNECTOR .125 CENTERS QUAD	
SEE CALLOUT	SEE CALLOUT	CHK	DATE	SIZE	CODE IDENT NO
HEAT TREAT	HEAT TREAT	DSGN ENGR	DATE	C	00779
FINISH	FINISH	APPD	DATE	NUMBER	582603
SEE CALLOUT	SEE CALLOUT	DSGN APPD	DATE	REV	AB
		OTHER APPD	DATE	SCALE	4 -

3. LASER MARKING ACCEPTABLE FOR ALL MARKING

AMP INFO LOC PRINT BY DF FO

X-ON Electronics

Largest Supplier of Electrical and Electronic Components

Click to view similar products for [Cable Mounting & Accessories](#) category:

Click to view products by [TE Connectivity](#) manufacturer:

Other Similar products are found below :

[HP-4N](#) [582603-1](#) [009333-000](#) [727844N003](#) [809090N001](#) [8109](#) [843188-000](#) [843459N001](#) [843460N003](#) [8666](#) [967279N002](#) [GPQC1/0](#) [DB-11](#) [1300830208](#) [1300840039](#) [1300900026](#) [1300990052](#) [1301740005](#) [1301800121](#) [1301800416](#) [1300830184](#) [1300990149](#) [1301580036](#) [1301720103](#) [1301720135](#) [1301720152](#) [1301720157](#) [1301740009](#) [1301770011](#) [1301850553](#) [1301860939](#) [1302000074](#) [1302264431](#) [1337706-2](#) [APA18-AK](#) [MTX6UTPSRC-C](#) [1-787307-1](#) [185491N001](#) [HP-6N](#) [C-202-C](#) [202C221-13-0](#) [OMTM-S10-C0](#) [205339-4](#) [CA7308-000](#) [8S23-75FR-CS8184](#) [2684](#) [9648](#) [3089](#) [988382-000](#) [A0270164](#)