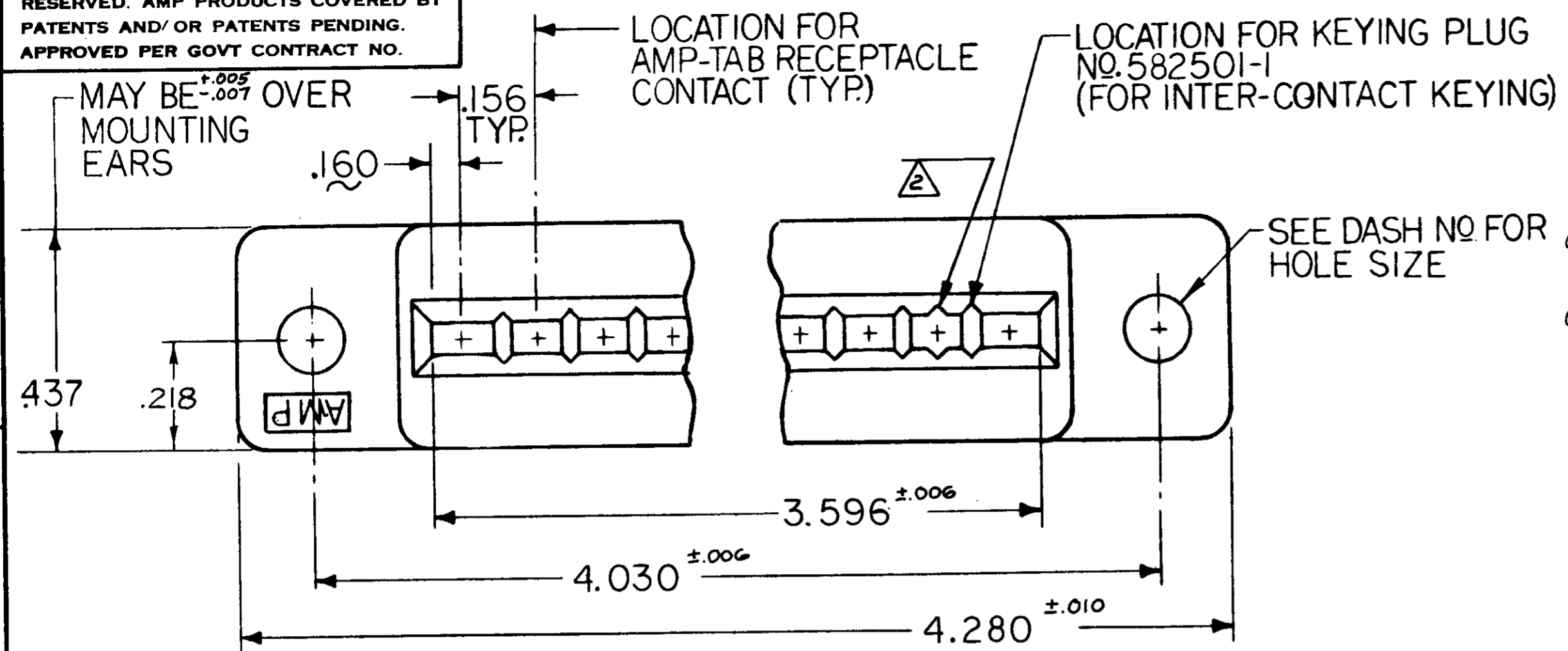
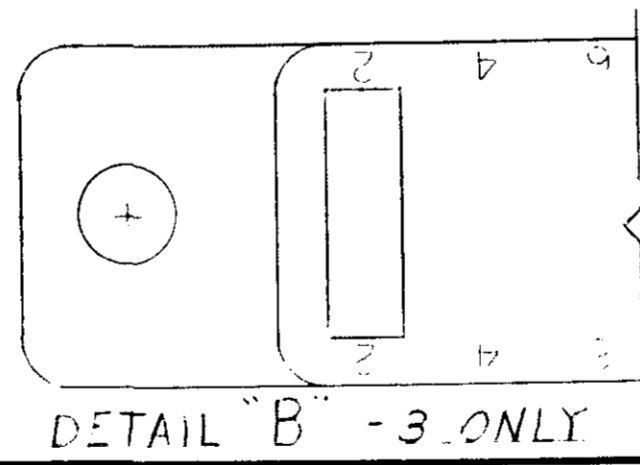
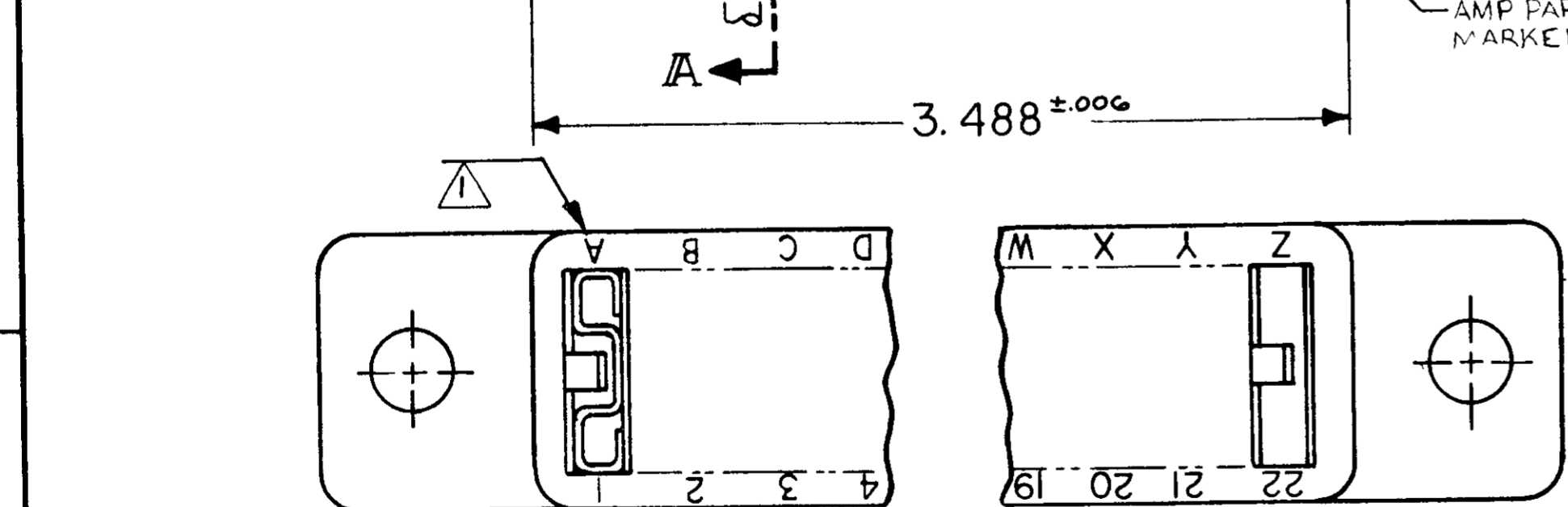
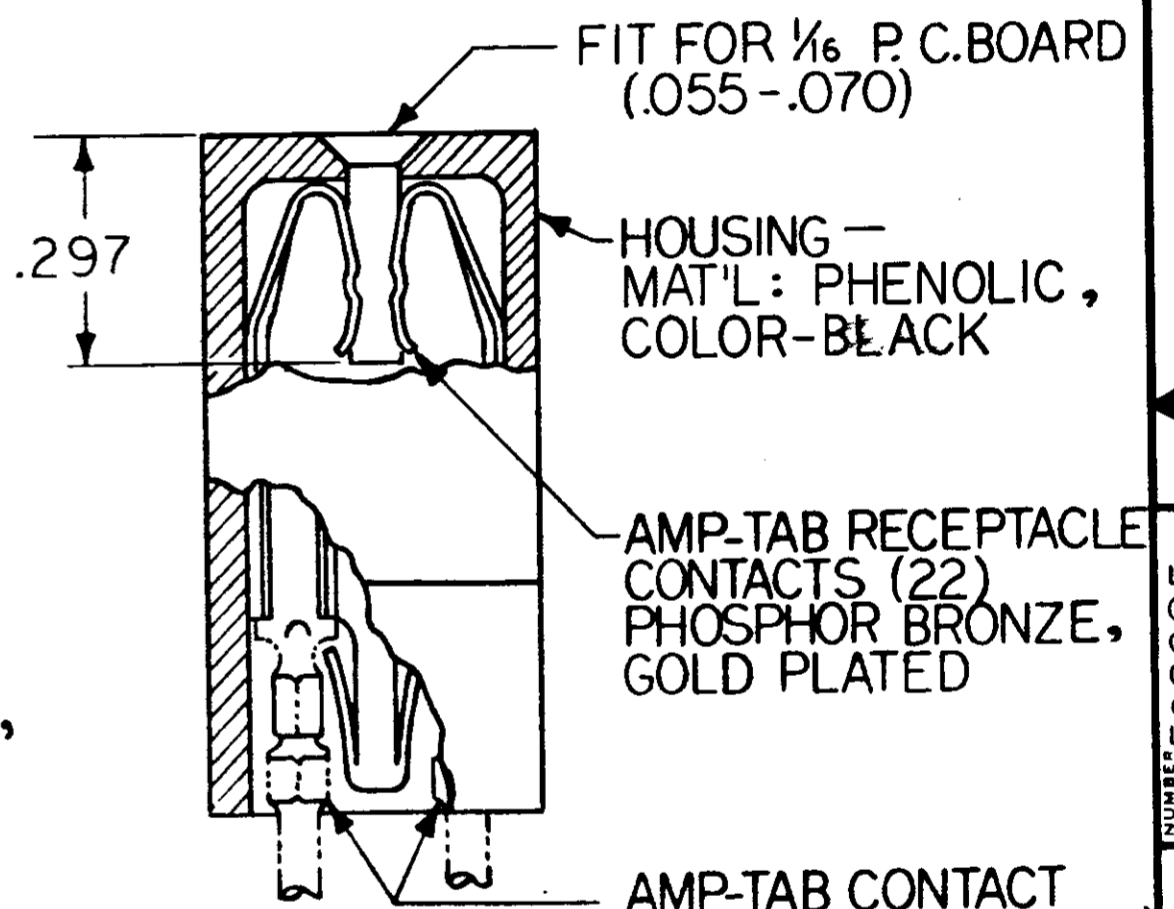
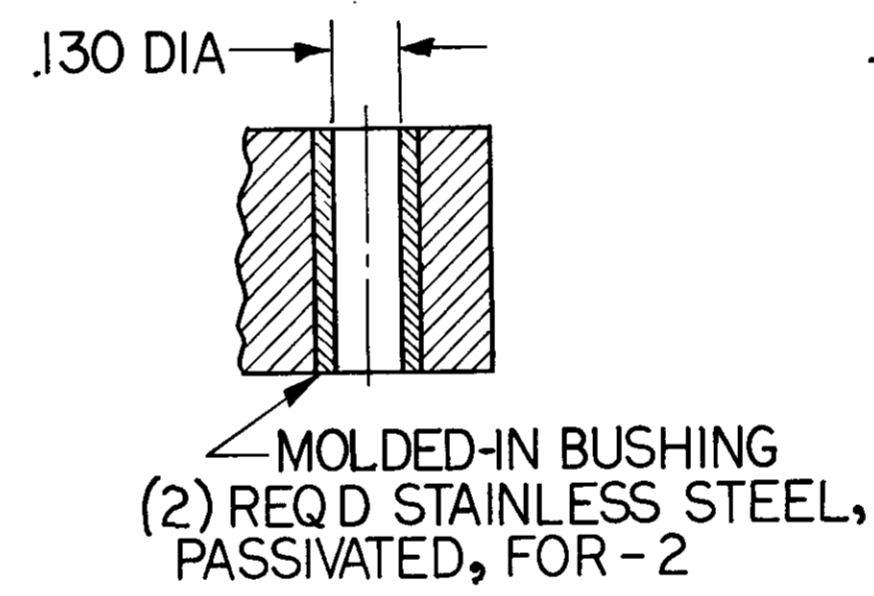
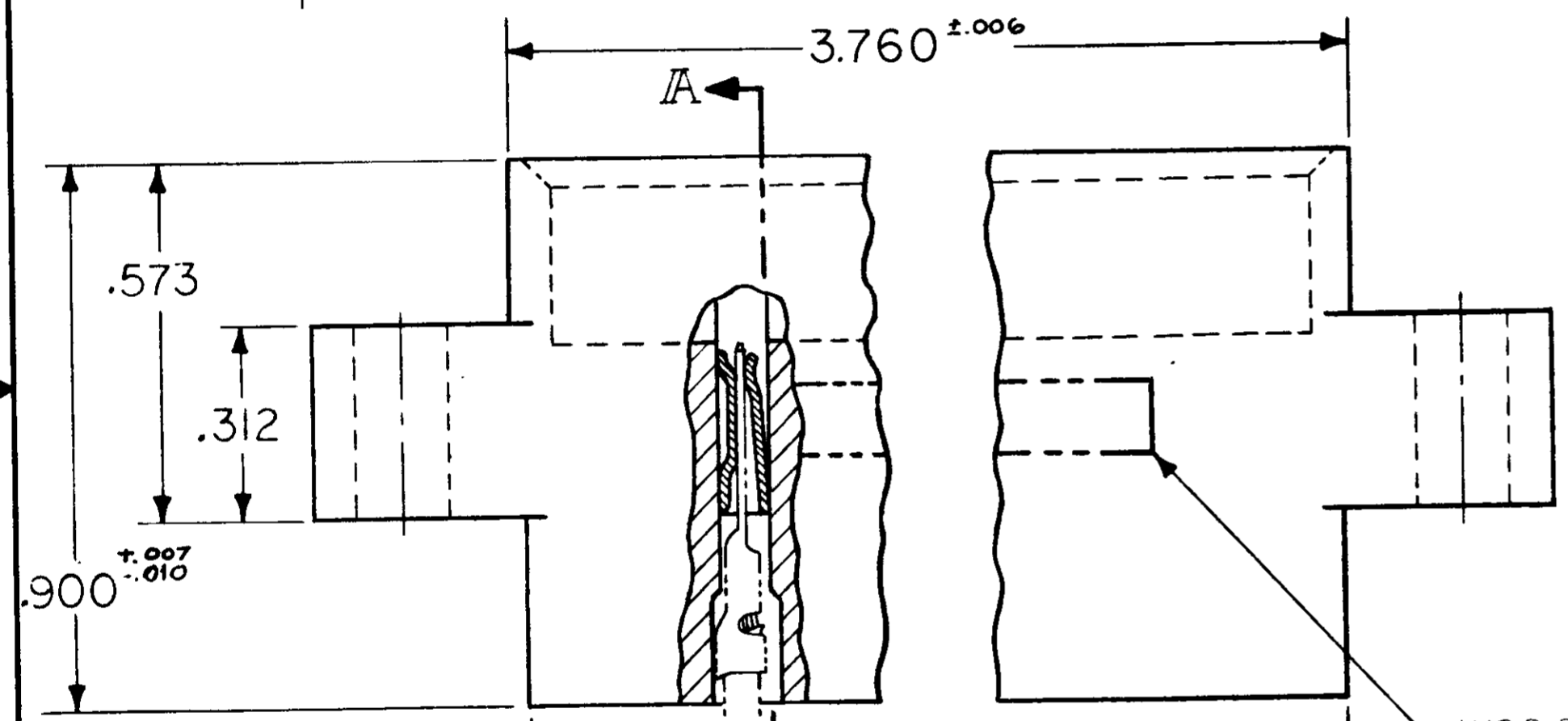


© 1963 BY AMP INCORPORATED. ALL RIGHTS RESERVED. AMP PRODUCTS COVERED BY PATENTS AND/OR PATENTS PENDING. APPROVED PER GOVT CONTRACT NO.

REVISIONS				
ZONE	LTR	DESCRIPTION	DATE	APPROVED
✓	M	REV. SEC PER DG00-3683-95	TA	10-95 J.WARNER
	N	ECO-08-020973	PY	11-08 JW



582695-1 I. AS SHOWN WITH .128 DIA. MOUNTING HOLES.
~~582695-2 I. SAME AS -1 EXCEPT, WITH MOLDED-IN BUSHING (SEE DETAIL)~~
~~582695-3 I. SAME AS -1 EXCEPT CAVITY IDENTIFICATION TO BE ALL NUMERIC USING ONLY EVEN NUMBERS. (SEE DETAIL "B")~~



NOTE:
 1. UPPER CASE LETTERS, LETTERS G, I, O, & Q OMITTED. CIRCUIT CAVITY IDENTIFICATION MARKS PER MIL-C-21007.
 2. GROOVES FOR "ON CONTACT KEYING" AMP'S OPTION DEPENDING ON METHOD OF MANUFACTURE. FOR "ON CONTACT KEYING" USE KEYING PLUG P/N. 583487-1 (MUST BE ORDERED SEPARATELY.)
 3. LASER MARKING ACCEPTABLE FOR ALL MARKING

UNLESS OTHERWISE SPECIFIED DIMENSIONS ARE IN INCHES TOLERANCES ON		CONTRACT NO.		AMP INCORPORATED HARRISBURG, PENNSYLVANIA	
FRACTIONS	DECIMALS	ANGLES	DR	DATE	NAME
±	±.005	±	J. Asich		TRADE MARK
MATERIAL			CHK	DATE	
SEE CALLOUT			S.S. Heide		CONNECTOR, AMP-TAB, DUAL, 22 POS., .156 CTRS.
HEAT TREAT			DSGN ENGR	DATE	
			APPD	DATE	
FINISH			DSGN APPD	DATE	
SEE CALLOUT			OTHER APPD	DATE	
SIZE	CODE IDENT NO	NUMBER	REV		
C	00779	582695	N		
SCALE	4 - 1	WT	CALC	ACTUAL	SHEET

CUSTOMER DRAWING

X-ON Electronics

Largest Supplier of Electrical and Electronic Components

Click to view similar products for [Headers & Wire Housings](#) category:

Click to view products by [TE Connectivity](#) manufacturer:

Other Similar products are found below :

[95000-104TRLF](#) [10135584-644402LF](#) [DF62W-EP2022PCA](#) [95000-106TRLF](#) [DF62W-2022SCA](#) [DF62W-EP2022PC](#) [2203348](#) [DF62W-2022SC](#) [1084018](#) [1029039](#) [1084017](#) [802-10-012-10-002000](#) [1112640](#) [1112639](#) [000-34000](#) [0008550134](#) [0009482033](#) [0009507031](#) [57102-F02-18ULF](#) [57102-S06-03LF](#) [57202-S52-04LF](#) [PCN6-15S-2.5E](#) [0039019024](#) [58102-G61-06LF](#) [582553-1](#) [0009485154](#) [0009508121](#) [0022285053](#) [0050291907](#) [018731A](#) [LY20-4P-DT1-P1E-BR](#) [02.125.8002.8](#) [60101931](#) [60598-1 \(Cut Strip\)](#) [M1625-3R/100](#) [61062-3](#) [61082-181009](#) [CSU011177004](#) [636-1427](#) [638009-1](#) [641938-9](#) [641991-4](#) [644168-1](#) [644827-2](#) [647662-1](#) [65039-019ELF](#) [65692-001LF](#) [65781-018](#) [65781-047](#) [65817-002LF](#)