

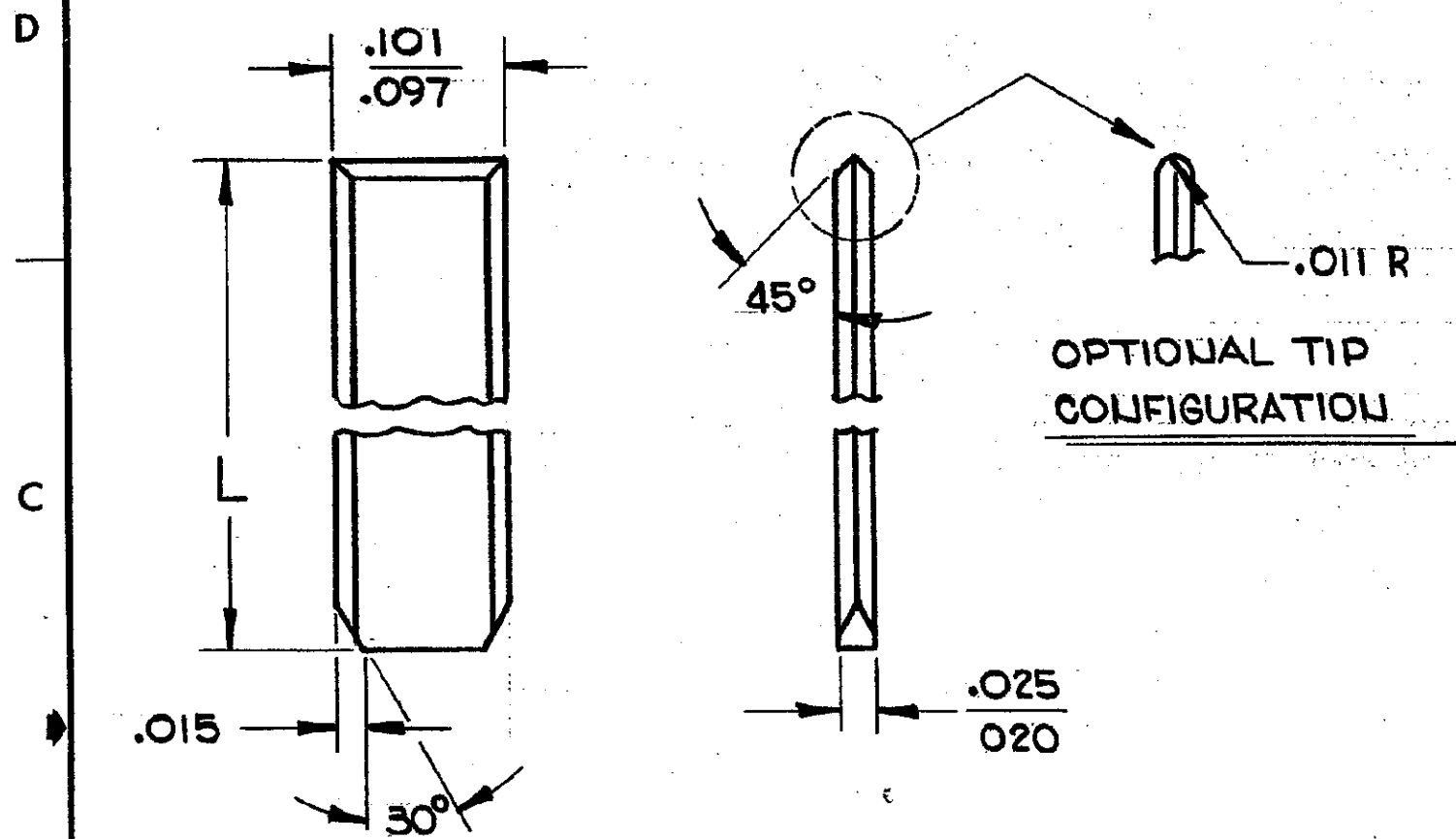
DRAWING MADE IN THIRD ANGLE PROJECTION

THIS DRAWING IS UNPUBLISHED. RELEASED FOR PUBLICATION, 19

© COPYRIGHT 1967 BY AMP INCORPORATED, HARRISBURG, PA. ALL INTERNATIONAL RIGHTS RESERVED. AMP PRODUCTS MAY BE COVERED BY U.S. AND FOREIGN PATENTS AND/OR PATENTS PENDING.

LOC FT DIST 22

REVISIONS						
P	F	ZONE	LTR	DESCRIPTION	DATE	APPROVED
✓			D	REVISED AND REDRAWN G778 103	8-31-83	H.W. Roan
✓			E	OBS -2 & -4 PER AD1831	3-22-88	LB
✓			F	REV PER EC 0320-344-47	8-11-97	NS



OBSOLETE	NYLON	NATURAL	.495/.485	583274-4
	GLASS-FILLED POLYESTER	NATURAL	.295/.275	583274-3
OBSOLETE	NYLON	YELLOW	.295/.275	583274-2
	NYLON	NATURAL	.295/.275	583274-1
	MATERIAL	COLOR	L	PART NO

UNLESS OTHERWISE SPECIFIED DIMENSIONS ARE IN INCHES. TOLERANCES ON: DECIMALS ±.005 ANGLES ±	CONTRACT NO	AMP INCORPORATED Harrisburg, Pa.	
	DR. IRSHAFFUER 8-31-83	AMP	
MATERIAL SEE CHART	CHK. Howard W. Roan 8/31/83	NAME KEY FOR AMP LEAF HOUSING, INTER-CONTACT, .020 THICK	
FINISH #	APPD. Howard W. Roan 8/31/83 APPD. D.D. [unclear] 8/31/83		
	DSGN APPD	SIZE B	FSCM NO 00779
	OTHER APPD	DRAWING NO 583274	
		SCALE 10-1	SHEET 1 OF 1

X-ON Electronics

Largest Supplier of Electrical and Electronic Components

Click to view similar products for [Standard Card Edge Connectors](#) category:

Click to view products by [TE Connectivity](#) manufacturer:

Other Similar products are found below :

[CR7E-30DB-3.96E\(72\)](#) [6364499-1](#) [6565204-6](#) [PKC-156](#) [1437274-4](#) [147889-1](#) [1489165-4](#) [EBT15622B2X](#) [1-582587-1](#) [284-0102-12100](#)
[286-0052-12101A](#) [306022901000000](#) [307-012-502-202](#) [307-056-520-300](#) [2129318-1](#) [245-062-520-350](#) [287-0032-12101](#) [306-028-525-102](#)
[307-072-526-202](#) [345-060-559-303](#) [392-008-559-201](#) [534671-1](#) [341-240-317](#) [345-044-500-300](#) [346-240-318](#) [395-100-524-300](#) [09-07-2032](#)
[10035388-802LF](#) [10115859-011LF](#) [10122859-009LF](#) [10127905-B04B24BLF](#) [530555-1](#) [5-678046-1](#) [73726-0005](#) [66308-1](#) [1-1437275-6](#)
[PEC-07-02-T-S-A](#) [346-014-520-801](#) [307-048-502-202](#) [CE100F22-9-C](#) [CE100F26-7-C](#) [CE100F28-3-D](#) [CE156F18-9-C](#) [CE156F22-5-D](#)
[CE156F22-9-C](#) [CT100F22-2-D](#) [CT100F22-3-D](#) [CT100F24-2-D](#) [CT100F24-3-D](#) [CT100F24-6-C](#)