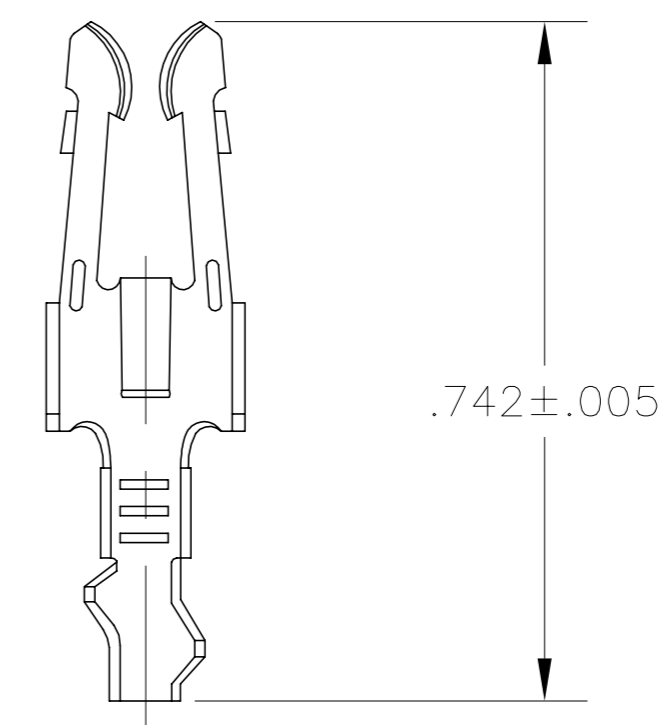
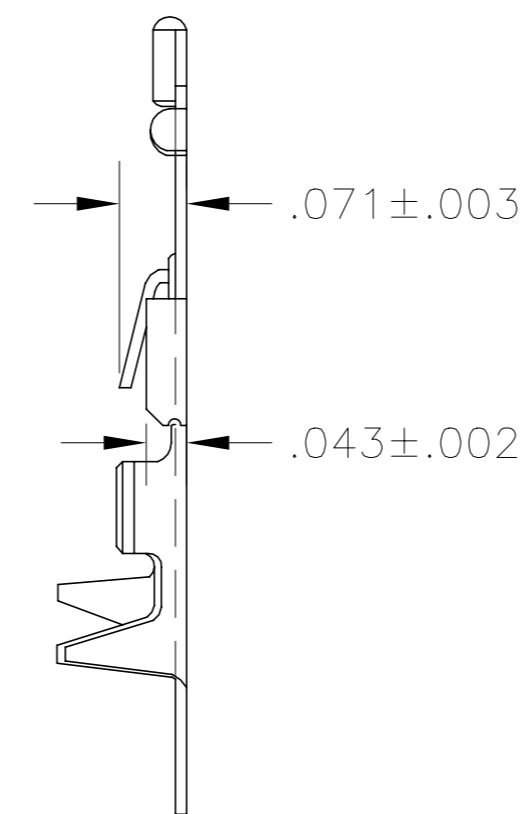
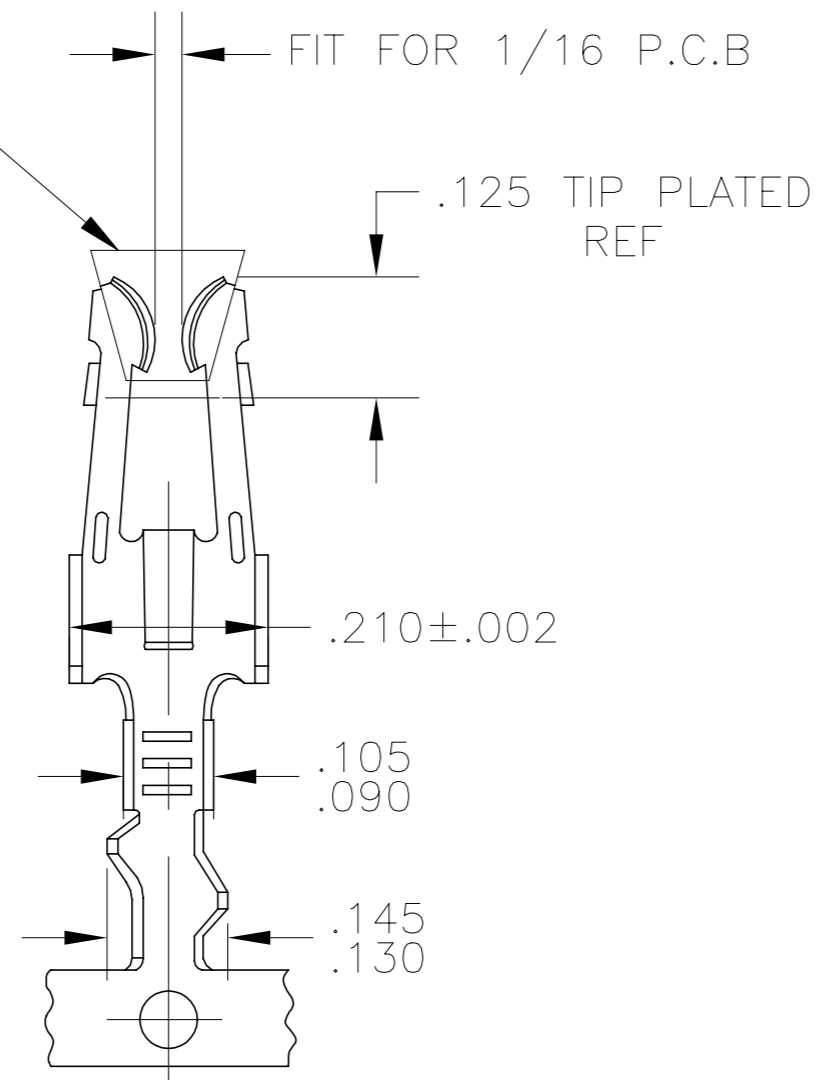


REVISIONS					
P	LTR	DESCRIPTION	DATE	DWN	APVD
	B2	ECO-20-014947	23OCT2020	RK	JO

MINIMUM CONTACT AREA GOLD PLATED



LOOSE PIECE

1. WIRE SIZE: #20-#18 AWG, INSULATION RANGE .070-.110 DIA.

2 L-R REELING FOR MINI-APPLICATOR.

3 MATTE TIN PLATE IN CRIMP AREA.

4 OBSOLETE PARTS: OBSOLETE CIS STREAMLINING PER D.RENAUD/D.SINISI

NICKEL PLATE ALL OVER, TIP PLATE .000030 THICK GOLD.	583362-4 L.P( <del>5-583363-3</del> )	583362-7 <span style="border: 1px solid black; padding: 2px;">3</span>
NICKEL PLATE ALL OVER, TIP PLATE .000015 THICK GOLD.	583362-3 L.P( <del>5-583363-2</del> )	<span style="border: 1px solid black; padding: 2px;">4</span> <del>583362-6</del> <span style="border: 1px solid black; padding: 2px;">3</span>
TIN.	583362-2 L.P( <del>5-583363-1</del> )	<span style="border: 1px solid black; padding: 2px;">4</span> <del>583362-5</del> <span style="border: 1px solid black; padding: 2px;">3</span>
NICKEL PLATE ALL OVER, TIP PLATE .000030 THICK GOLD, TIN-LEAD	583362-4 L.P(583363-3)	583362-4 <span style="border: 1px solid black; padding: 2px;">2</span>
NICKEL PLATE ALL OVER, TIP PLATE .000015 THICK GOLD, TIN-LEAD	583362-3 L.P( <del>583363-2</del> )	583362-3 <span style="border: 1px solid black; padding: 2px;">2</span>
TIN-LEAD	583362-2 L.P( <del>583363-1</del> )	583362-2 <span style="border: 1px solid black; padding: 2px;">2</span>
FINISH	LOOSE PIECE COMBINATION NO.	PART NO.

THIS DRAWING IS A CONTROLLED DOCUMENT.		DWN 16SEP67	<b>TE</b> TE Connectivity				
DIMENSIONS: INCHES		CHK -					
TOLERANCES UNLESS OTHERWISE SPECIFIED:		APVD -	NAME				
0 PLC ± -		PRODUCT SPEC	MODIFIED FORK CONTACT				
1 PLC ± -							
2 PLC ± -		APPLICATION SPEC					
3 PLC ± -							
4 PLC ± -			SIZE	CAGE CODE	DRAWING NO	RESTRICTED TO	
ANGLES ± -			A2	00779	C=583362	-	
MATERIAL	FINISH	WEIGHT	CUSTOMER DRAWING		SCALE	SHEET	REV
PHOS. BRONZE	SEE TABLE	-	4:1		1 of 1	B2	

583362

## X-ON Electronics

Largest Supplier of Electrical and Electronic Components

*Click to view similar products for [Standard Card Edge Connectors](#) category:*

*Click to view products by [TE Connectivity](#) manufacturer:*

Other Similar products are found below :

[CR7E-30DB-3.96E\(72\)](#) [6364499-1](#) [6565204-6](#) [PKC-156](#) [1437274-4](#) [147889-1](#) [1489165-4](#) [EBT15622B2X](#) [1-582587-1](#) [284-0102-12100](#)  
[286-0052-12101A](#) [306022901000000](#) [307-012-502-202](#) [307-056-520-300](#) [2129318-1](#) [245-062-520-350](#) [287-0032-12101](#) [306-028-525-102](#)  
[307-072-526-202](#) [345-060-559-303](#) [392-008-559-201](#) [534671-1](#) [341-240-317](#) [345-044-500-300](#) [346-240-318](#) [395-100-524-300](#) [09-07-2032](#)  
[10035388-802LF](#) [10115859-011LF](#) [10122859-009LF](#) [10127905-B04B24BLF](#) [530555-1](#) [5-678046-1](#) [73726-0005](#) [66308-1](#) [1-1437275-6](#)  
[PEC-07-02-T-S-A](#) [346-014-520-801](#) [307-048-502-202](#) [CE100F22-9-C](#) [CE100F26-7-C](#) [CE100F28-3-D](#) [CE156F18-9-C](#) [CE156F22-5-D](#)  
[CE156F22-9-C](#) [CT100F22-2-D](#) [CT100F22-3-D](#) [CT100F24-2-D](#) [CT100F24-3-D](#) [CT100F24-6-C](#)