



AMP

TE Internal #: 58338-1

Portable Crimp Tools, Pneumatic, Base Power Unit (No Crimp Tooling)

[View on TE.com >](#)

Application Tooling > Portable Crimp Tools



Power Technology Type: **Pneumatic**

Tooling Type: **Base Power Unit (No Crimp Tooling)**

Features

Other

Power Technology Type	Pneumatic
Tooling Type	Base Power Unit (No Crimp Tooling)

Product Compliance

[For compliance documentation, visit the product page on TE.com>](#)

EU RoHS Directive 2011/65/EU	Out of Scope
EU ELV Directive 2000/53/EC	Out of Scope
China RoHS 2 Directive MIIT Order No 32, 2016	Not reviewed for China RoHS compliance
EU REACH Regulation (EC) No. 1907/2006	Current ECHA Candidate List: JAN 2021 (211) Candidate List Declared Against: JUN 2016 (169) SVHC > Threshold: Not Yet Reviewed
Halogen Content	Not Yet Reviewed for halogen content
Solder Process Capability	Not applicable for solder process capability

Product Compliance Disclaimer

This information is provided based on reasonable inquiry of our suppliers and represents our current actual knowledge based on the information they provided. This information is subject to change. The part numbers that TE has identified as EU RoHS compliant have a maximum concentration of 0.1% by weight in homogenous materials for lead, hexavalent chromium, mercury, PBB, PBDE, DBP, BBP, DEHP, DIBP, and 0.01% for cadmium, or qualify for an exemption to these limits as defined in the Annexes of Directive 2011/65/EU (RoHS2). Finished electrical and electronic equipment products will be CE marked as required by Directive 2011/65/EU. Components may not be CE marked. Additionally, the part numbers that TE has identified as EU ELV compliant have a maximum concentration of 0.1% by weight in homogenous materials for lead, hexavalent chromium, and mercury, and 0.01% for cadmium, or qualify for an exemption to these limits as defined in the Annexes of Directive 2000/53/EC (ELV). Regarding the REACH Regulations, TE's information on SVHC in articles for this part number is still based on the European Chemical Agency (ECHA) 'Guidance on requirements for

substances in articles' (Version: 2, April 2011), applying the 0.1% weight on weight concentration threshold at the finished product level. TE is aware of the European Court of Justice ruling of September 10th, 2015 also known as O5A (Once An Article Always An Article) stating that, in case of 'complex object', the threshold for a SVHC must be applied to both the product as a whole and simultaneously to each of the articles forming part of its composition. TE has evaluated this ruling based on the new ECHA "Guidance on requirements for substances in articles" (June 2017, version 4.0) and will be updating its statements accordingly.

Compatible Parts



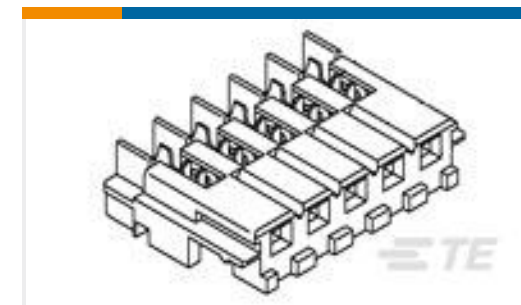
TE Part # 58063-2
HEAD (IDC) HDE-20 W/O TL



TE Part # 177534-3
2.5 M.I.S REC ASSY 3P BLACK



TE Part # 103968-3
5X4 MTE RCPT SR RIBBED .100CL



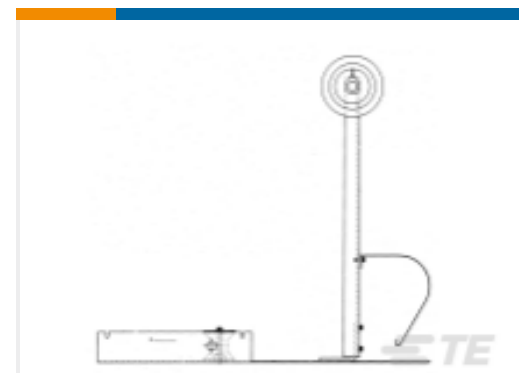
TE Part # 177534-4
2.5 M.I.S REC ASSY 4P BLACK



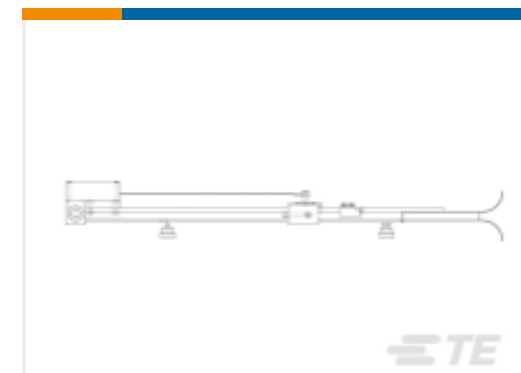
TE Part # 58246-2
MTA 100 CRIMP HEAD PRODUCTION DISCRETE



TE Part # 58247-2
MTA 156 CRIMP HEAD PRODUCTION DISCRETE



TE Part # 853542-1
MTA 100/156 FEED TRACK DEREELEER



TE Part # 853546-1
MTA 100 FEED TRACK W CRIMP HEAD



TE Part # 933567-1
MTA 100 FEED TRACK W CRIMP HEAD PROD



TE Part # 173983-2
AMP CT MT AMP-IN HDR-H NAT 2P



TE Part # 173983-3
AMP CT MT AMP-IN HDR-H NAT 2P



TE Part # 173983-4
AMP CT MT AMP-IN HDR-H NAT 4P



TE Part # 173983-5
AMP CT MT AMP-IN HDR-H NAT 5P



TE Part # 173983-6
AMP CT MT AMP-IN HDR-H NAT 6P



TE Part # 173983-7
AMP CT MT AMP-IN HDR-H NAT 7P



TE Part # 173983-8
AMP CT MT AMP-IN HDR-H NAT 8P

TE Part # 173983-9
AMP CT MT AMP-IN HDR-H NAT 9P

TE Part # 173985-2
AMP CT MT AMP-IN HDR-V NAT 2P

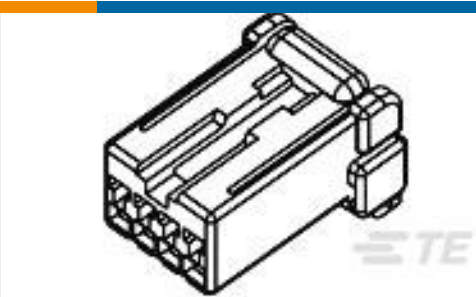
TE Part # 173985-3
AMP CT MT AMP-IN HDR-V NAT 3P

TE Part # 173985-4
AMP CT MT AMP-IN HDR-V NAT 4P

Customers Also Bought



TE Part #206433-2
CPC RECPT ASSEMBLY SIZE 11-8



TE Part #174966-2
040 MLC PLUG HSG 4P BLACK



TE Part #2-1879071-5
THS50 10R 5%



TE Part #20011588-00
8911-A Wireless Accelerometer for POC



TE Part #F51654-000
WV-699191-5-9



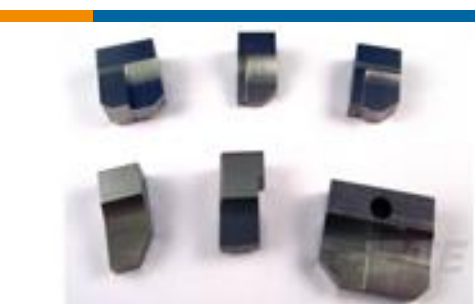
TE Part #2-520181-2
ULTRA-FAST 187 ASY REC 22-18 AWG TPBR



TE Part #1586843-1
01P UMNL CAP HSG NATL, GW



TE Part #2029388-1
04P UMNL SHORT LATCH PLUG GW



TE Part #240655-6
ANVIL



TE Part #1571262-4
SWITCH,TACTILE,SMT,W/BOSS,T&R

Documents

Datasheets & Catalog Pages

MTA Portable Tooling Solutions

English

AMPLIMITE Subminiature D Connectors - Cable Connectors

English

Crimp Term Whitepaper-Use the Right Tool 1-1773953-1

English

CRIMPING WHERE FORM MEETS FUNCTION



English

[Bottoming Dies](#)

English

[AMPMODU MTE INTERCONNECT SYSTEM](#)

English

Instruction Sheets

[Pneumatic Power Bench Assembly; PN 58338-1](#)

[Pneumatic Power Bench Assembly; PN 58338-1](#)

German

[Pneumatic Power Bench Assembly; PN 58338-1](#)

English

[Pneumatic Power Bench Assembly; PN 58338-1](#)

[Pneumatic Power Bench Assembly; PN 58338-1](#)

[Pneumatic Power Bench Assembly; PN 58338-1](#)

French

[Pneumatic Power Bench Assembly; PN 58338-1](#)

Agency Approvals

[CE Declaration of Conformity](#)

[CE Declaration of Conformity](#)

English

[CE Declaration of Conformity](#)

[CE Declaration of Conformity](#)

[CE Declaration of Conformity](#)

[CE Declaration of Conformity](#)

French

[CE Declaration of Conformity](#)

German

X-ON Electronics

Largest Supplier of Electrical and Electronic Components

Click to view similar products for [Spanners](#) category:

Click to view products by [TE Connectivity](#) manufacturer:

Other Similar products are found below :

[74005](#) [74008](#) [1406504-3](#) [1406504-4](#) [1406504-5](#) [1406504-7](#) [1725859-2](#) [9965](#) [999-16625-001](#) [G70515-18](#) [1055265-1](#) [1055267-1](#) [1-1406504-0](#) [1055787-1](#) [DCH.91.251.PA](#) [TG70-18](#) [TG70](#) [DPH.99.005.2K](#) [DCP.91.045.TN](#) [1055512-1](#) [1055276-1](#) [R282303020](#) [TA-0456](#) [DCA.91.149.0TN](#) [TA-0436](#) [TA-0398](#) [TOL-222901](#) [74_Z-0-0-193](#) [64W022-001](#) [294GB-5069-17-N](#) [74_Z-0-0-2](#) [523200-4](#) [294GB-5070-25-A](#) [74_Z-0-0-79](#) [294GB-5070-17-A](#) [74_Z-0-0-321](#) [TOL-171801](#) [PR23350](#) [1490262-2](#) [9968](#) [AC24VS](#) [80117](#) [DCN.91.149.0TK](#) [BT-A-6010CAGE](#) [R282340000](#) [BT-BS-609WT](#) [BT-A-6000B](#) [R282303000](#) [BT-BS-610R](#) [BT-BS-610RT](#)