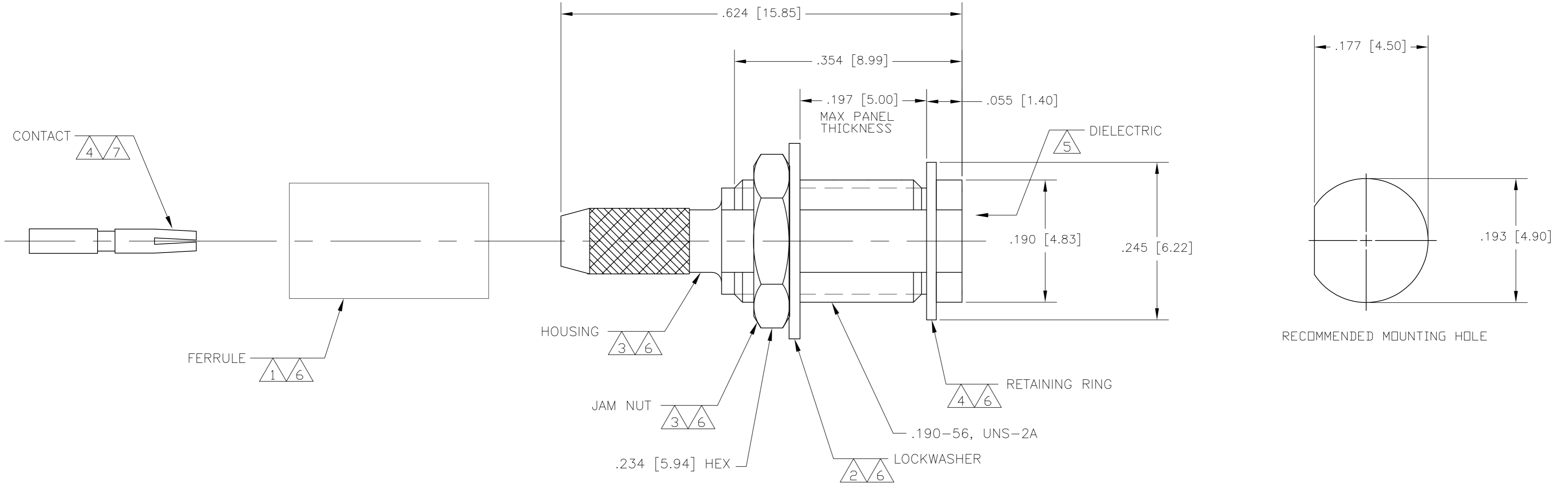


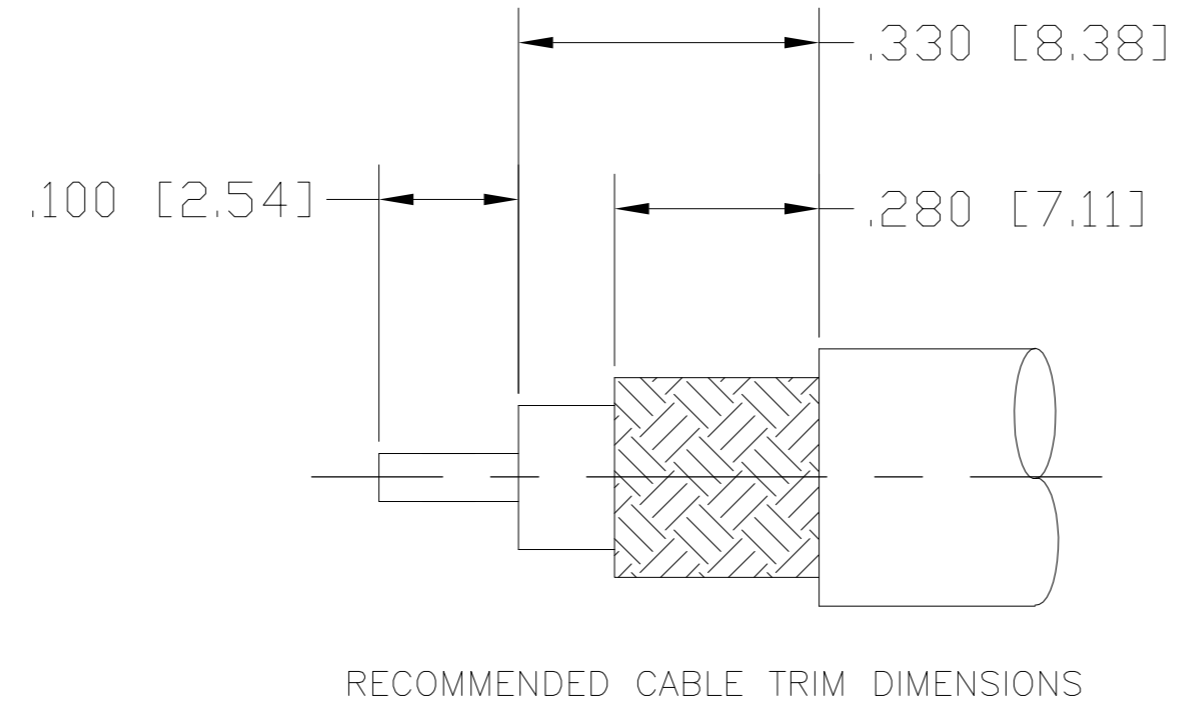
THIS DRAWING IS UNPUBLISHED. RELEASED FOR PUBLICATION
 © COPYRIGHT BY TYCO ELECTRONICS CORPORATION. ALL RIGHTS RESERVED.

LOC	DIST	REVISIONS			
P	LTR	DESCRIPTION	DATE	DWN	APVD
HC	00	REV PER ECO 08-007172	26MAR2008	DW	JL



- 1 COPPER OR BRASS ALLOY
- 2 PHOSPHOR BRONZE PER ASTM-B-139 OR TIN BRASS PER PER ASTM-B-591
- 3 BRASS PER ASTM-B-16
- 4 BERYLLIUM COPPER PER ASTM-B-196
- 5 PTFE PER ASTM-D-1457
- 6 NICKEL PLATE PER QQ-N-290
- 7 GOLD PLATE PER MIL-G-45204

8. THIS PART INCLUDES 6 UNASSEMBLED ITEMS
 9. FOR USE WITH RG-174, 188 & 316 CABLE.



1060883-1
 PART NUMBER

THIS DRAWING IS A CONTROLLED DOCUMENT.		DWN	09APR01	Tyco Electronics Corporation Harrisburg, PA 17105-3608	
DIMENSIONS: INCHES [mm]		CHK	RMF	NAME	
TOLERANCES UNLESS OTHERWISE SPECIFIED:		APVD	RMF	PRODUCT SPEC	
0 PLC ± -		APPLICATION SPEC		408-4645	
1 PLC ± -		WEIGHT		1.0 g/ .037 oz	
2 PLC ± -		CUSTOMER DRAWING		SCALE 10:1	
3 PLC ± .010 [0.25]		SIZE		A2	
4 PLC ± -		CAGE CODE		00779	
ANGLES ± 1		DRAWING NO		C=1060883	
FINISH		RESTRICTED TO		-	
		SHEET		1 of 1	
		REV		C	

X-ON Electronics

Largest Supplier of Electrical and Electronic Components

Click to view similar products for [RF Connectors / Coaxial Connectors](#) category:

Click to view products by [TE Connectivity](#) manufacturer:

Other Similar products are found below :

[8915-1511-000](#) [89674-0827](#) [6001-7071-019](#) [6002-7051-003](#) [6002-7551-202](#) [6059674-1](#) [619550-1](#) [630059-000](#) [M39030/3-01N](#) [6500-7071-046](#) [6769](#) [CX050L2AQ](#) [7002-1541-010](#) [7002-1542-011](#) [7004-1512-000](#) [7009-1511-004](#) [7010-1511-000](#) [7029-1511-060](#) [7101-1541-010](#) [7101-1571-002](#) [7145-1521-002](#) [7203-1571-003](#) [7209-1511-011](#) [7210-1511-015](#) [7210-1511-019](#) [73137-5015](#) [73216-2241](#) [73404-2300](#) [7405-1521-005](#) [7405-1521-802](#) [8527](#) [8547](#) [FS11V](#) [877931](#) [8808-1511-001](#) [9049-9513-000](#) [9074-9513-000](#) [9101-9573-002](#) [910A205F](#) [9130-9573-002](#) [PL11SC-026](#) [PL375-33](#) [PL40-5](#) [PL74C-221](#) [PL75MC-217](#) [PL803-7](#) [1200690078](#) [1-201144-1](#) [R107003010W](#) [R110A172100](#)