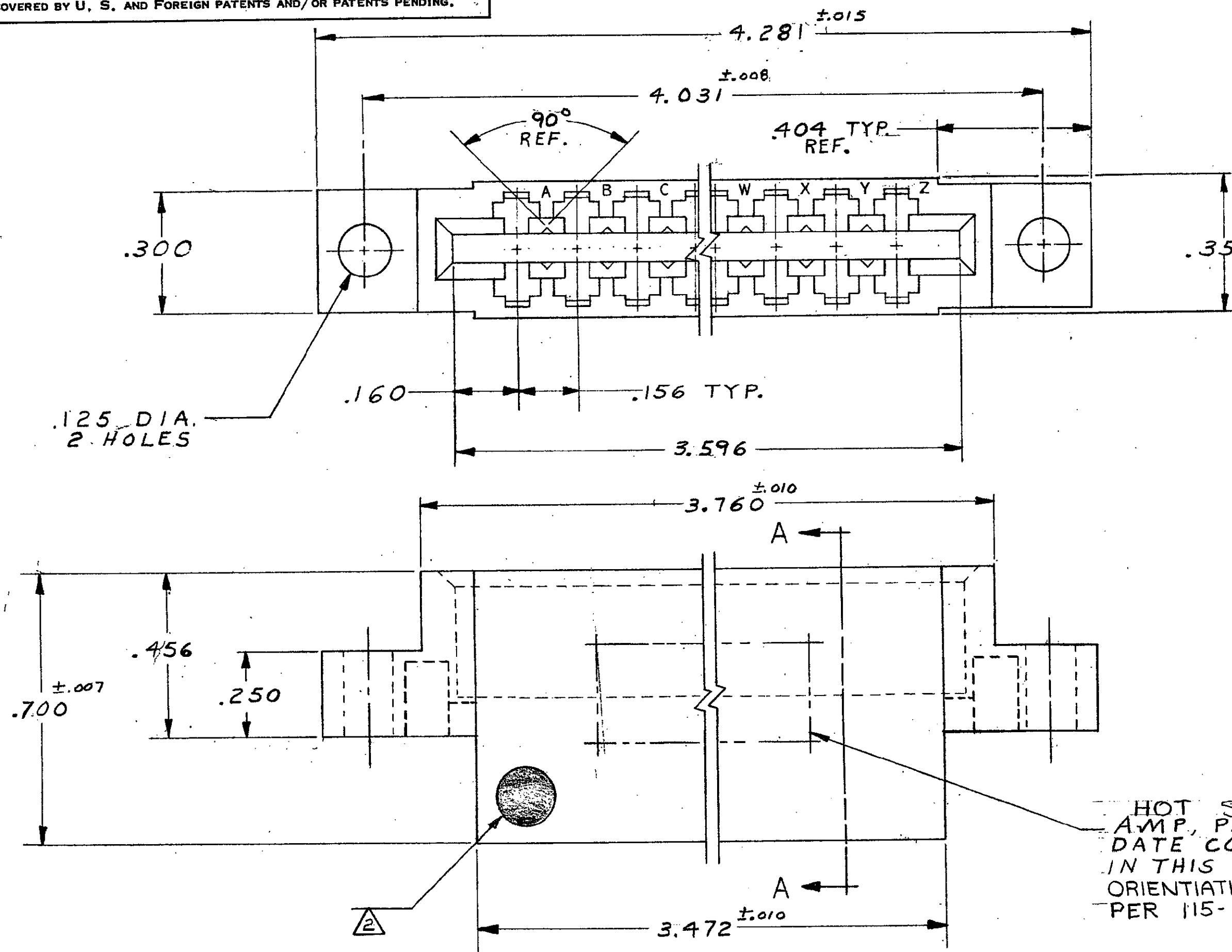
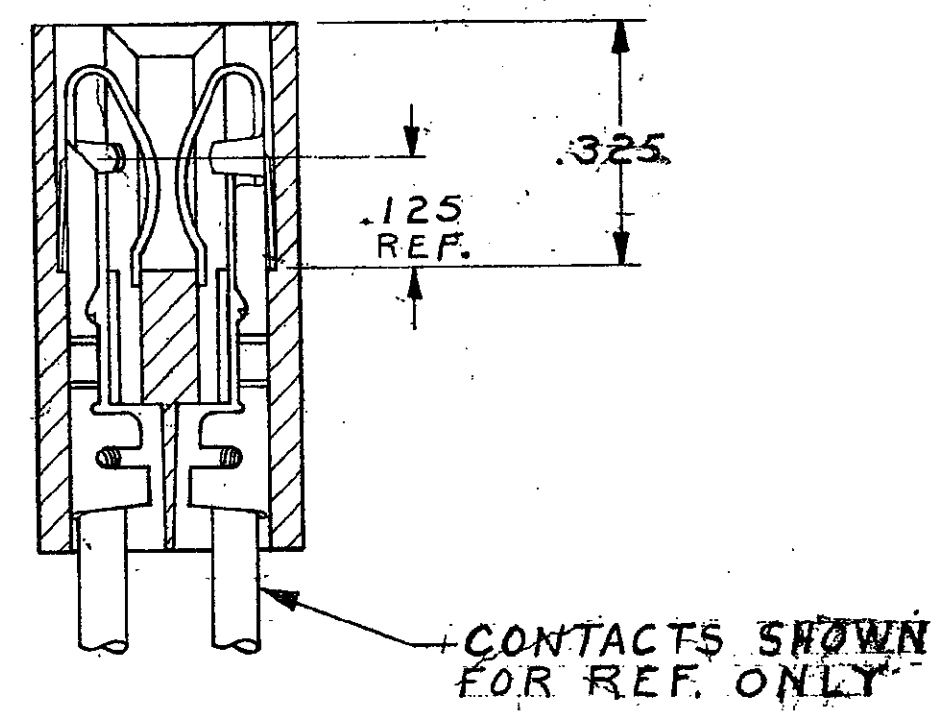


© COPYRIGHT 1970 BY AMP INCORPORATED, HARRISBURG, PA.
 ALL INTERNATIONAL RIGHTS RESERVED. AMP INCORPORATED PRODUCTS
 COVERED BY U. S. AND FOREIGN PATENTS AND/OR PATENTS PENDING.

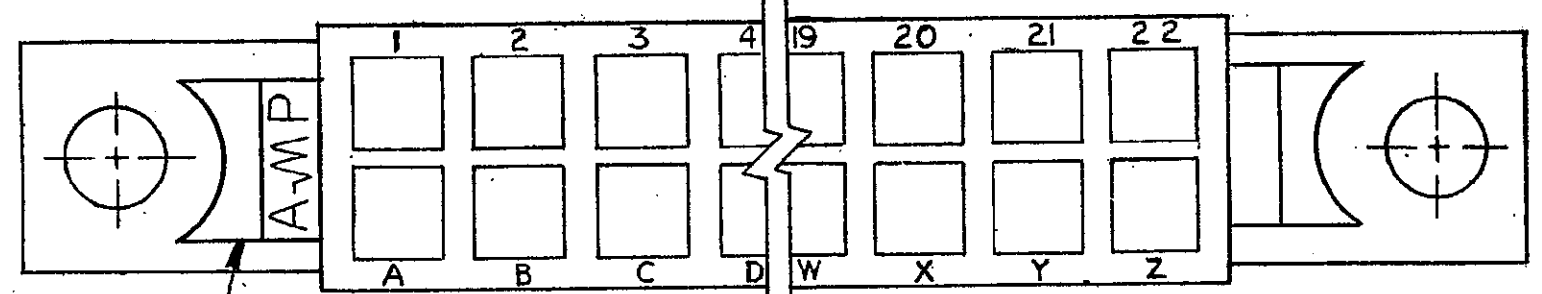
REVISIONS						
P	F	ZONE	LTR	DESCRIPTION	DATE	APPROVED
			F	REV PER 0010-0337-95	10-17-95	P.B./
			G	REV PER EC 0320-349-97	25 MAR 97	NJS
			H	REVISED PER ECO-20-006229		KR/JS 21MAY2020



- 583617-1 I. AS SHOWN
- 583617-3 I. SAME AS -1 EXCEPT: .156 DIA. MTG. HOLES.
- 583617-6 I. SAME AS -1 EXCEPT: WITH SPECIAL MARKING
- OBSOLETE 583617-7 I. SAME AS -3 EXCEPT: .180 DIA. MTG. HOLES.



HOT STAMP AMP, PART NO. & DATE CODE STAMPED IN THIS APPROX. AREA, ORIENTATION OPTIONAL. PER 115-9009.



- 1. .055-.070 P.C. BOARD THICKNESS.
- 2. .250 ±.015 DIA. WHITE DOT INK STAMPED IN LOWER LEFT HAND CORNER ON EITHER SIDE OF HOUSING.
- 3. VOID CORING PERMISSIBLE AT AMP'S OPTION REF ONLY

UNLESS OTHERWISE SPECIFIED DIMENSIONS ARE IN INCHES. TOLERANCES ON: DECIMALS ±.005 ANGLES ±1°		CONTRACT NO 11-26-80		PART NO	
MATERIAL GLASS FILLED NYLON OR POLYESTER COLOR: BLACK		DR <i>A.M. SHARPE</i>		NAME HOUSING, AMP LEAF, 22 POS DUAL	
FINISH		CHK <i>D. Bushey</i> 12-2-80		SIZE CODE IDENT NO DRAWING NO C 00779 583617	
		APPD <i>S. Shym</i> 12-2-80		REV H	
		APPD <i>S. Rueda</i> 12-2-80		SCALE 4:1 SHEET 1 OF 1	
		DSGN APPD			
		OTHER APPD			

X-ON Electronics

Largest Supplier of Electrical and Electronic Components

Click to view similar products for [Standard Card Edge Connectors](#) category:

Click to view products by [TE Connectivity](#) manufacturer:

Other Similar products are found below :

[CR7E-30DB-3.96E\(72\)](#) [6364499-1](#) [6565204-6](#) [PKC-156](#) [1437274-4](#) [147889-1](#) [1489165-4](#) [EBT15622B2X](#) [1-582587-1](#) [284-0102-12100](#)
[286-0052-12101A](#) [306022901000000](#) [307-012-502-202](#) [307-056-520-300](#) [2129318-1](#) [245-062-520-350](#) [287-0032-12101](#) [306-028-525-102](#)
[307-072-526-202](#) [345-060-559-303](#) [392-008-559-201](#) [534671-1](#) [341-240-317](#) [345-044-500-300](#) [346-240-318](#) [395-100-524-300](#) [09-07-2032](#)
[10035388-802LF](#) [10115859-011LF](#) [10122859-009LF](#) [10127905-B04B24BLF](#) [530555-1](#) [5-678046-1](#) [73726-0005](#) [66308-1](#) [1-1437275-6](#)
[PEC-07-02-T-S-A](#) [346-014-520-801](#) [307-048-502-202](#) [CE100F22-9-C](#) [CE100F26-7-C](#) [CE100F28-3-D](#) [CE156F18-9-C](#) [CE156F22-5-D](#)
[CE156F22-9-C](#) [CT100F22-2-D](#) [CT100F22-3-D](#) [CT100F24-2-D](#) [CT100F24-3-D](#) [CT100F24-6-C](#)