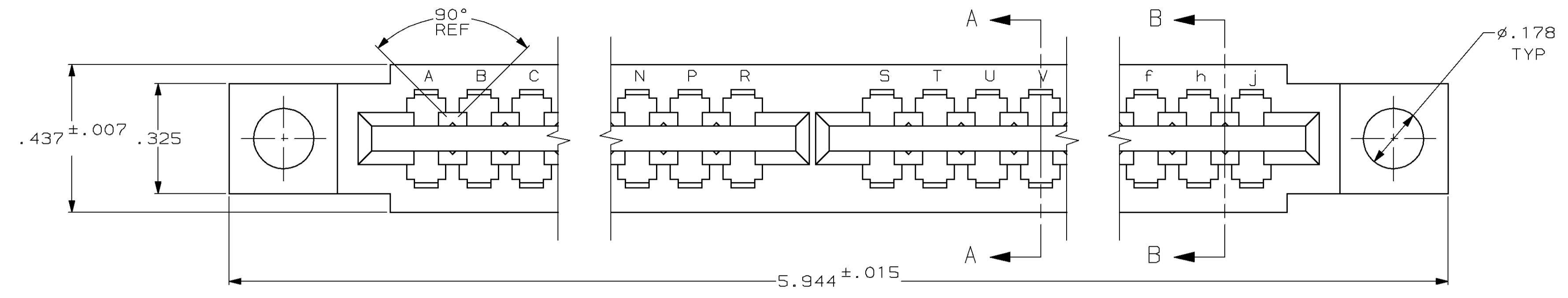
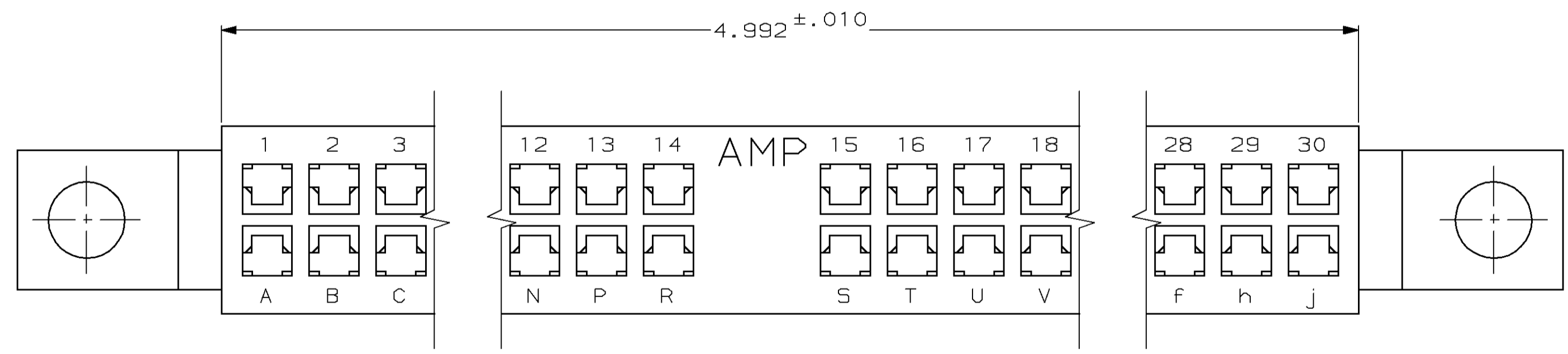
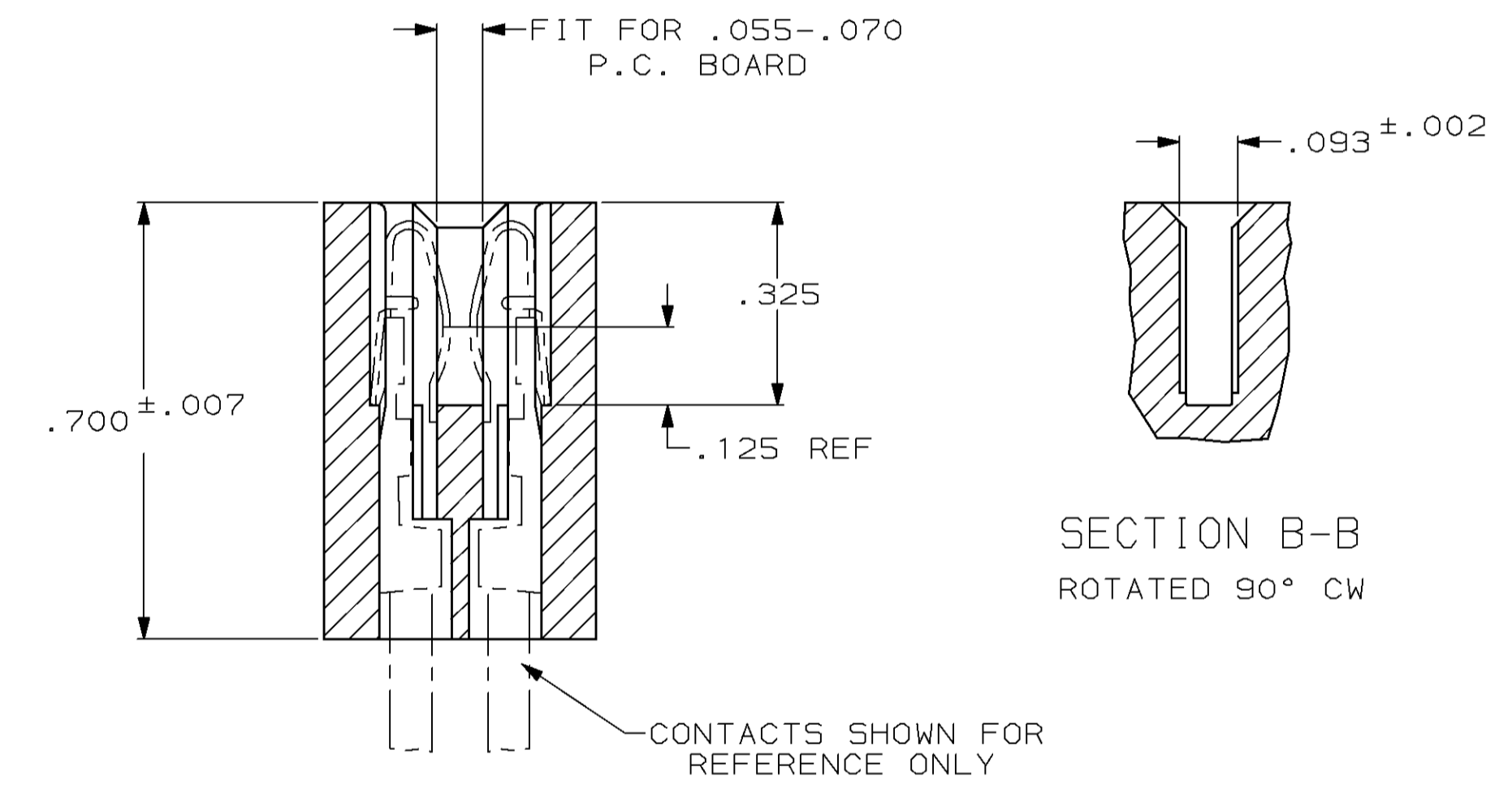
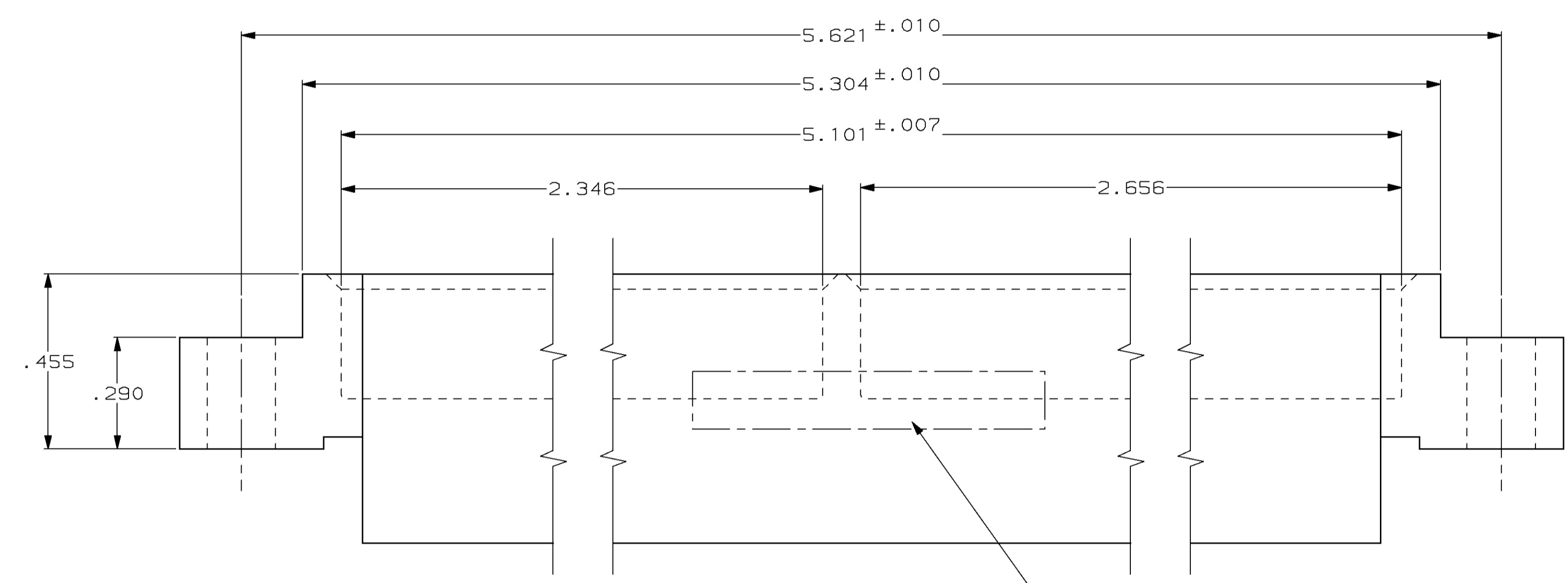


| LOC | | Q1ST | | P | | F | | ZONE | | LTR | | REVISIONS | | | |
|-----|----|------|--|---|--|---|--|------|--|-----|--|-------------|-------------------------------|-----------|----|
| FT | 22 | | | | | | | | | | | DESCRIPTION | DATE | APPD | |
| | | | | | | | | | | | | N | REACTIVATED PER 92-5120-002-1 | 11/4/92 | HR |
| | | | | | | | | | | | | P | REV PER 0010-0184-92 | 6/9/93 | RB |
| | | | | | | | | | | | | R | REV PER 0010-0337-95 | 10-17-95 | PB |
| | | | | | | | | | | | | S | REV PER EC 0320-349-97 | 27 OCT 97 | NS |



△ HOT STAMP AMP PART NUMBER AND DATE CODE IN THIS AREA, PER AMP SPEC. 115-9009.



SECTION A-A
ROTATED 90° CW

SECTION B-B
ROTATED 90° CW

THIS DRAWING IS A CONTROLLED DOCUMENT FOR AMP INCORPORATED. IT IS SUBJECT TO CHANGE AND THE CONTROLLING ENGINEERING ORGANIZATION SHOULD BE CONTACTED FOR THE LATEST REVISION.

| | | | | | |
|---|--|---------------------------|---|--------------------|----------------------|
| DO NOT SCALE PRINT. UNLESS SPECIFIED DIMENSIONS IN mm [INCHES] | | DR 11/4/92 R BROWN | AS SHOWN | | 583631-1 |
| TOLERANCES ON: 1 DIMENSIONS ± .005 2 PLC DEC ± .005 3 PLC DEC ± .005 ANGLES ± - | | CHK 11/26/92 H ROSE | DESCRIPTION | | PART NO |
| MATERIAL POLYESTER COLOR: BLACK | | APPD 11/26/92 H ROSE | AMP Incorporated Harrisburg, PA 17105-3608 | | |
| FINISH - | | APPD 11/26/92 M THUMMA | NAME HOUSING, AMP LEAF 30 DUAL POSITION | | |
| WEIGHT - | | APPLICATION SPEC - | SIZE D | CAGE CODE 00779 | DRAWING NO 583631 |
| | | | SCALE 4:1 | SHEET 1 OF 1 | |

CUSTOMER DRAWING

X-ON Electronics

Largest Supplier of Electrical and Electronic Components

Click to view similar products for [Standard Card Edge Connectors](#) category:

Click to view products by [TE Connectivity](#) manufacturer:

Other Similar products are found below :

[CR7E-30DB-3.96E\(72\)](#) [6364499-1](#) [6565204-6](#) [PKC-156](#) [1437274-4](#) [147889-1](#) [1489165-4](#) [EBT15622B2X](#) [1-582587-1](#) [284-0102-12100](#)
[286-0052-12101A](#) [306022901000000](#) [307-012-502-202](#) [307-056-520-300](#) [2129318-1](#) [245-062-520-350](#) [287-0032-12101](#) [306-028-525-102](#)
[307-072-526-202](#) [345-060-559-303](#) [392-008-559-201](#) [534671-1](#) [341-240-317](#) [345-044-500-300](#) [346-240-318](#) [395-100-524-300](#) [09-07-2032](#)
[10035388-802LF](#) [10115859-011LF](#) [10122859-009LF](#) [10127905-B04B24BLF](#) [530555-1](#) [5-678046-1](#) [73726-0005](#) [66308-1](#) [1-1437275-6](#)
[PEC-07-02-T-S-A](#) [346-014-520-801](#) [307-048-502-202](#) [CE100F22-9-C](#) [CE100F26-7-C](#) [CE100F28-3-D](#) [CE156F18-9-C](#) [CE156F22-5-D](#)
[CE156F22-9-C](#) [CT100F22-2-D](#) [CT100F22-3-D](#) [CT100F24-2-D](#) [CT100F24-3-D](#) [CT100F24-6-C](#)