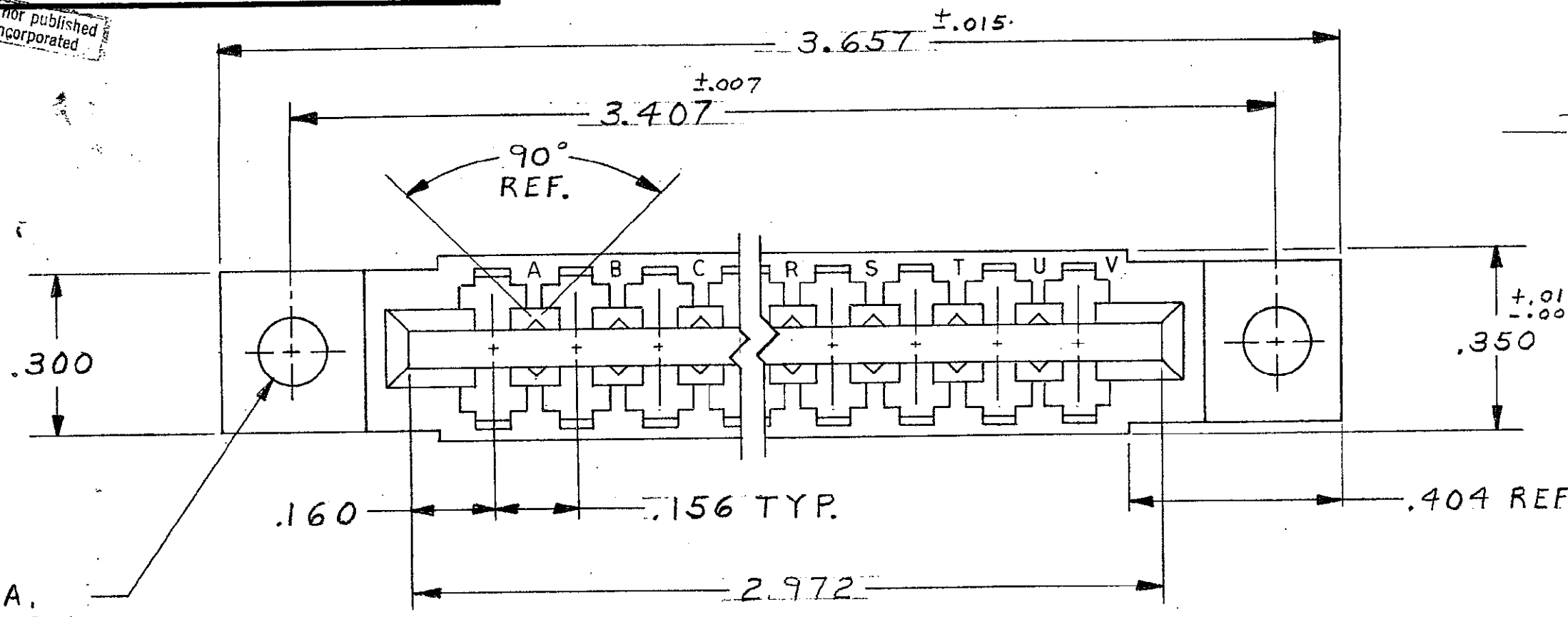
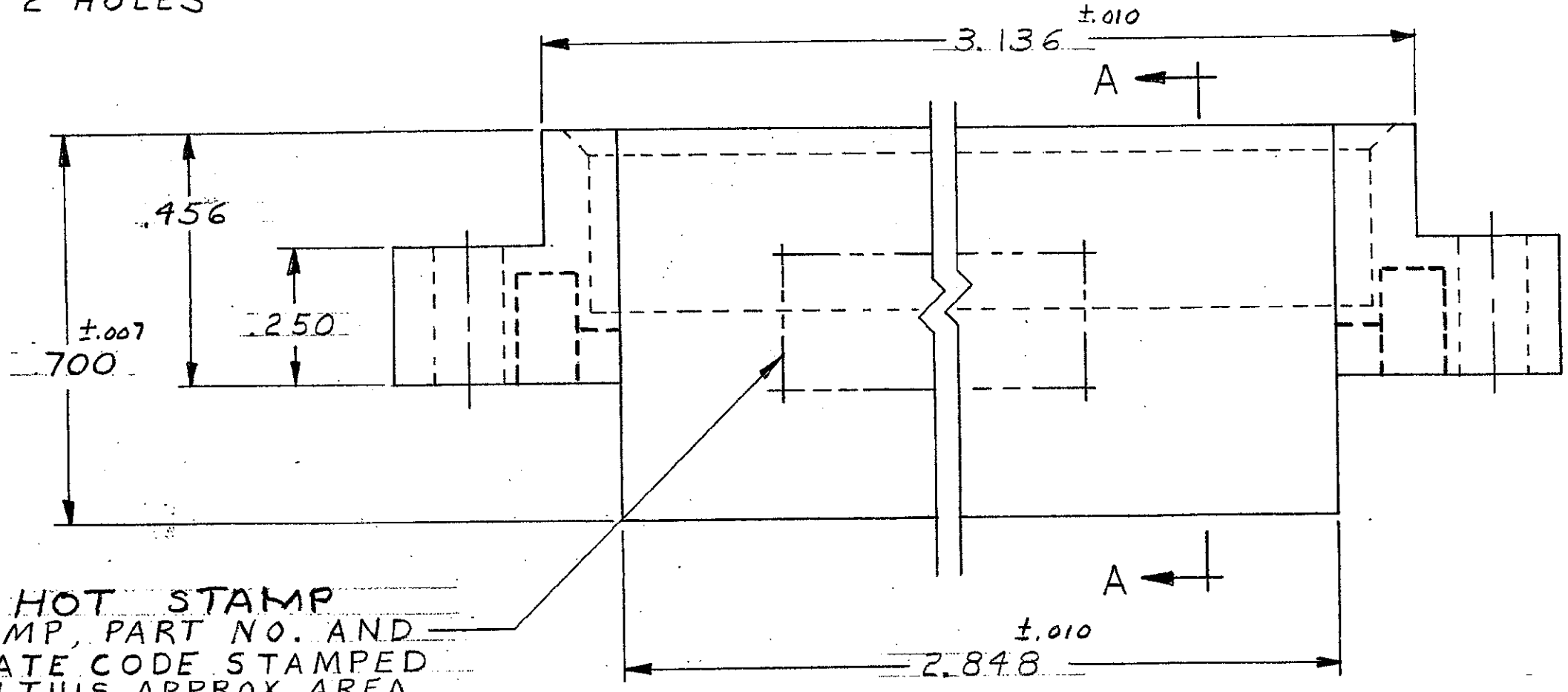


© 1970 BY AMP INCORPORATED. ALL RIGHTS RESERVED. AMP PRODUCTS COVERED BY PATENTS AND/OR PATENTS PENDING.

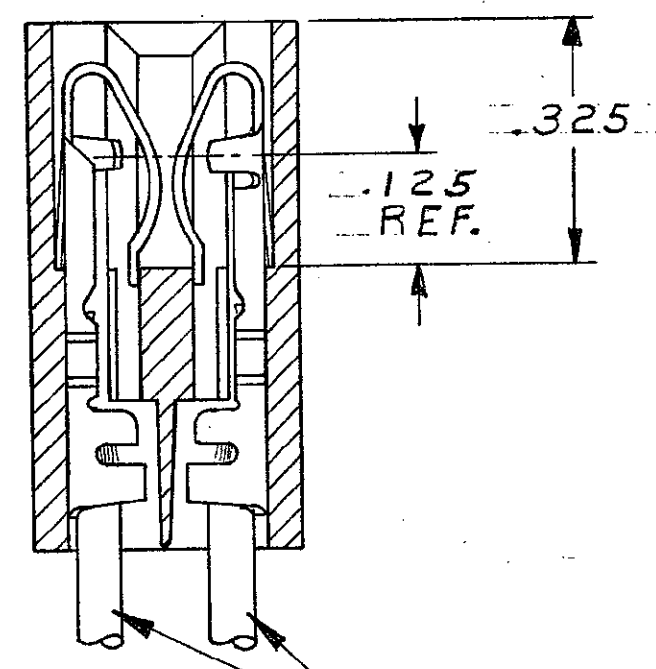
REVISIONS				
ZONE	LTR	DESCRIPTION	DATE	APPROVED
	01	ADDED - 3 WAS 5112-320-2 CUST. 3827 M.S.	6-8-73	M.Z.
	A	REVISED MAT'L 4657-	1-9-76	DR
	B	REV PER AD0702	5/14/85	CP / H.W. RELL
	C	REV PER AD 3180	1/89	AD / H.W. RELL
	D	REV PER 0010-0337-95	10-17-85	P.B.
	E	REV PER EC 0320-349-97	25 NOV 97	N/S
	E1	REVISED PER - ECO-09-026444	27NOV09	KK AEG



583725-1 1. AS SHOWN  
~~583725-3 1. SAME AS -1 EXCEPT .156 DIA. MTG. HOLES.~~

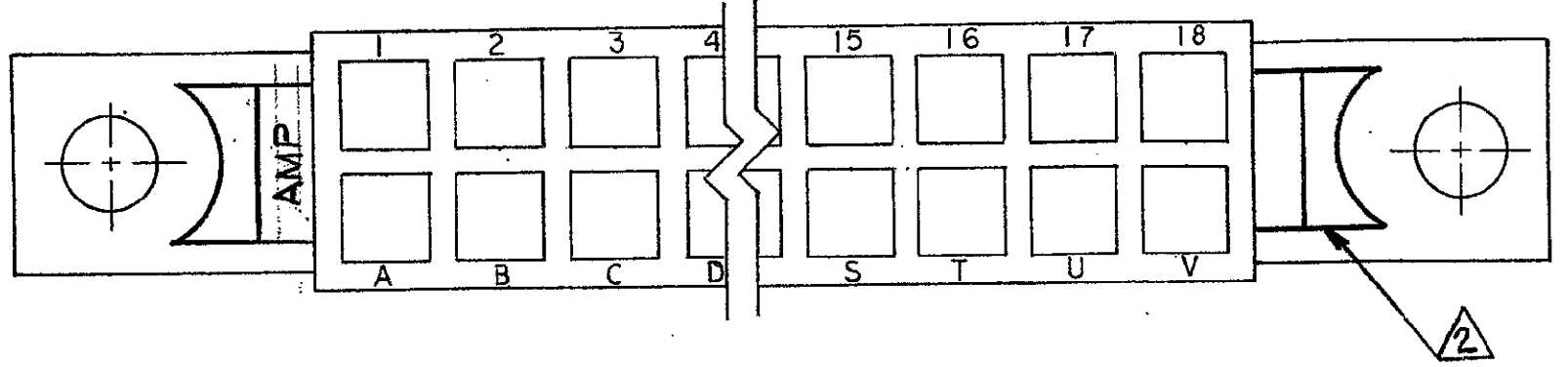


HOT STAMP  
 AMP, PART NO. AND  
 DATE CODE STAMPED  
 IN THIS APPROX. AREA.  
 PER 115-9009.



CONTACTS SHOWN FOR REF. ONLY.

SECT. A-A



1. 0.055 - 0.070 P.C. BOARD THICKNESS  
 2. VOID CORING PERMISSIBLE AT AMP'S OPTION REF ONLY

3. OBSOLETE PARTS: OBSOLETE CIS STREAMLINING PER D.RENAUD/D.SINISI

UNLESS OTHERWISE SPECIFIED, DIMENSIONS ARE IN INCHES TOLERANCES ON : DECIMALS ±.005 ANGLES ±	CONTRACT NO.	AMP INCORPORATED HARRISBURG, PENNSYLVANIA	
	MATERIAL GLASS FILLED NYLON OR POLYESTER COLOR: BLACK.	DR M. Smith 10-1-70	NAME HOUSING, AMP LEAF, 18 POSITION, DUAL.
	CHK D.S. Heide 4/30/71	APPD J. Kaufman 4/30/71	SIZE C
	REL R. Shawman 4/30/71	DSGN APPD	CODE IDENT NO. NUMBER 00779 583725
	OTHER APPD	SCALE 4-1	SHEET 1 OF 1

CUSTOMER DRAWING

## X-ON Electronics

Largest Supplier of Electrical and Electronic Components

*Click to view similar products for [Standard Card Edge Connectors](#) category:*

*Click to view products by [TE Connectivity](#) manufacturer:*

Other Similar products are found below :

[CR7E-30DB-3.96E\(72\)](#) [6364499-1](#) [6565204-6](#) [PKC-156](#) [1437274-4](#) [147889-1](#) [1489165-4](#) [EBT15622B2X](#) [1-582587-1](#) [284-0102-12100](#)  
[286-0052-12101A](#) [306022901000000](#) [307-012-502-202](#) [307-056-520-300](#) [2129318-1](#) [245-062-520-350](#) [287-0032-12101](#) [306-028-525-102](#)  
[307-072-526-202](#) [345-060-559-303](#) [392-008-559-201](#) [534671-1](#) [341-240-317](#) [345-044-500-300](#) [346-240-318](#) [395-100-524-300](#) [09-07-2032](#)  
[10035388-802LF](#) [10115859-011LF](#) [10122859-009LF](#) [10127905-B04B24BLF](#) [530555-1](#) [5-678046-1](#) [73726-0005](#) [66308-1](#) [1-1437275-6](#)  
[PEC-07-02-T-S-A](#) [346-014-520-801](#) [307-048-502-202](#) [CE100F22-9-C](#) [CE100F26-7-C](#) [CE100F28-3-D](#) [CE156F18-9-C](#) [CE156F22-5-D](#)  
[CE156F22-9-C](#) [CT100F22-2-D](#) [CT100F22-3-D](#) [CT100F24-2-D](#) [CT100F24-3-D](#) [CT100F24-6-C](#)