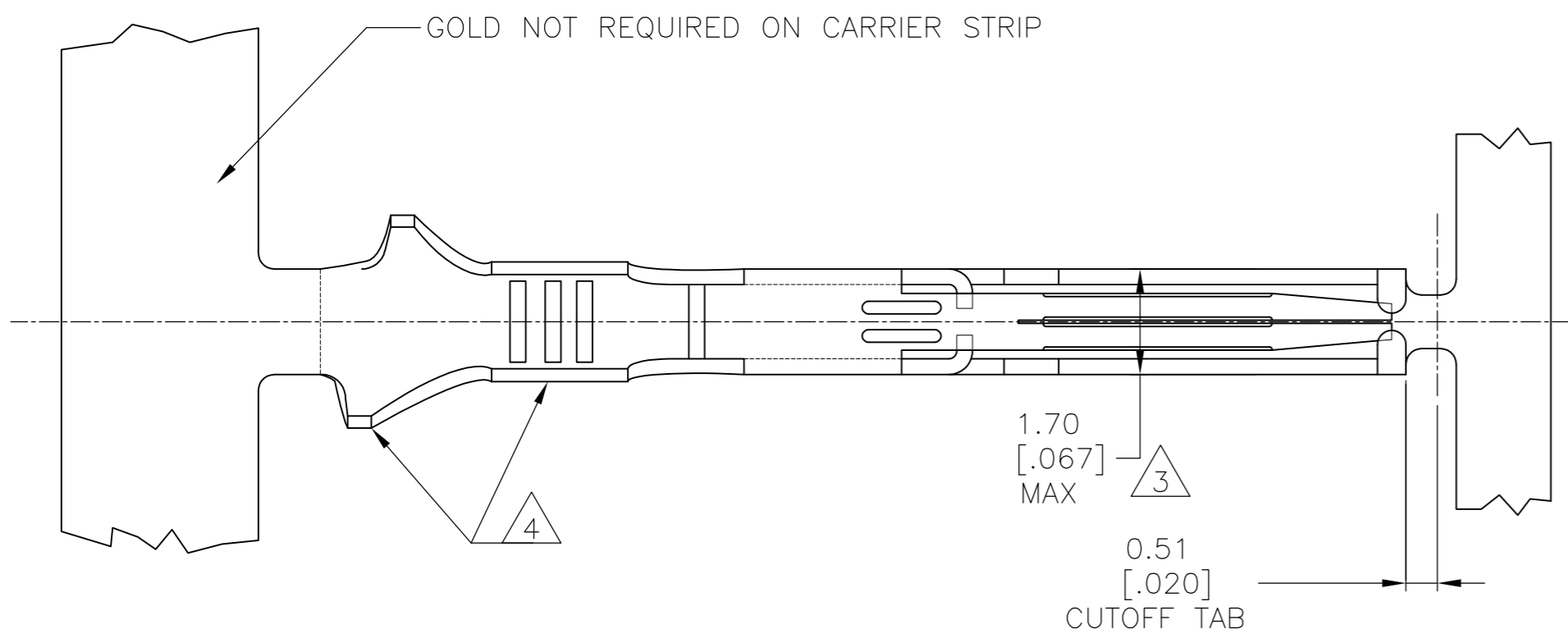
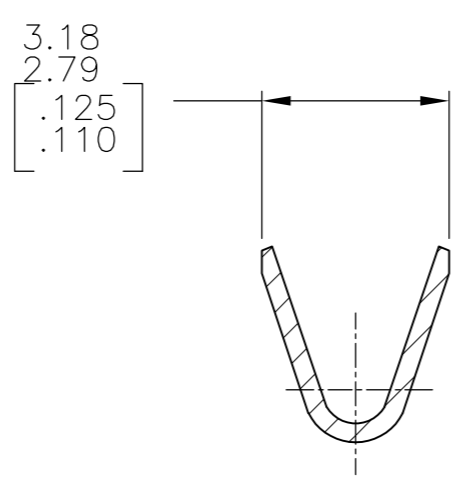
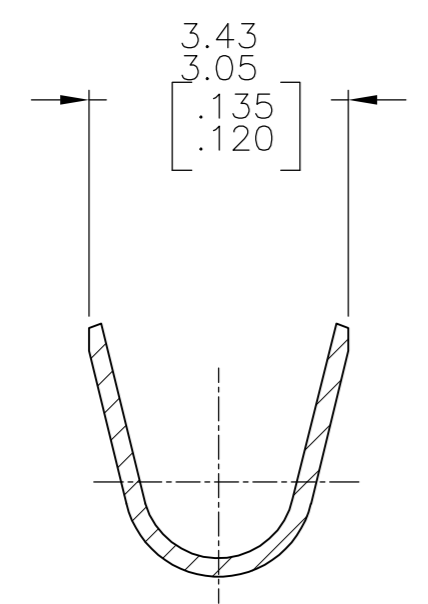
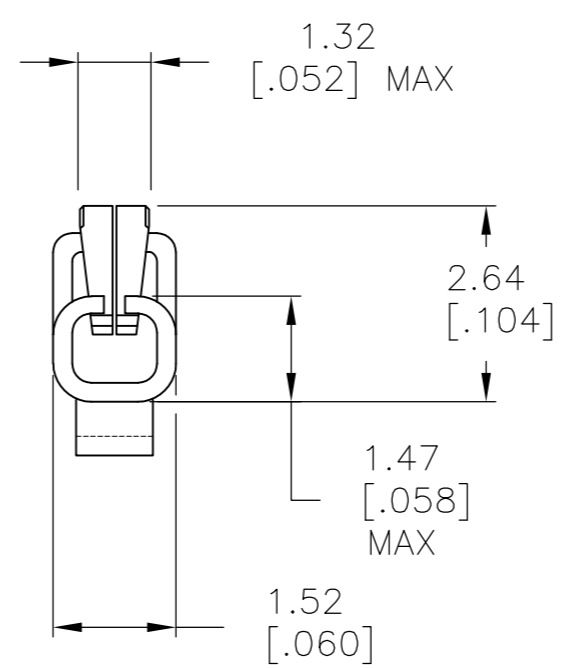
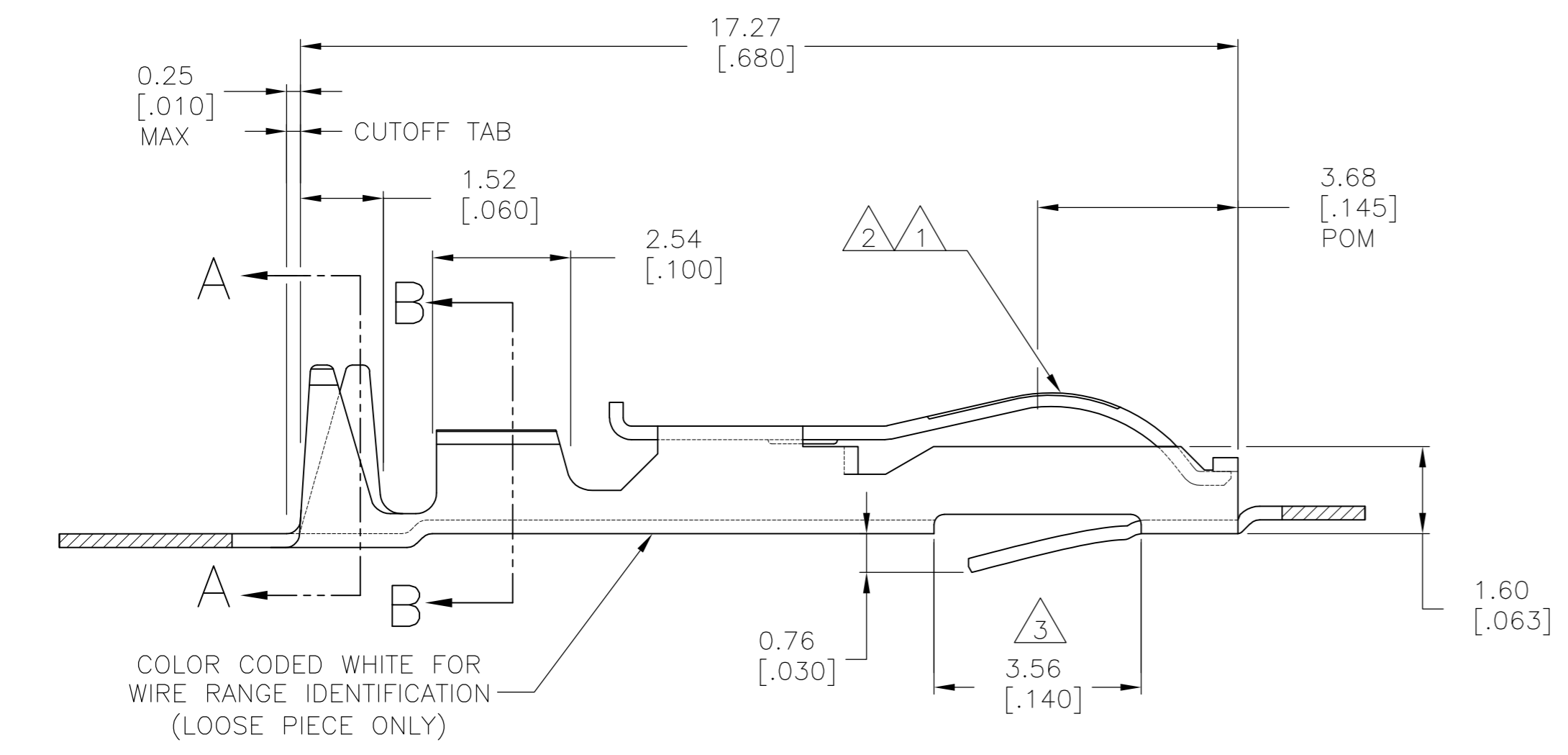


THIS DRAWING IS UNPUBLISHED. RELEASED FOR PUBLICATION  
 © COPYRIGHT BY TYCO ELECTRONICS CORPORATION. ALL RIGHTS RESERVED.

LOC		DIST		REVISIONS			
P	LTR	DESCRIPTION		DATE	DWN	APVD	
	N1	REVISED PER ECO-10-000443		15JAN10	KK	AEG	



- 1 .000050 GOLD OVER .000050 NICKEL IN CONTACT AREA. REMAINDER OF CONTACT GOLD FLASH OVER NICKEL.
- 2 .000030 GOLD OVER .000030 NICKEL IN CONTACT AREA. REMAINDER OF CONTACT GOLD FLASH OVER NICKEL.
- 3 .067 MAX ALLOWED IN LOCKING LATCH AREA FOR .140 REF LENGTH.
- 4 TIN-LEAD IN CRIMP AREA.
- 5 OBSOLETE
- 6 CRIMP TWIN LEAF CONTACTS WITH 20-16 AWG WIRE RANGE TO BE USED ONLY WITH .125CL & 156 CL CRIMP TWIN LEAF HOUSINGS.
- 7 TIN IN CRIMP AREA.



5-583875-5	-	2 7	5-583875-6
583875-5	-	2 4	583875-6
583875-2	583875-4	1	583875-3
STRIP PART # STD REELING LEFT TO RIGHT	STRIP PART # REELING RIGHT TO LEFT	FINISH	LOOSE PIECE

THIS DRAWING IS A CONTROLLED DOCUMENT.

DWN	A. STAUB BG	02AUG93	Tyco Electronics Corporation Harrisburg, PA 17105-3608
CHK	H ROSE	07MAR94	
APVD	H ROSE	07MAR94	
PRODUCT SPEC	NAME		
DIMENSIONS: mm [INCHES] TOLERANCES UNLESS OTHERWISE SPECIFIED: 0 PLC ± - 1 PLC ± - 2 PLC ± - 3 PLC ± .005 4 PLC ± - ANGLES ± - MATERIAL PHOS BRONZE FINISH SEE TABLE			APPLICATION SPEC WEIGHT - CUSTOMER DRAWING
SECTION A-A INSULATION RANGE .073-.090 DIA		SECTION B-B WIRE RANGE #16-#20	
SIZE A2 CAGE CODE 00779 DRAWING NO C=583875		RESTRICTED TO - SCALE 10:1 SHEET 1 OF 1 REV N1	

## X-ON Electronics

Largest Supplier of Electrical and Electronic Components

*Click to view similar products for [Standard Card Edge Connectors](#) category:*

*Click to view products by [TE Connectivity](#) manufacturer:*

Other Similar products are found below :

[CR7E-30DB-3.96E\(72\)](#) [6364499-1](#) [6565204-6](#) [PKC-156](#) [1437274-4](#) [147889-1](#) [1489165-4](#) [EBT15622B2X](#) [1-582587-1](#) [284-0102-12100](#)  
[286-0052-12101A](#) [306022901000000](#) [307-012-502-202](#) [307-056-520-300](#) [2129318-1](#) [245-062-520-350](#) [287-0032-12101](#) [306-028-525-102](#)  
[307-072-526-202](#) [345-060-559-303](#) [392-008-559-201](#) [534671-1](#) [341-240-317](#) [345-044-500-300](#) [346-240-318](#) [395-100-524-300](#) [09-07-2032](#)  
[10035388-802LF](#) [10115859-011LF](#) [10122859-009LF](#) [10127905-B04B24BLF](#) [530555-1](#) [5-678046-1](#) [73726-0005](#) [66308-1](#) [1-1437275-6](#)  
[PEC-07-02-T-S-A](#) [346-014-520-801](#) [307-048-502-202](#) [CE100F22-9-C](#) [CE100F26-7-C](#) [CE100F28-3-D](#) [CE156F18-9-C](#) [CE156F22-5-D](#)  
[CE156F22-9-C](#) [CT100F22-2-D](#) [CT100F22-3-D](#) [CT100F24-2-D](#) [CT100F24-3-D](#) [CT100F24-6-C](#)