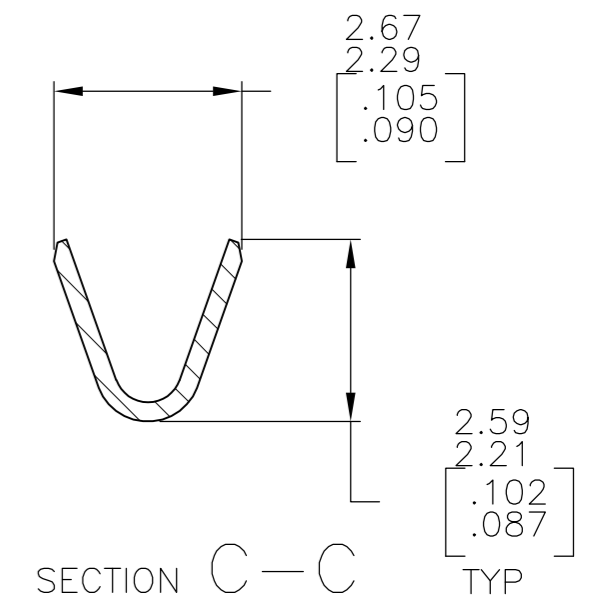
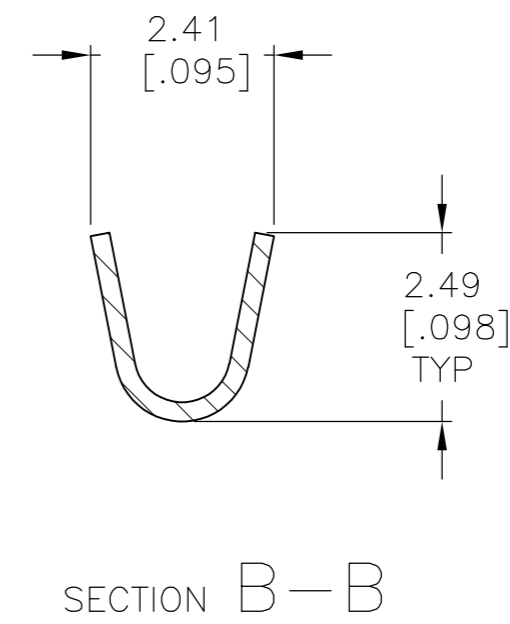
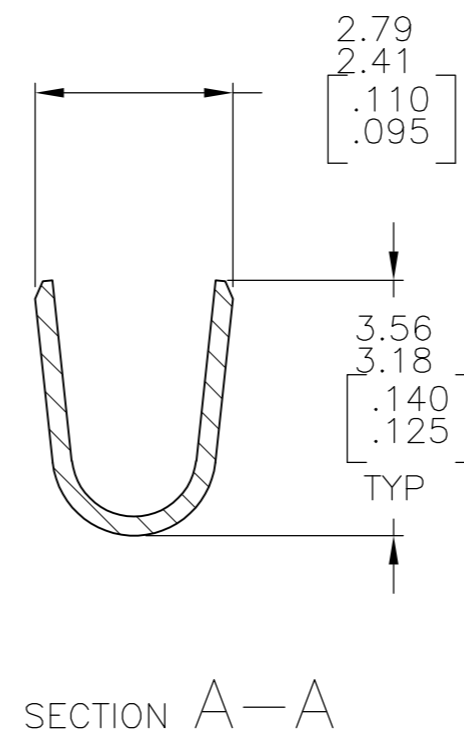
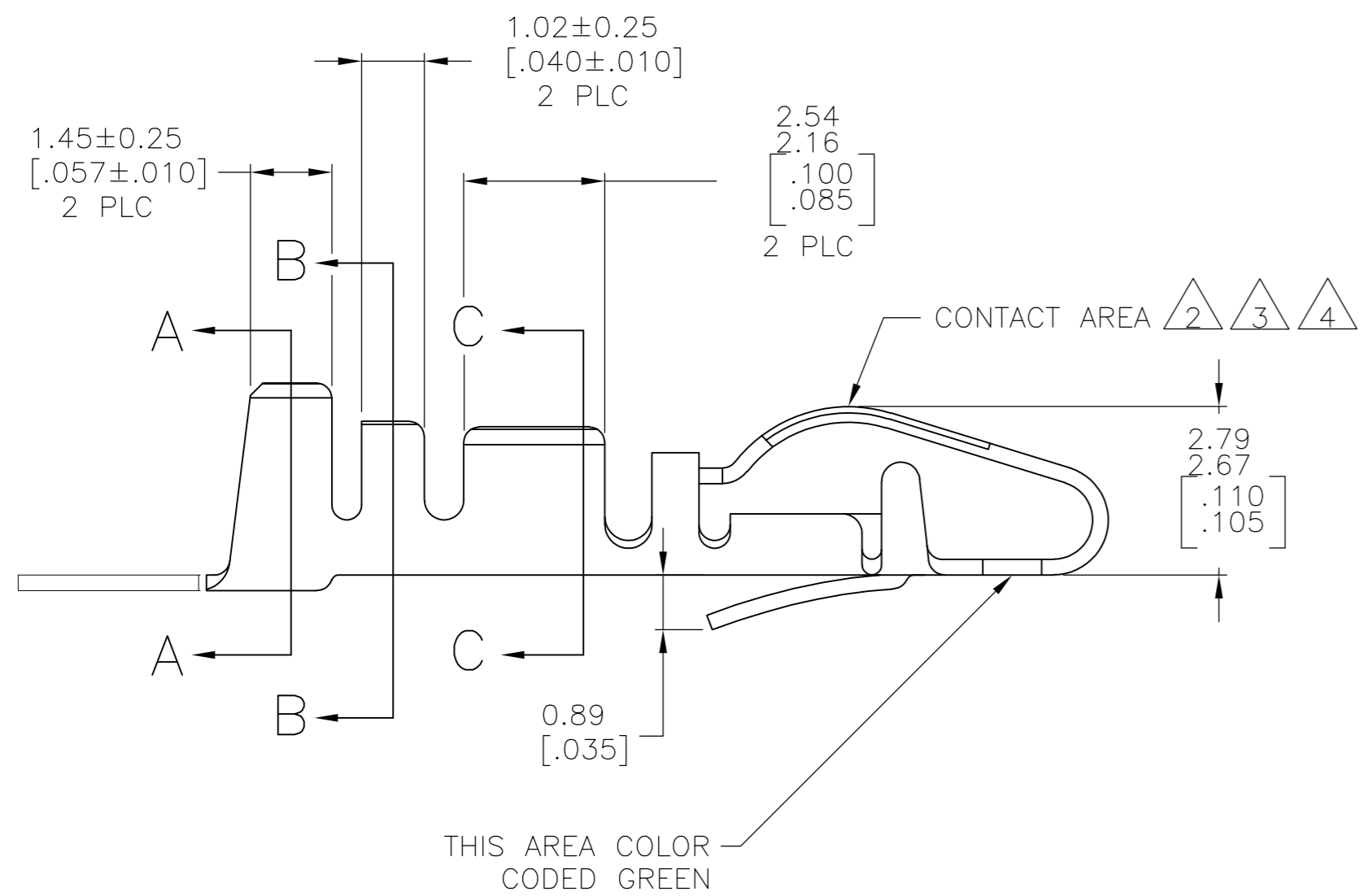
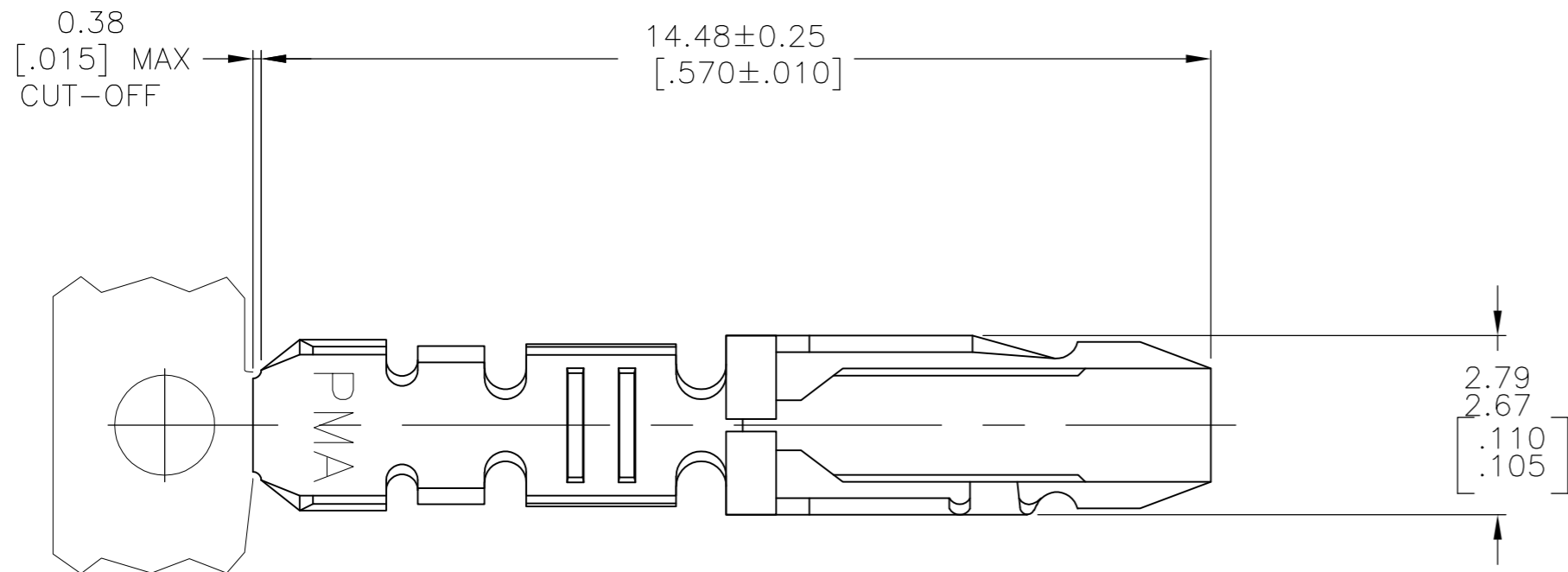


THIS DRAWING IS UNPUBLISHED. RELEASED FOR PUBLICATION  
 © COPYRIGHT BY TYCO ELECTRONICS CORPORATION. ALL RIGHTS RESERVED.

LOC	DIST	REVISIONS			
P	LTR	DESCRIPTION	DATE	DWN	APVD
J		ECO-05-004683	19JAN06	BSV	MM
J1		REVISED PER ECO-09-021510	12SEP09	KK	AEG



- 1 PHOSPHOR BRONZE.
- 2 2.54µm[.000100] MIN TIN-LEAD OVER 1.27µm[.000050] MIN NICKEL.
- 3 0.76µm[.000030] MIN GOLD IN CONTACT AREA, GOLD FLASH ON REMAINDER OF CONTACT, BOTH OVER 1.27µm[.000050] MIN NICKEL.
- 4 0.38µm[.000015] MIN GOLD IN CONTACT AREA OVER 1.27µm[.000050] MIN NICKEL.
- 5. INSULATION RANGE: 1.40-2.03[.055-.080] DIA.
- 6 2.54µm[.000100] MIN MATTE TIN PLATE OVER 1.27µm[.000050] MIN NICKEL.
- 7 OBSOLETE PARTS: OBSOLETE CIS STREAMLINING PER D.RENAUD/D.SINISI

OBSOLETE	6	5-583989-2
	4	583989-4
	3	583989-3
OBSOLETE	2	583989-2
	FINISH	PART NUMBER

THIS DRAWING IS A CONTROLLED DOCUMENT.		DWN D.HARDY 28 AUG 97	Tyco Electronics Corporation Harrisburg, Pa 17105-3608	
DIMENSIONS: mm		CHK R.STONE 04 SEP 97	NAME CONTACT, 22-18 AWG, AMP-LEAF TM	
TOLERANCES UNLESS OTHERWISE SPECIFIED:		APVD N.SCHROLL 05 SEP 97	SIZE A2 CAGE CODE 00779 DRAWING NO C=583989 RESTRICTED TO	
0 PLC ± -		PRODUCT SPEC	WEIGHT -	
1 PLC ± -		APPLICATION SPEC	SCALE 10:1 SHEET 1 OF 1 REV J1	
2 PLC ± 0.13 [.005]		FINISH	CUSTOMER DRAWING	
3 PLC ± -		SEE TABLE		
4 PLC ± -				
ANGLES ± -				
MATERIAL 1				

## X-ON Electronics

Largest Supplier of Electrical and Electronic Components

*Click to view similar products for [Standard Card Edge Connectors](#) category:*

*Click to view products by [TE Connectivity](#) manufacturer:*

Other Similar products are found below :

[CR7E-30DB-3.96E\(72\)](#) [6364499-1](#) [6565204-6](#) [PKC-156](#) [1437274-4](#) [147889-1](#) [1489165-4](#) [EBT15622B2X](#) [1-582587-1](#) [284-0102-12100](#)  
[286-0052-12101A](#) [306022901000000](#) [307-012-502-202](#) [307-056-520-300](#) [2129318-1](#) [245-062-520-350](#) [287-0032-12101](#) [306-028-525-102](#)  
[307-072-526-202](#) [345-060-559-303](#) [392-008-559-201](#) [534671-1](#) [341-240-317](#) [345-044-500-300](#) [346-240-318](#) [395-100-524-300](#) [09-07-2032](#)  
[10035388-802LF](#) [10115859-011LF](#) [10122859-009LF](#) [10127905-B04B24BLF](#) [530555-1](#) [5-678046-1](#) [73726-0005](#) [66308-1](#) [1-1437275-6](#)  
[PEC-07-02-T-S-A](#) [346-014-520-801](#) [307-048-502-202](#) [CE100F22-9-C](#) [CE100F26-7-C](#) [CE100F28-3-D](#) [CE156F18-9-C](#) [CE156F22-5-D](#)  
[CE156F22-9-C](#) [CT100F22-2-D](#) [CT100F22-3-D](#) [CT100F24-2-D](#) [CT100F24-3-D](#) [CT100F24-6-C](#)