

# Thermofit<sup>®</sup> Molded Parts Specification Control Drawing

Part Number : 342A3XX  
Description : Splice Encapsulator

### NOTES

- All dimensions are in  $\frac{\text{inches}}{\text{[millimeters]}}$
- Dimensions appearing in table are as follows:  
a - As Supplied  
b - After Unrestricted Recovery
- Coating is optional. As supplied dimensions appearing in table are for uncoated parts. When coating is added, entry diameters will be reduced by .06 max.

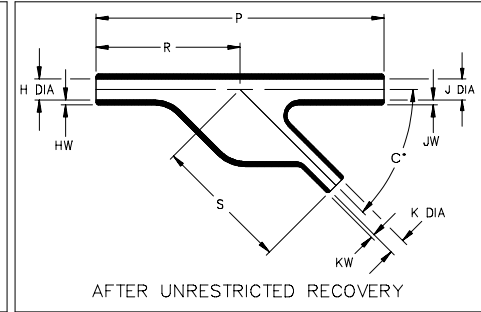
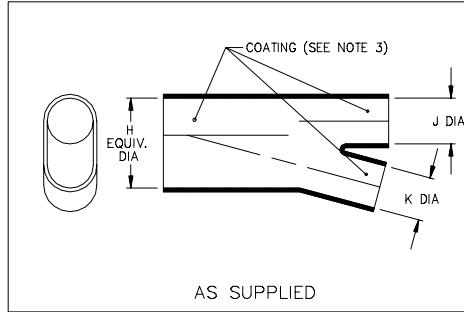


TABLE OF DIMENSIONS

PART NUMBER	H		J		K		P	R	S	HW	JW	KW	C
	Min	Max	Min	Max	Min	Max	±10%	±10%	±10%	±20%	±20%	±20%	±5%
	a	b	a	b	a	b	b	b	b	b	b	b	b
342A313	1.10 [27,9]	.39 [9,9]	.71 [18,0]	.39 [9,9]	.52 [13,2]	.29 [7,3]	4.50 [114,3]	2.25 [57,1]	2.12 [53,8]	.08 [2,0]	.08 [2,0]	.06 [1,5]	45°
342A323	1.62 [41,1]	.55 [14,0]	.95 [24,1]	.55 [14,0]	.52 [13,2]	.33 [8,4]	5.44 [138,2]	2.97 [75,4]	2.67 [67,8]	.10 [2,5]	.10 [2,5]	.06 [1,5]	45°

**Raychem**

RAYCHEM CORPORATION  
300 CONSTITUTION DRIVE  
MENLO PARK, CALIFORNIA 94025  
(415) 361-6055

Revision : J  
Date : 8/6/92

Part Number : 342A3XX  
Description : Splice Encapsulator

# Thermofit<sup>®</sup> Molded Parts Specification Control Drawing

Part Number : 342A3XX  
Description : Splice Encapsulator

MATERIAL DASH NO.	MATERIAL DESCRIPTION	RT SPEC	COATING SLASH NO.	COATING S NO.	COATING DESCRIPTION
-3	Polyolefin, Semi-rigid	RT-301	/42, /87	S-1017, S-1052	Adhesive
-4	Polyolefin, Flexible	RT-1304	/42, /87	S-1017, S-1052	Adhesive
-25	Elastomer, Fluid Resistant	RT-1325	/42, /87	S-1017, S-1052	Adhesive

ORDERING INFORMATION

342A3XX -XX -XX /XX

Base part number \_\_\_\_\_

Material dash number \_\_\_\_\_  
(See Compatability Chart)

Modification number \_\_\_\_\_  
(If necessary, see front of scd binder for a complete list)

Adhesive slash number \_\_\_\_\_  
(If necessary, see Compatability Chart)

THIS DRAWING IS SUBJECT TO CHANGE WITHOUT NOTICE; CONSULT YOUR NEAREST FIELD REPRESENTATIVE FOR CURRENT REVISION

**Raychem**

RAYCHEM CORPORATION  
300 CONSTITUTION DRIVE  
MENLO PARK, CALIFORNIA 94025  
(415) 361-6055

Revision : J  
Date : 8/6/92

Part Number : 342A3XX  
Description : Splice Encapsulator

CAD FILE MP92330

## X-ON Electronics

Largest Supplier of Electrical and Electronic Components

*Click to view similar products for [Heat Shrink Cable Boots & End Caps](#) category:*

*Click to view products by [TE Connectivity](#) manufacturer:*

Other Similar products are found below :

[577159N001](#) [007758-000](#) [610368N003](#) [618803-000](#) [645494-000](#) [M85049/141-02HU](#) [M85049/141-03HU](#) [M85049/141-04HU](#) [687025-000](#)  
[705331-000](#) [718446-000](#) [725666N001](#) [729257-000](#) [F21914-000](#) [F27131-000](#) [F85868-000](#) [770-006A103R](#) [770-006A304W1](#) [770-](#)  
[006A305W1](#) [770-006A308W1](#) [770-011T303W1](#) [770-011T304W1](#) [770-020S702W1](#) [770-020S704W1](#) [806542N001](#) [807507-000](#) [808059-000](#)  
[808296-000](#) [808362-000](#) [808828-000](#) [809125-000](#) [809130-000](#) [809218-000](#) [811218-000](#) [811288-000](#) [812014-000](#) [812047-000](#) [813166-000](#)  
[813767N002](#) [814417-000](#) [819115N001](#) [819117N001](#) [823026-000](#) [823070-000](#) [825002-000](#) [841189N001](#) [861471-000](#) [866647-000](#) [937577-](#)  
[000](#) [950764-000](#)