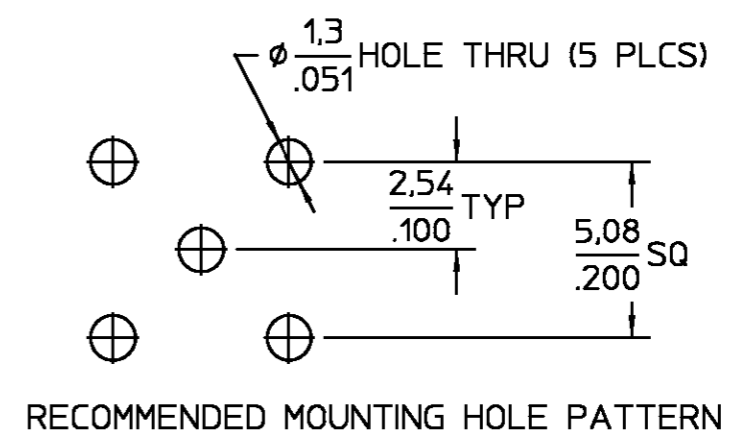
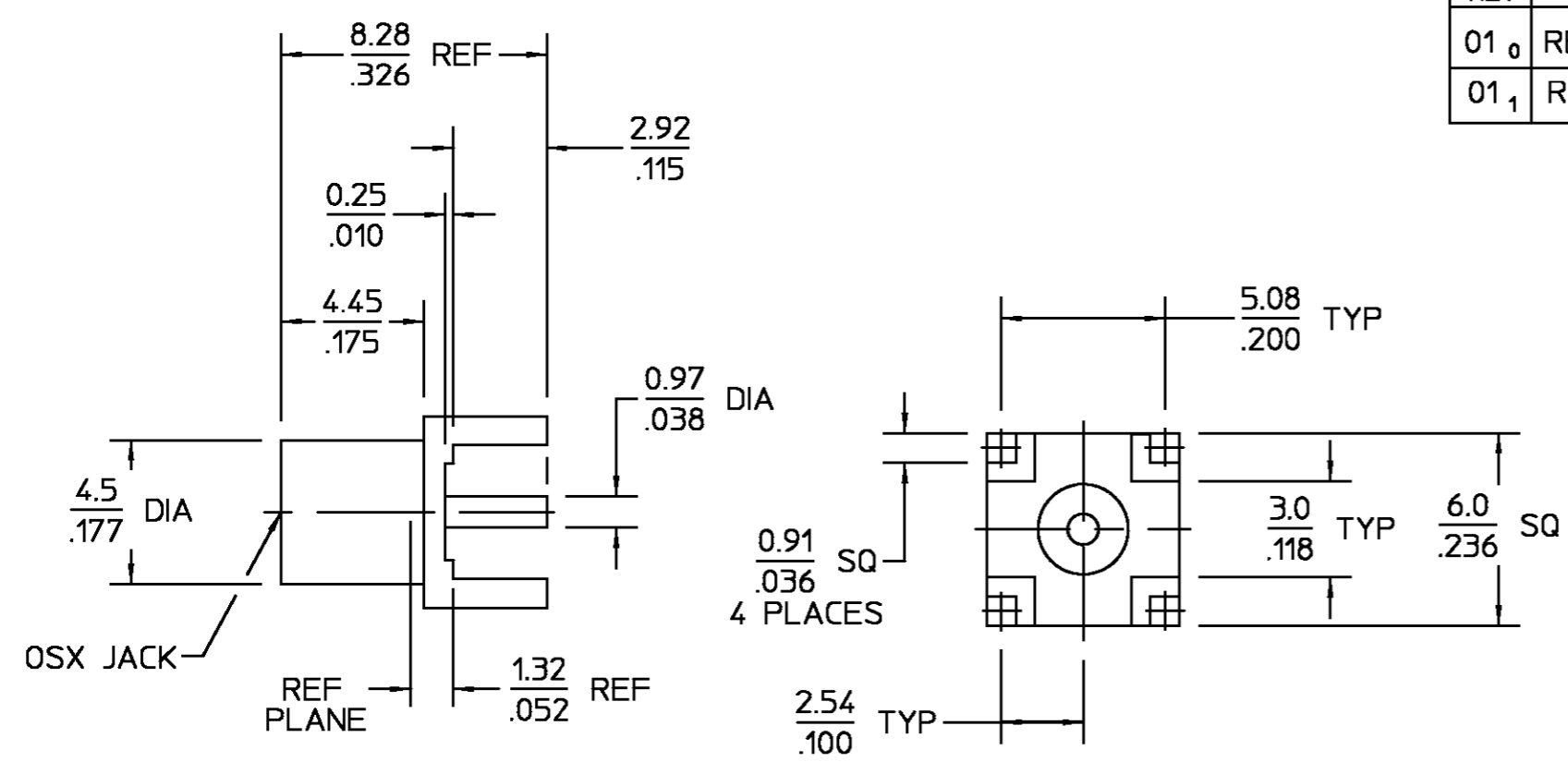


REVISIONS			
REV	DESCRIPTION	DATE	APPROVED
01 ₀	RELEASED	08/25/95	<i>[Signature]</i>
01 ₁	REVISED	DM 3/15/99	<i>[Signature]</i> 3/16/99



RECOMMENDED MOUNTING HOLE PATTERN

CAPTURED CENTER CONTACT

ELECTRICAL	MECHANICAL	ENVIRONMENTAL	HOUSING	MATERIAL	FINISH
Nominal Impedance (Ohms) <u>50</u> Frequency Range (GHz) <u>DC TO 6.0</u> Voltage Rating (VRMS MAX) <u>335 @ Sea level</u> VSWR <u>N/A</u> Insertion Loss <u>N/A</u> Corona, 70,000 Ft (VRMS MIN) <u>250</u> D.W.V. (VRMS MIN) <u>1000</u> Contact Resistance Center Contact (Milliohms MAX) <u>5.0</u> Outer Contact (Milliohms MAX) <u>1.0</u> RF High Potential (VRMS MIN @ 5 MHz) <u>670</u> I.R. (Megohms Min) <u>10,000</u>	Force to Engage: (Lbs) <u>3.4 MAX</u> Force to Disengage: (Lbs) <u>1.77 MIN - 4.5 MAX</u> Center Contact Captivation: <u>Axial 4.5lbs @ 1 minute</u> <u>with .006" displacement</u> <u>XX.XX = mm</u> <u>.XXX = in</u>	Temperature Rating <u>-65°C to +165°C</u> Vibration <u>MIL-STD-202, Method 204,</u> <u>Condition B</u> Thermal shock <u>MIL-STD-202, Method 107,</u> <u>Condition B</u> Moisture Resistance <u>MIL-STD-202, Method 106</u> Corrosion <u>MIL-STD-202,</u> <u>Method 101, Condition B,</u> <u>48 Hrs</u>	BRASS, PER ASTM-B-16 HALF HARD TFE FLUOROCARBON PER ASTM-D-1457 BERYLLIUM COPPER PER ASTM B 196, ALLOY C17300, CONDITION H	GOLD PLATE PER MIL-G-45204 N/A GOLD PLATE PER MIL-G-45204	
UNLESS OTHERWISE SPECIFIED DIMENSIONS ARE IN MILLIMETERS TOLERANCE ON DEC ANGLES ±0.13 ±°			COMPONENT	MATERIAL	
DRAWN BY <i>[Signature]</i> DATE <u>8/25/95</u> CHECKED BY APP'D BY <i>[Signature]</i> <u>08/25/95</u>			USE ASS'Y PROCEDURE	TITLE OSX PRINTED WIRING BOARD JACK RECEPTACLE STRAIGHT TERMINAL	
NO. AP. <u>N/A</u>			SIZE B	CODE IDENT NO. 26805	REV 01₁
SCALE 5:1			SHEET 1 OF 1		

X-ON Electronics

Largest Supplier of Electrical and Electronic Components

Click to view similar products for [RF Connectors / Coaxial Connectors](#) category:

Click to view products by [TE Connectivity](#) manufacturer:

Other Similar products are found below :

[8915-1511-000](#) [89674-0827](#) [6001-7071-019](#) [6002-7051-003](#) [6002-7551-202](#) [6059674-1](#) [619550-1](#) [630059-000](#) [M39030/3-01N](#) [6500-7071-046](#) [6769](#) [CX050L2AQ](#) [7002-1541-010](#) [7002-1542-011](#) [7004-1512-000](#) [7009-1511-004](#) [7010-1511-000](#) [7029-1511-060](#) [7101-1541-010](#) [7101-1571-002](#) [7105-1521-002](#) [7145-1521-002](#) [7203-1571-003](#) [7209-1511-011](#) [7210-1511-015](#) [7210-1511-019](#) [73137-5015](#) [73216-2241](#) [73404-2300](#) [7405-1521-005](#) [7405-1521-802](#) [8527](#) [8547](#) [FS11V](#) [877931](#) [9049-9513-000](#) [9074-9513-000](#) [9101-9573-002](#) [910A205F](#) [9130-9573-002](#) [PL11SC-026](#) [PL375-33](#) [PL40-5](#) [PL74C-221](#) [PL75MC-217](#) [PL803-7](#) [1200690078](#) [1-201144-1](#) [R107003010W](#) [R110A172100](#)