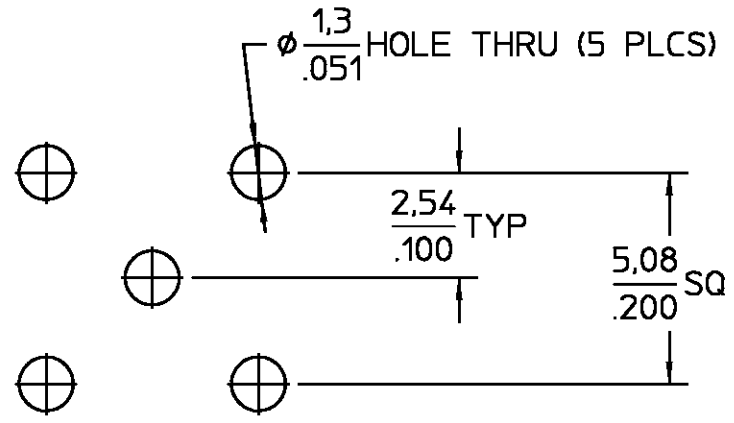


REVISIONS			
REV	DESCRIPTION	DATE	APPROVED
015	SEE ECN 92-0572	BME 10/30/90	CW 10/30/90
016	REVISED DATA TABLE PER ECN 95-0262	6/21/95	S. Madby
017	REVISED, ECN 97-0391	12-3-97	KYLE
018	REVISED	DM 3/16/99	Wag 3/16/99



ELECTRICAL
Nominal Impedance (Ohms) <u>50</u>
Frequency Range (GHz) <u>DC TO 6.0</u>
Voltage Rating (VRMS MAX) <u>335 @ Sea level</u>
VSWR <u>N/A</u>
Insertion Loss <u>N/A</u>
Corona, 70,000 Ft (VRMS MIN) <u>250</u> D.W.V.
(VRMS MIN) <u>1000</u>
Contact Resistance
Center Contact (Milliohms MAX) <u>5.0</u>
Outer Contact (Milliohms MAX) <u>1.0</u>
Cable To Housing (Milliohms MAX) <u>1.0</u>
RF High Potential (VRMS MIN @ 5 MHz) <u>670</u>
I.R. (Megohms Min) <u>10,000</u>

MECHANICAL
Force to Engage: (Lbs) <u>3.4 MAX</u>
Force to Disengage: (Lbs) <u>1.77 MIN - 4.5 MAX</u>
Center Contact Captivation: <u>Axial 4.5lbs @ 1 minute</u> <u>with .006" displacement</u>
 <u>XX.XX = mm</u> <u>.XXX = in</u>

ENVIRONMENTAL
Temperature Rating <u>-65°C to +165°C</u>
Vibration <u>MIL-STD-202, Method 204,</u> <u>Condition B</u>
Thermal shock <u>MIL-STD-202, Method 107,</u> <u>Condition B</u>
Moisture Resistance <u>MIL-STD-202, Method 106</u>
Corrosion <u>MIL-STD-202,</u> <u>Method 101, Condition B,</u> <u>48 Hrs</u>

COMPONENT	MATERIAL	FINISH
HOUSING CAP	BRASS PER ASTM-B-16 HALF HARD	NICKEL PLATE PER QQ-N-290
DIELECTRIC	PTFE FLUOROCARBON PER ASTM-D-1457	N/A
CENTER CONTACT	BERYLLIUM COPPER PER ASTM B 196, ALLOY C17300, CONDITION H	GOLD PLATE PER MIL-G-45204

UNLESS OTHERWISE SPECIFIED
DIMENSIONS ARE IN MILLIMETERS
TOLERANCE ON
DEC ANGLES
±0.13 ° °

DRAWN BY M.Y. DATE 3-8-90
CHECKED BY L.ROSS 3-13-90
APPD BY ORL 3-13-90

AMP Incorporated
140 Fourth Avenue
Waltham, MA 02451-7599

These drawings and specifications are the property of AMP incorporated and shall not be reproduced or copied or used in whole or in part as the basis for the manufacture or sale of item(s) without written permission.

USE ASSY PROCEDURE

NO. AP. N/A

TITLE <u>OSX PRINTED WIRING BOARD</u> <u>RIGHT ANGLE JACK RECEPTACLE</u> <u>STRAIGHT TERMINAL</u>			
SIZE <u>B</u>	CODE IDENT NO. <u>26805</u>	<u>5864-5002-10</u>	REV <u>018</u>
SCALE <u>6:1</u>		SHEET 1 OF 1	

X-ON Electronics

Largest Supplier of Electrical and Electronic Components

Click to view similar products for [RF Connectors / Coaxial Connectors](#) category:

Click to view products by [TE Connectivity](#) manufacturer:

Other Similar products are found below :

[8915-1511-000](#) [89674-0827](#) [6001-7071-019](#) [6002-7051-003](#) [6002-7551-202](#) [6059674-1](#) [619550-1](#) [630059-000](#) [M39030/3-01N](#) [6500-7071-046](#) [6769](#) [CX050L2AQ](#) [7002-1541-010](#) [7002-1542-011](#) [7004-1512-000](#) [7009-1511-004](#) [7010-1511-000](#) [7029-1511-060](#) [7101-1541-010](#) [7101-1571-002](#) [7145-1521-002](#) [7203-1571-003](#) [7209-1511-011](#) [7210-1511-015](#) [7210-1511-019](#) [73137-5015](#) [73216-2241](#) [73404-2300](#) [7405-1521-005](#) [7405-1521-802](#) [8527](#) [8547](#) [FS11V](#) [877931](#) [8808-1511-001](#) [9049-9513-000](#) [9074-9513-000](#) [9101-9573-002](#) [910A205F](#) [9130-9573-002](#) [PL11SC-026](#) [PL375-33](#) [PL40-5](#) [PL74C-221](#) [PL75MC-217](#) [PL803-7](#) [980-8666-005](#) [1200690078](#) [1-201144-1](#) [R107003010W](#)