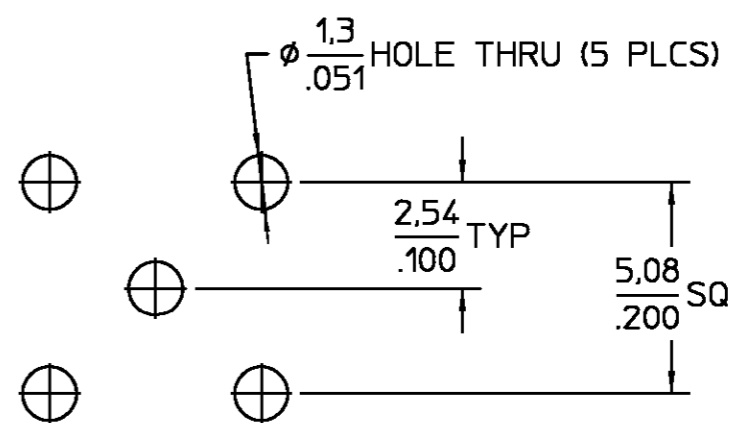


REVISIONS			
REV	DESCRIPTION	DATE	APPROVED
01 ₂	REVISED DATA TABLE per ECN 95-0262	06/09/95	S. Morby
01 ₃	REVISED	DM 3/15/99	Wlog 3/16/99



RECOMMENDED MOUNTING HOLE PATTERN

NOTES:
1. CAPTURED CENTER CONTACT

ELECTRICAL	
Nominal Impedance (Ohms)	50
Frequency Range (GHz) DC to	6.0
Volt Rating (VRMS MAX)	
@ Sea Level	335
VSWR	N/A
Insertion Loss	N/A
Corona, 70,000 Ft (VRMS MIN)	250
Dielectric Withstanding Voltage (VRMS MIN) @ Sea Level	1000
Contact Resistance (Milliohms MAX)	
Center Contact	5.0
Outer Contact	1.0
RF High Potential @ Sea Level (VRMS MIN @ 5 MHz)	670
I.R. (Megohms MIN)	10,000

MECHANICAL	
Force to Engage: (Lbs)	3.4 MAX
& Disengage: (Lbs)	1.77 MIN - 4.5 MAX
Center Contact Captivation Axial (Lbs) 4.5 @ 1 minute with .006" Displacement	
XX.XX = mm .XXX = in	

ENVIRONMENTAL	
Temperature Rating	-65° to +165°C
Vibration MIL-STD-202, Method 204, Condition B	
Thermal Shock MIL-STD-202, Method 107, Condition B	
Moisture Resistance MIL-STD-202, Method 106	
Corrosion - MIL-STD-202, Method 101, Condition B, 48 Hrs	

HOUSING CAP	BRASS PER ASTM-B-16 HALF HARD
DIELECTRIC	TFE FLUOROCARBON PER ASTM-D-1457
CENTER CONTACT	BERYLLIUM COPPER PER ASTM B 196, ALLOY C17300, CONDITION H

COMPONENT	MATERIAL	FINISH
HOUSING CAP	BRASS PER ASTM-B-16 HALF HARD	NICKEL PLATE PER QQ-N-290
DIELECTRIC	TFE FLUOROCARBON PER ASTM-D-1457	N/A
CENTER CONTACT	BERYLLIUM COPPER PER ASTM B 196, ALLOY C17300, CONDITION H	GOLD PLATE PER MIL-G-45204

UNLESS OTHERWISE SPECIFIED DIMENSIONS ARE IN MILLIMETERS
TOLERANCE ON DEC ANGLES ±0.13 °

DRAWN BY M.CATIZONE DATE 10-19-90
CHECKED BY M.Y. 10-19-90
APP'D BY [Signature] 10-19-90

AMP Incorporated
140 Fourth Avenue
Waltham, MA 02451-7599

These drawings and specifications are the property of AMP Incorporated and shall not be reproduced or copied or used in whole or in part as the basis for the manufacture or sale of item(s) without written permission.

USE ASSY PROCEDURE
NO. AP. N/A

TITLE OSX PRINTED WIRING BOARD RIGHT ANGLE JACK RECEPTACLE STRAIGHT TERMINAL			
SIZE B	CODE IDENT NO. 26805	5864-5003-10	REV 01 ₃
SCALE 6:1			SHEET 1 OF 1

X-ON Electronics

Largest Supplier of Electrical and Electronic Components

Click to view similar products for [RF Connectors / Coaxial Connectors](#) category:

Click to view products by [TE Connectivity](#) manufacturer:

Other Similar products are found below :

[8915-1511-000](#) [89674-0827](#) [6001-7071-019](#) [6002-7051-003](#) [6002-7551-202](#) [6059674-1](#) [619550-1](#) [630059-000](#) [M39030/3-01N](#) [6500-7071-046](#) [6769](#) [CX050L2AQ](#) [7002-1542-011](#) [7004-1512-000](#) [7009-1511-004](#) [7010-1511-000](#) [7029-1511-060](#) [7101-1541-010](#) [7101-1571-002](#) [7105-1521-002](#) [7145-1521-002](#) [7203-1571-003](#) [7209-1511-011](#) [7210-1511-015](#) [7210-1511-019](#) [73137-5015](#) [73216-2241](#) [73404-2300](#) [7405-1521-005](#) [7405-1521-802](#) [8527](#) [8547](#) [FS11V](#) [877931](#) [9049-9513-000](#) [9074-9513-000](#) [9101-9573-002](#) [910A205F](#) [9130-9573-002](#) [PL11SC-026](#) [PL375-33](#) [PL40-5](#) [PL74C-221](#) [PL75MC-217](#) [PL803-7](#) [1200690078](#) [1-201144-1](#) [R107003010W](#) [R110A172100](#) [R112186000](#)