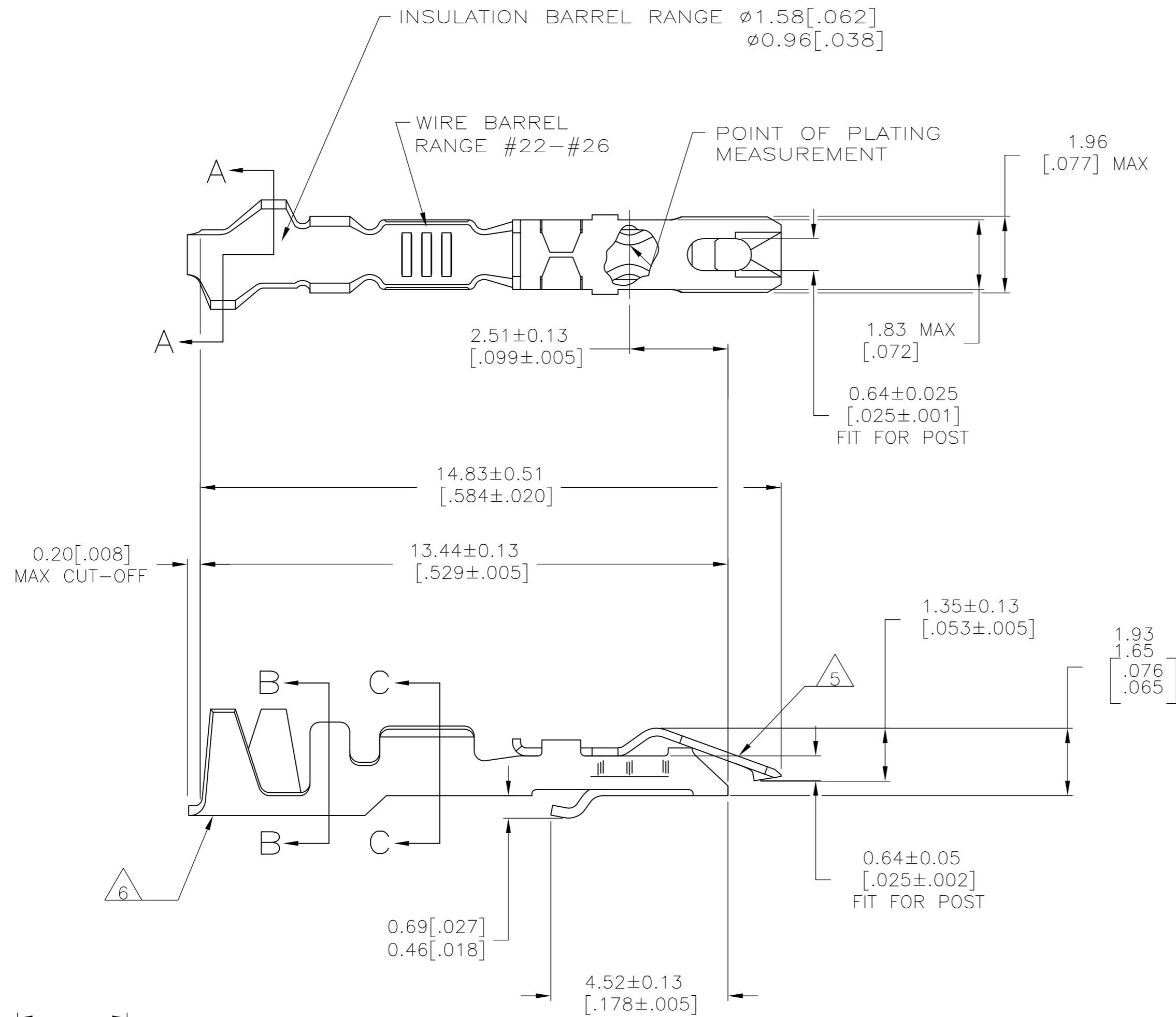
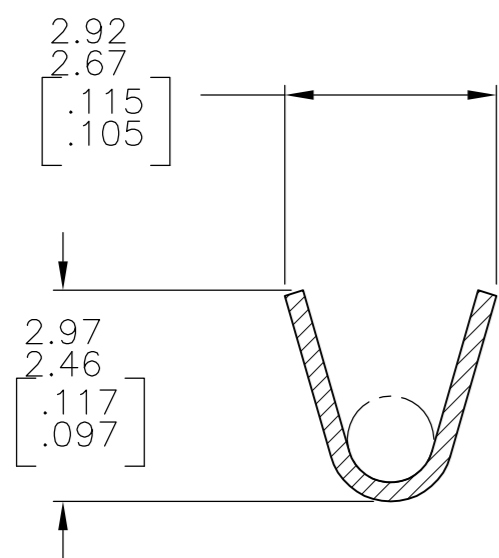


THIS DRAWING IS UNPUBLISHED. RELEASED FOR PUBLICATION
 © COPYRIGHT - By - ALL RIGHTS RESERVED.

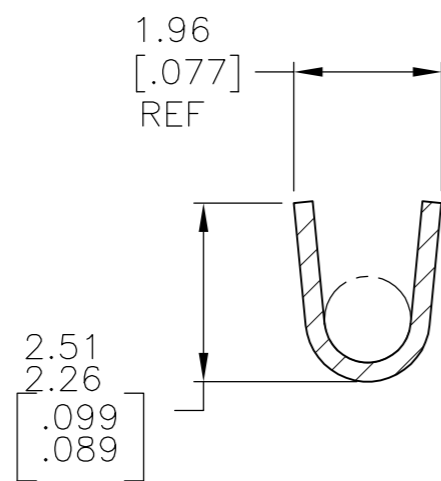
REVISIONS					
P	LTR	DESCRIPTION	DATE	DWN	APVD
R1		REVISED PER ECO-11-004917	11MAR11	RK	HMR
R2		REVISED PER ECO-16-006924	28APR2017	RS	JO



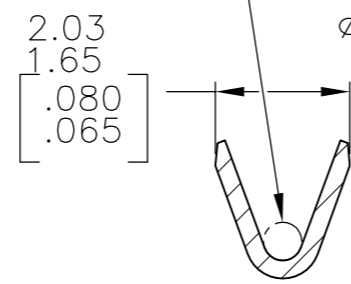
- 1 PLATED WITH 0.00076[.000030] GOLD IN CONTACT AREA, GOLD FLASH ON REMAINDER, OVER 0.00127[.000050] NICKEL.
- 2 PLATED WITH 0.00127[.000050] GOLD IN CONTACT AREA, GOLD FLASH ON REMAINDER, OVER 0.00127[.000050] NICKEL.
- 3 PLATED WITH 0.00254[.000100] BRIGHT TIN-LEAD OVER 0.00127[.000050] NICKEL - ENTIRE CONTACT.
- 4 PLATED WITH 0.00127[.000050] GOLD OVER 0.00127[.000050] NICKEL - ENTIRE CONTACT.
- 5 SPRING MATERIAL: STAINLESS STEEL
- 6 BODY MATERIAL: PHOS BRONZE FINISH: SEE TABLE
- 7 PLATED WITH 0.00254[.000100] BRIGHT TIN OVER 0.00127[.000050] NICKEL - ENTIRE CONTACT.



A-A
(ROTATED 90° CLOCKWISE)



B-B



C-C

OBSOLETE

1	9-87124-1	9-87165-1
7	87124-2	5-87165-2
4	87124-4	87165-4
2	87124-3	87165-3
3	87124-2	87165-2
1	87124-1	87165-1
BODY FINISH	STRIP PART NUMBER	PART NUMBER

THIS DRAWING IS A CONTROLLED DOCUMENT.		DWN E. BRANDBERG 23NOV94	TE Connectivity	
DIMENSIONS: mm [INCHES]		CHK S. SHUEY 23NOV94	NAME	
TOLERANCES UNLESS OTHERWISE SPECIFIED:		APVD D. DUPLER 23NOV94	CONTACT - LOCKING CLIP, FOR 0.64[.025] SQUARE POST, LOOSE PIECE	
0 PLC ± -	1 PLC ± -	PRODUCT SPEC 108-36028	SIZE A2	CAGE CODE 00779
2 PLC ± -	3 PLC ± -	APPLICATION SPEC 114-25006	DRAWING NO C=87165	RESTRICTED TO -
4 PLC ± -	ANGLES ± -	MATERIAL AS NOTED	WEIGHT -	SCALE 10:1
FINISH SEE TABLE		CUSTOMER DRAWING		SHEET 1 of 1
				REV R2

X-ON Electronics

Largest Supplier of Electrical and Electronic Components

Click to view similar products for [Headers & Wire Housings](#) category:

Click to view products by [TE Connectivity](#) manufacturer:

Other Similar products are found below :

[892-18-020-10-001101](#) [58102-G61-06LF](#) [582553-1](#) [0009485154](#) [009176003701906](#) [0050291907](#) [LY20-4P-DT1-P1E-BR](#) [02.125.8002.8](#)
[609-3404](#) [61062-3](#) [61082-181009](#) [622-3653LF](#) [63453-116](#) [636-1030](#) [636-1427](#) [636-3427](#) [636-4007](#) [641938-9](#) [641991-4](#) [644827-2](#) [65817-](#)
[010LF](#) [65817-015LF](#) [65863-015LF](#) [66207-023LF](#) [67095-007LF](#) [67601157](#) [68645-018](#) [68648-049](#) [70.362.1628.0](#) [70-4210](#) [70-4226B](#) [70-](#)
[4853B](#) [707-5020](#) [707-5028](#) [71.350.2428.0](#) [71918-208LF](#) [71961-016LF](#) [733-134](#) [733-162](#) [754199-000](#) [760-3052](#) [79531-3000](#) [FCN-](#)
[360C032-B](#) [FCN-367T-T012/H](#) [FCN-723D010/2](#) [80.063.4001.1](#) [800-90-001-10-001000](#) [800-90-010-10-002000](#) [801-43-002-10-013000](#)
[801-43-006-10-002000](#)