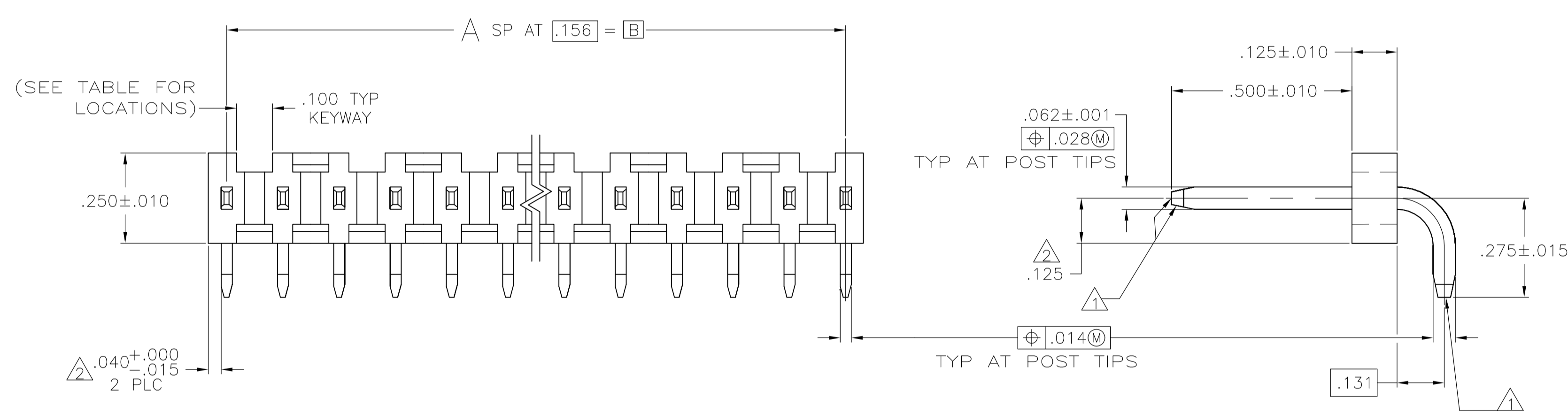
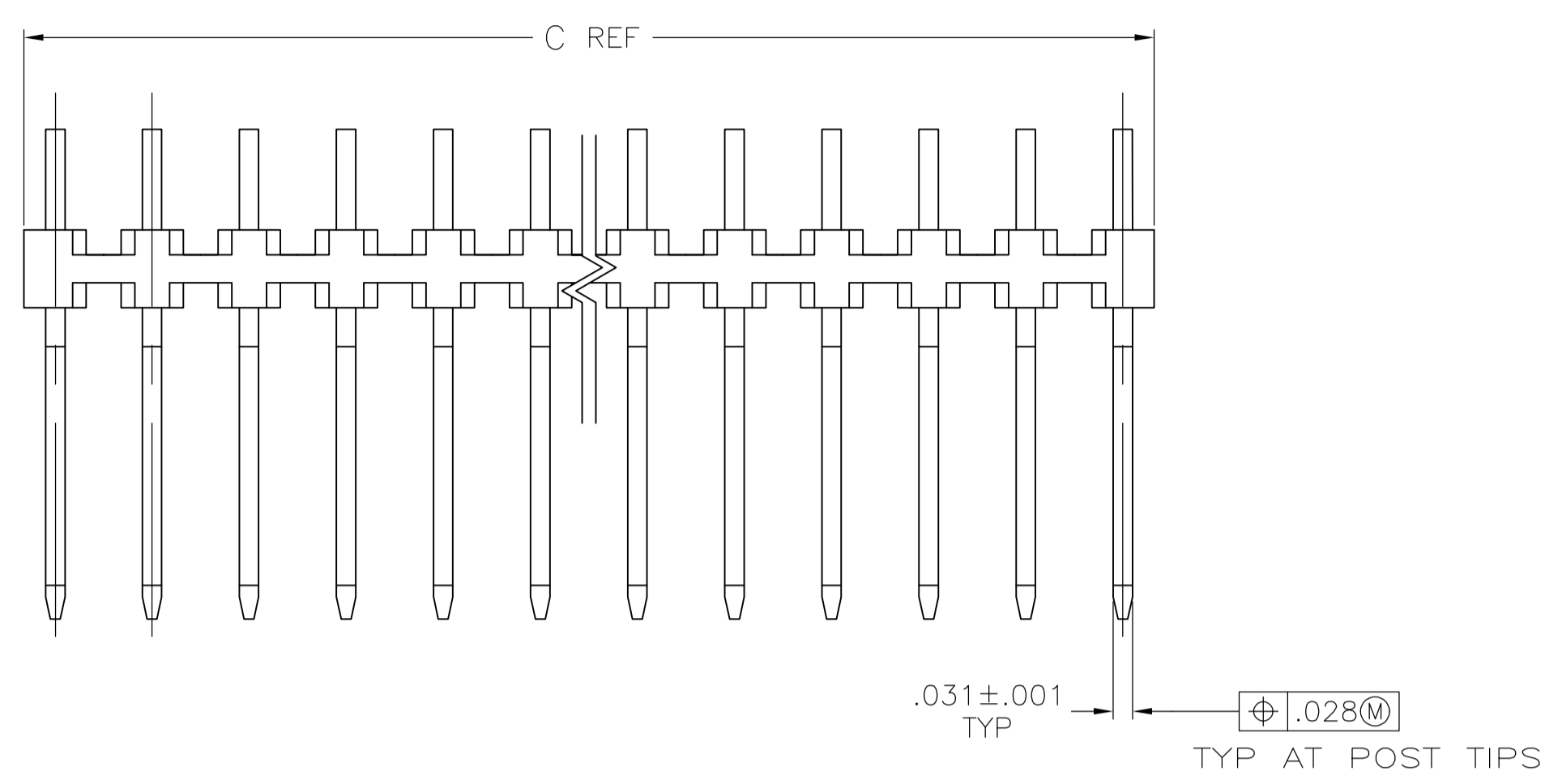
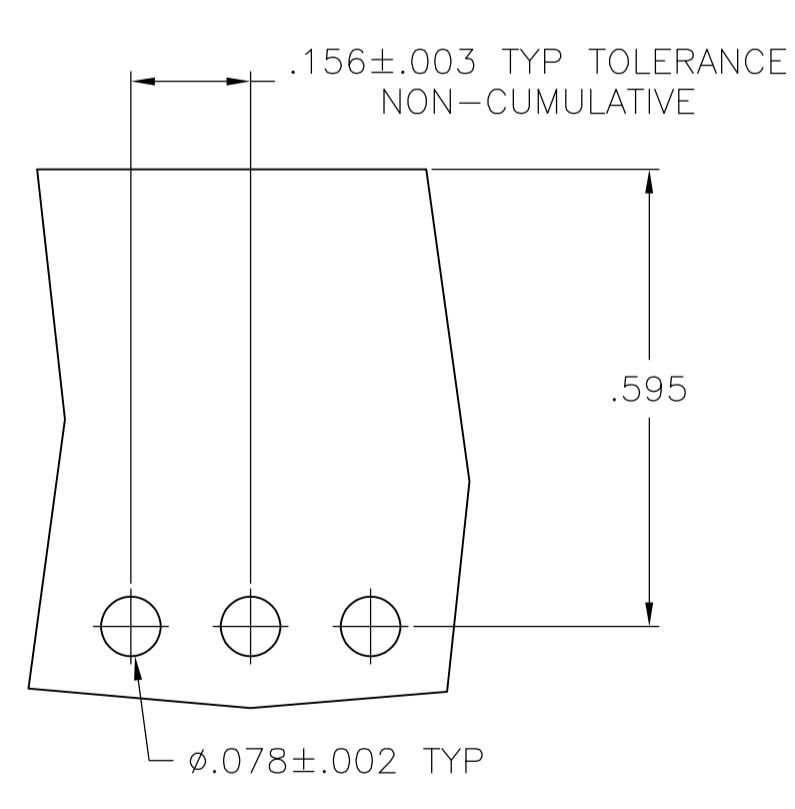


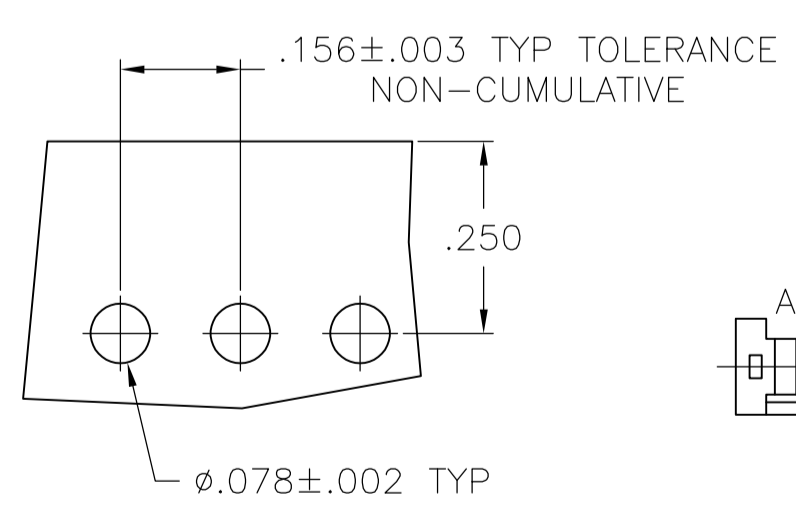
LOC		DIST		REVISIONS			
P	LTR	DESCRIPTION	DATE	DN	APVD		
R1	ECO-05-016271		25FEB06	BSV	JR		
R2	REVISED PER ECO-09-020774		22AUG09	KK	AEG		



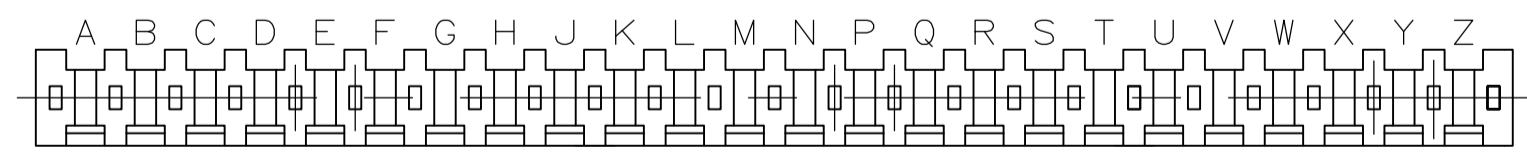
△ .040 ± .000  
-.015  
2 PLC



TO SUPPORT MATING CONNECTOR ON BOARD



FOR MOUNTING HEADER FLUSH TO BOARD EDGE



KEYWAY LOCATIONS (REF-SEE TABLE)  
(MATING LENGTH OF POST ON NEAR SIDE)  
SCALE: 2:1

- △1 THE TIPS OF THE POSTS WILL NOT BE PLATED.
- △2 THE NOTED DIMENSIONS APPLY AT THE INTERSECTION OF THE POST AND THE HOUSING.
- △3 .000050-.000150 BRIGHT TIN-LEAD.
- △4 .000050-.000150 MATTE TIN.
- △5 ROHS 2002/95/EC COMPLIANT.
- △6 OBSOLETE PARTS: OBSOLETE CIS STREAMLINING PER D.RENAUD/D.SINISI

FINISH	KEYWAY LOCATIONS	NO OF KEYWAY	C	B	A	NO OF POSN	ASSEMBLY PART NUMBER
△	A,C,E,H,K,M,Q,S,U,W,Y	11	3.855	3.744	24	25	△7-87194-4
△	A,C,E,G,J,L,N,Q,S,U,W,Y	12	3.699	3.588	23	24	△7-87194-3
△	A,D,G,K,N,R,U,X	8	3.543	3.432	22	23	△7-87194-2
△	A,C,E,G,J,L,N,Q,S,U,W	11	3.387	3.276	21	22	△7-87194-1
△	A,D,G,K,N,R,U	7	3.231	3.120	20	21	△7-87194-0
△	A,C,E,G,J,L,N,Q,S,U	10	3.075	2.964	19	20	△6-87194-9
△	B,D,F,J,L,N,Q,S	8	2.919	2.808	18	19	△6-87194-8
△	A,D,F,J,M,P,S	7	2.763	2.652	17	18	△6-87194-7
△	A,D,G,K,N,R	6	2.607	2.496	16	17	△6-87194-6
△	A,C,E,G,J,L,N,Q	8	2.451	2.340	15	16	△5-87194-5
△	A,D,G,K,N	5	2.295	2.184	14	15	△6-87194-4
△	A,C,E,G,J,L,N	7	2.139	2.028	13	14	△6-87194-3
△	A,D,J,M	4	1.983	1.872	12	13	△6-87194-2
△	A,C,E,G,J,L	6	1.827	1.716	11	12	△6-87194-1
△	A,D,G,K	4	1.671	1.560	10	11	△6-87194-0
△	A,C,E,G,J	5	1.515	1.404	9	10	△5-87194-9
△	A,D,G	3	1.359	1.248	8	9	△5-87194-8
△	A,C,E,G	4	1.203	1.092	7	8	△5-87194-7
△	A,C,E	3	1.047	.936	6	7	△5-87194-6
△	A,C,E	3	.891	.780	5	6	△5-87194-5
△	A,D	2	.735	.624	4	5	△5-87194-4
△	A,C	2	.579	.468	3	4	△5-87194-3
△	A	1	.423	.312	2	3	△5-87194-2
△	A	1	.267	.156	1	2	△5-87194-1
△	A,C,E,H,K,M,Q,S,U,W,Y	11	3.855	3.744	24	25	△2-87194-4
△	A,C,E,G,J,L,N,Q,S,U,W,Y	12	3.699	3.588	23	24	△2-87194-3
△	A,D,G,K,N,R,U,X	8	3.543	3.432	22	23	△2-87194-2
△	A,C,E,G,J,L,N,Q,S,U,W	11	3.387	3.276	21	22	△2-87194-1
△	A,D,G,K,N,R,U	7	3.231	3.120	20	21	△2-87194-0
△	A,C,E,G,J,L,N,Q,S,U	10	3.075	2.964	19	20	△1-87194-9
△	B,D,F,J,L,N,Q,S	8	2.919	2.808	18	19	△1-87194-8
△	A,D,F,J,M,P,S	7	2.763	2.652	17	18	△1-87194-7
△	A,D,G,K,N,R	6	2.607	2.496	16	17	△1-87194-6
△	A,C,E,G,J,L,N,Q	8	2.451	2.340	15	16	△1-87194-5
△	A,D,G,K,N	5	2.295	2.184	14	15	△1-87194-4
△	A,C,E,G,J,L,N	7	2.139	2.028	13	14	△1-87194-3
△	A,D,J,M	4	1.983	1.872	12	13	△1-87194-2
△	A,C,E,G,J,L	6	1.827	1.716	11	12	△1-87194-1
△	A,D,G,K	4	1.671	1.560	10	11	△1-87194-0
△	A,C,E,G,J	5	1.515	1.404	9	10	△87194-9
△	A,D,G	3	1.359	1.248	8	9	△87194-8
△	A,C,E,G	4	1.203	1.092	7	8	△87194-7
△	A,C,E	3	1.047	.936	6	7	△87194-6
△	A,C,E	3	.891	.780	5	6	△87194-5
△	A,D	2	.735	.624	4	5	△87194-4
△	A,C	2	.579	.468	3	4	△87194-3
△	A	1	.423	.312	2	3	△87194-2
△	A	1	.267	.156	1	2	△87194-1

THIS DRAWING IS A CONTROLLED DOCUMENT. DIN L A MAYER 14APR87

APVD P deJONG 19MAY87 **Tyco Electronics** Tyco Electronics Corporation  
Harrisburg, Pa 17105-3608

DIMENSIONS: INCHES	TOLERANCES UNLESS OTHERWISE SPECIFIED:	PRODUCT SPEC	NAME
0 PLC ± -	1 PLC ± -	108-25016	HEADER ASSEMBLY, MOD 1, RIGHT ANGLE, SINGLE ROW, .156CL
2 PLC ± -	3 PLC ± .005	APPLICATION SPEC	SIZE CASE CODE DRAWING NO
4 PLC ± -	ANGLES ± -	RESTRICTED TO	A1 00779 C=87194

MATERIAL HOUSING - FLAME RETARDANT THERMOPLASTIC; COLOR-BLACK POSTS-BRASS FINISH SEE TABLE WEIGHT - SCALE 4:1 SHEET 1 OF 1 REV R2

RECOMMENDED BOARD LAYOUTS

## X-ON Electronics

Largest Supplier of Electrical and Electronic Components

*Click to view similar products for [Headers & Wire Housings](#) category:*

*Click to view products by [TE Connectivity](#) manufacturer:*

Other Similar products are found below :

[95000-104TRLF](#) [10135584-644402LF](#) [DF62W-EP2022PCA](#) [95000-106TRLF](#) [DF62W-2022SCA](#) [DF62W-EP2022PC](#) [2203348](#) [DF62W-2022SC](#) [1084018](#) [1029039](#) [1084017](#) [802-10-012-10-002000](#) [1112640](#) [1112639](#) [000-34000](#) [0009482033](#) [0009507031](#) [57102-S06-03LF](#) [57202-S52-04LF](#) [PCN6-15S-2.5E](#) [0039019024](#) [58102-G61-06LF](#) [582553-1](#) [0009508121](#) [0050291907](#) [018731A](#) [LY20-4P-DT1-P1E-BR](#) [02.125.8002.8](#) [60101931](#) [60598-1 \(Cut Strip\)](#) [M1625-3R/100](#) [61062-3](#) [61082-181009](#) [636-1427](#) [638009-1](#) [641938-9](#) [641991-4](#) [644168-1](#) [647662-1](#) [65039-019ELF](#) [65817-002LF](#) [65817-015LF](#) [65863-015LF](#) [66207-023LF](#) [67016-026LF](#) [67046-001LF](#) [67095-007LF](#) [68002-116](#) [68016-236H](#) [68648-049](#)