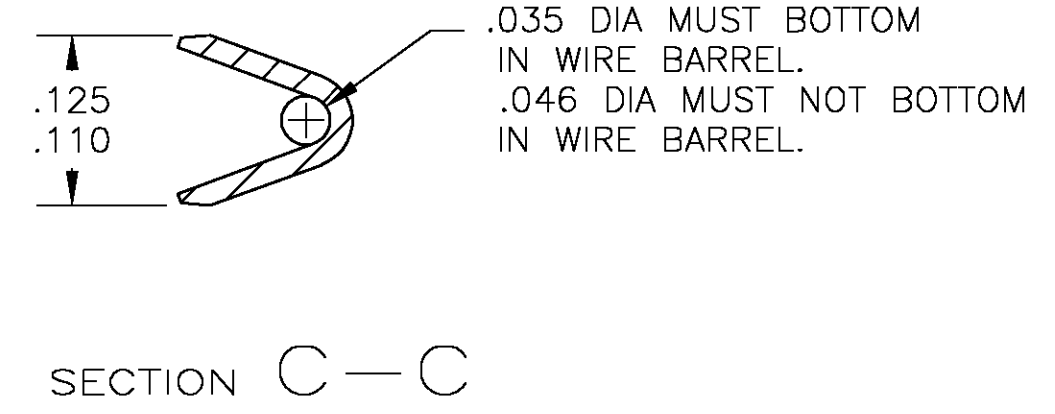
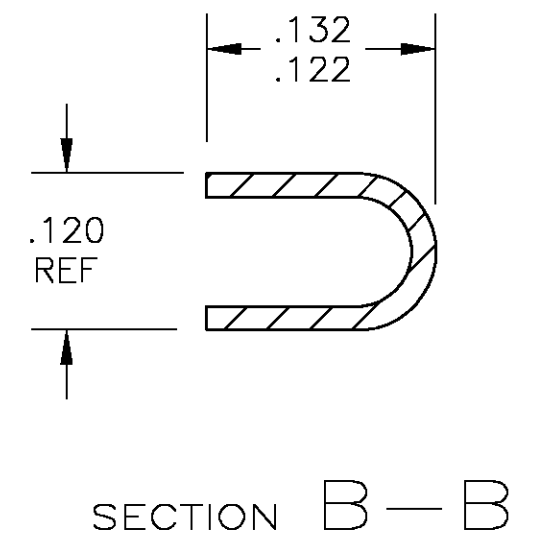
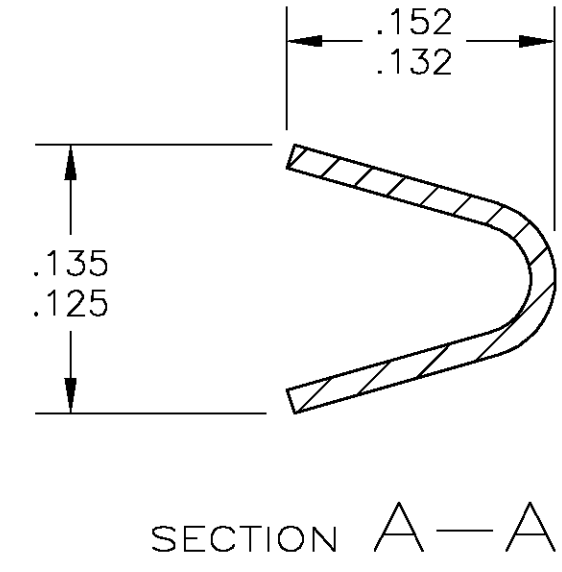
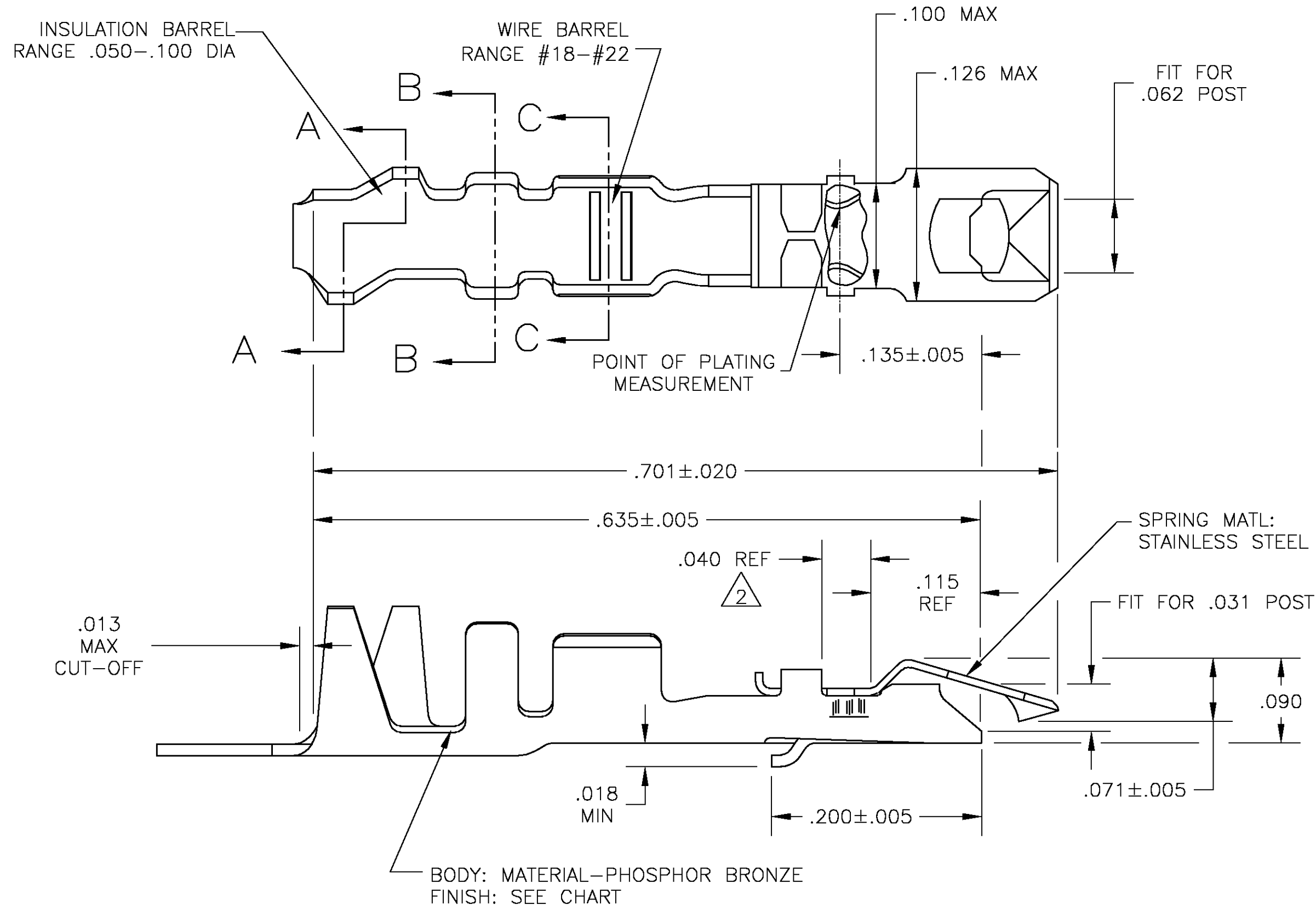


THIS DRAWING IS UNPUBLISHED. RELEASED FOR PUBLICATION  
 © COPYRIGHT BY TYCO ELECTRONICS CORPORATION. ALL RIGHTS RESERVED.

LOC		DIST		REVISIONS			
P	LTR	DESCRIPTION		DATE	DWN	APVD	
J	EC	0G3C	0221	05	02APR05	BSV/DLS	



- 1 PLATED WITH .000100 TIN LEAD OVER .000050 NICKEL-ENTIRE CONTACT.
- 2 PLATED WITH .000015 GOLD IN CONTACT AREA, GOLD FLASH ON REMAINDER, OVER .000050 NICKEL.
- 3 .000100-.00200 BRIGHT TIN OVER .000050 NICKEL, ENTIRE CONTACT.

SUPERSEDED BY 5-87278-1

3	5-87278-1	5-87269-1
3	87278-3	87269-3
2	87278-2	87269-2
1	87278-1	87269-1
BODY FINISH	PART NO. (LOOSE PIECE)	PART NO. (STRIP)

THIS DRAWING IS A CONTROLLED DOCUMENT.		DWN 11-19-73	Tyco Electronics Corporation	
DIMENSIONS: INCHES		CHK 2-19-74	Harrisburg, Pa 17105-3608	
TOLERANCES UNLESS OTHERWISE SPECIFIED:		APVD 2-19-74	NAME	
0 PLC ± -		PRODUCT SPEC	CONTACT - LOCKING CLIP (FOR .031 X .062 POST) LOOSE PIECE	
1 PLC ± -		APPLICATION SPEC	SIZE	CAGE CODE
2 PLC ± -		FINISH	A2	00779
3 PLC ± -		MATERIAL AS NOTED	DRAWING NO	87278
4 PLC ± -		SEE CHART	RESTRICTED TO	-
ANGLES ± -		WEIGHT	SCALE	SHEET
FINISH		CUSTOMER DRAWING	10:1	1 OF 1
			REV	J

## X-ON Electronics

Largest Supplier of Electrical and Electronic Components

*Click to view similar products for [Headers & Wire Housings](#) category:*

*Click to view products by [TE Connectivity](#) manufacturer:*

Other Similar products are found below :

[892-18-020-10-001101](#) [58102-G61-06LF](#) [582553-1](#) [0009485154](#) [009176003701906](#) [0050291907](#) [LY20-4P-DT1-P1E-BR](#) [02.125.8002.8](#)  
[609-3404](#) [61062-3](#) [61082-181009](#) [622-3653LF](#) [63453-116](#) [636-1030](#) [636-1427](#) [636-3427](#) [636-4007](#) [641938-9](#) [641991-4](#) [644827-2](#) [65817-010LF](#) [65817-015LF](#) [65863-015LF](#) [66207-023LF](#) [67095-007LF](#) [67601157](#) [68645-018](#) [68648-049](#) [70.362.1628.0](#) [70-4210](#) [70-4226B](#) [70-4853B](#) [707-5020](#) [707-5028](#) [71.350.2428.0](#) [71918-208LF](#) [71961-016LF](#) [733-134](#) [733-162](#) [754199-000](#) [760-3052](#) [787-8014-00](#) [79531-3000](#)  
[FCN-360C032-B](#) [FCN-367T-T012/H](#) [FCN-723D010/2](#) [80.063.4001.1](#) [800-90-001-10-001000](#) [800-90-010-10-002000](#) [801-43-002-10-013000](#)