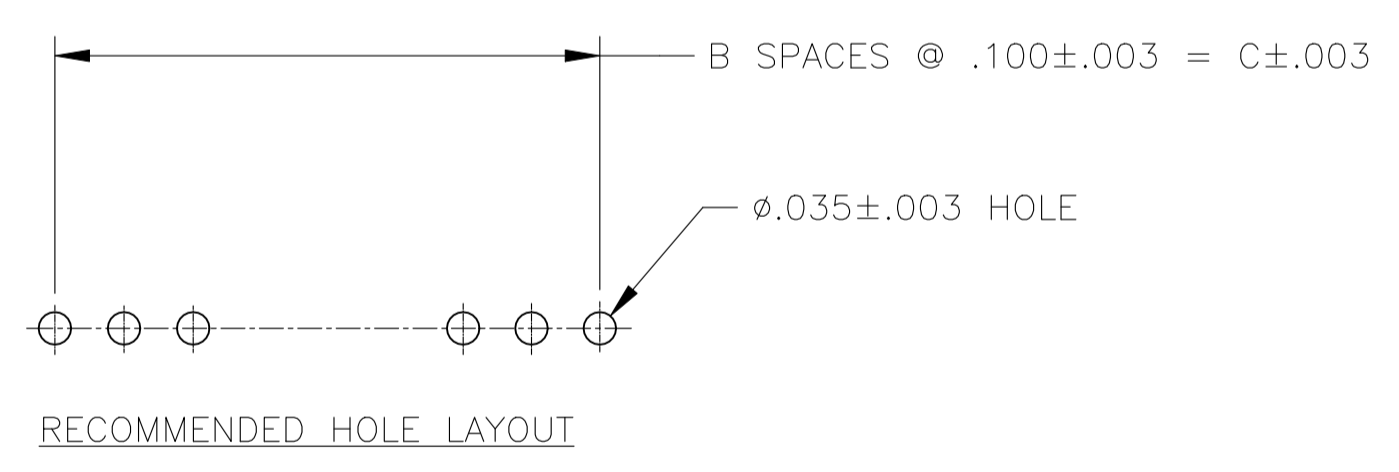
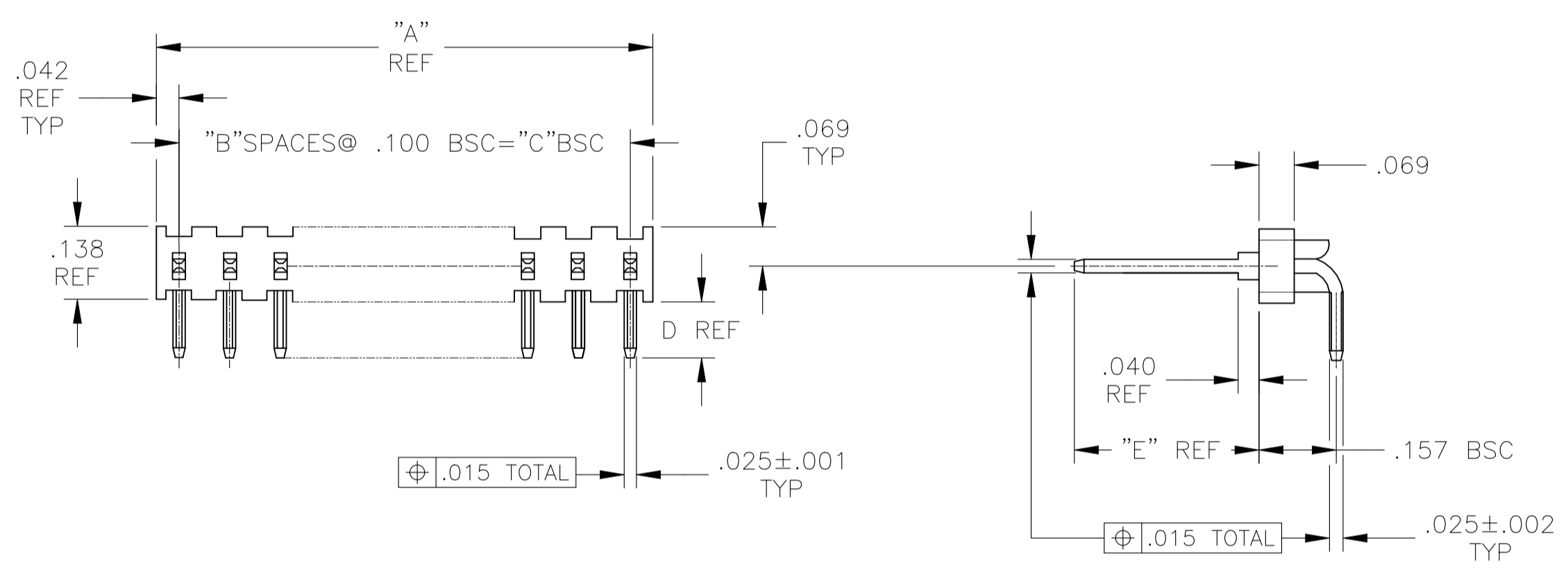
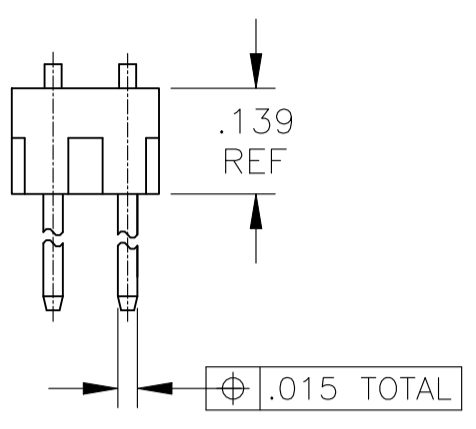


REVISIONS					
P	LTR	DESCRIPTION	DATE	DWN	APVD
J		PLASTIC MATERIAL SUPPLIER CHANGED FOR HOUSING	06MAY2021	SB	KJK

NOTES

- ① .000100-.000200 BRIGHT TIN-LEAD OVER .000050 NICKEL
- ② .000100-.000200 MATTE TIN OVER .000050 NICKEL.
- ③ OBSOLETE



.318	.110	3.900	39	3.984	②	40	9-87551-0
		3.800	38	3.884		39	8-87551-9
		3.700	37	3.784		38	8-87551-8
		3.600	36	3.684		37	8-87551-7
		3.500	35	3.584		36	8-87551-6
		3.400	34	3.484		35	8-87551-5
		3.300	33	3.384		34	8-87551-4
		3.200	32	3.284		33	8-87551-3
		3.100	31	2.184		32	8-87551-2
		3.000	30	3.084		31	8-87551-1
.318	.110	2.900	29	2.984	②	30	8-87551-0
		2.800	28	2.884		29	7-87551-9
		2.700	27	2.784		28	7-87551-8
		2.600	26	2.684		27	7-87551-7
		2.500	25	2.584		26	7-87551-6
		2.400	24	2.484		25	7-87551-5
		2.300	23	2.384		24	7-87551-4
		2.200	22	2.284		23	7-87551-3
		2.100	21	2.184		22	7-87551-2
		2.000	20	2.084		21	7-87551-1
.318	.110	1.900	19	1.984	②	20	7-87551-0
		1.800	18	1.884		19	6-87551-9
		1.700	17	1.784		18	6-87551-8
		1.600	16	1.684		17	6-87551-7
		1.500	15	1.584		16	6-87551-6
		1.400	14	1.484		15	6-87551-5
		1.300	13	1.384		14	6-87551-4
		1.200	12	1.284		13	6-87551-3
		1.100	11	1.184		12	6-87551-2
		1.000	10	1.084		11	6-87551-1
.318	.110	.900	9	.984	②	10	6-87551-0
		.800	8	.884		9	5-87551-9
		.700	7	.784		8	5-87551-8
		.600	6	.684		7	5-87551-7
		.500	5	.584		6	5-87551-6
		.400	4	.484		5	5-87551-5
		.300	3	.384		4	5-87551-4
		.200	2	.284		3	5-87551-3
		.100	1	.184		2	5-87551-2
.318	.110	-	-	.084	②	1	5-87551-1
E	D	C	B	A	FINISH	NO. OF POS	PART NO

.318	.110	3.900	39	3.984	③	40	4-87551-0
		3.800	38	3.884		39	3-87551-9
		3.700	37	3.784		38	3-87551-8
		3.600	36	3.684		37	3-87551-7
		3.500	35	3.584		36	3-87551-6
		3.400	34	3.484		35	3-87551-5
		3.300	33	3.384		34	3-87551-4
		3.200	32	3.284		33	3-87551-3
		3.100	31	2.184		32	3-87551-2
		3.000	30	3.084		31	3-87551-1
.318	.110	2.900	29	2.984	③	30	3-87551-0
		2.800	28	2.884		29	2-87551-9
		2.700	27	2.784		28	2-87551-8
		2.600	26	2.684		27	2-87551-7
		2.500	25	2.584		26	2-87551-6
		2.400	24	2.484		25	2-87551-5
		2.300	23	2.384		24	2-87551-4
		2.200	22	2.284		23	2-87551-3
		2.100	21	2.184		22	2-87551-2
		2.000	20	2.084		21	2-87551-1
.318	.110	1.900	19	1.984	③	20	2-87551-0
		1.800	18	1.884		19	1-87551-9
		1.700	17	1.784		18	1-87551-8
		1.600	16	1.684		17	1-87551-7
		1.500	15	1.584		16	1-87551-6
		1.400	14	1.484		15	1-87551-5
		1.300	13	1.384		14	1-87551-4
		1.200	12	1.284		13	1-87551-3
		1.100	11	1.184		12	1-87551-2
		1.000	10	1.084		11	1-87551-1
.318	.110	.900	9	.984	③	10	1-87551-0
		.800	8	.884		9	87551-9
		.700	7	.784		8	87551-8
		.600	6	.684		7	87551-7
		.500	5	.584		6	87551-6
		.400	4	.484		5	87551-5
		.300	3	.384		4	87551-4
		.200	2	.284		3	87551-3
		.100	1	.184		2	87551-2
.318	.110	-	-	.084	③	1	87551-1
E	D	C	B	A	FINISH	NO. OF POS	PART NO

THIS DRAWING IS A CONTROLLED DOCUMENT.

DIMENSIONS: INCHES

TOLERANCES UNLESS OTHERWISE SPECIFIED:

0. PLC	± .005
1. PLC	± .005
2. PLC	± .005
3. PLC	± .005
4. PLC	± .005
ANGLES	± .005

MATERIAL: HSG: GLASS FILLED NYLON, COLOR: BLACK, POST: PHOS BRONZE

FINISH: SEE CALLOUT

WEIGHT: --

CUSTOMER DRAWING

DIN: 8-9-75

CHK: 8-9-75

APVD: 12-9-75

NAME: --

PRODUCT SPEC: --

APPLICATION SPEC: --

SIZE: A1

CAGE CODE: 00779

DRAWING NO: 87551

RESTRICTED TO: --

SCALE: 4:1

SHEET: 1 of 1

REV: J

## X-ON Electronics

Largest Supplier of Electrical and Electronic Components

*Click to view similar products for [Headers & Wire Housings](#) category:*

*Click to view products by [TE Connectivity](#) manufacturer:*

Other Similar products are found below :

[892-18-020-10-001101](#) [58102-G61-06LF](#) [582553-1](#) [0009485154](#) [009176003701906](#) [0050291907](#) [LY20-4P-DT1-P1E-BR](#) [02.125.8002.8](#)  
[609-3404](#) [61062-3](#) [61082-181009](#) [622-3653LF](#) [63453-116](#) [636-1030](#) [636-1427](#) [636-3427](#) [636-4007](#) [641938-9](#) [641991-4](#) [644827-2](#) [65817-](#)  
[010LF](#) [65817-015LF](#) [65863-015LF](#) [66207-023LF](#) [67095-007LF](#) [67601157](#) [68645-018](#) [68648-049](#) [70.362.1628.0](#) [70-4210](#) [70-4226B](#) [70-](#)  
[4853B](#) [707-5020](#) [707-5028](#) [71.350.2428.0](#) [71918-208LF](#) [71961-016LF](#) [733-134](#) [733-162](#) [754199-000](#) [760-3052](#) [787-8014-00](#) [79531-3000](#)  
[FCN-360C032-B](#) [FCN-367T-T012/H](#) [FCN-723D010/2](#) [80.063.4001.1](#) [800-90-001-10-001000](#) [800-90-010-10-002000](#) [801-43-002-10-013000](#)