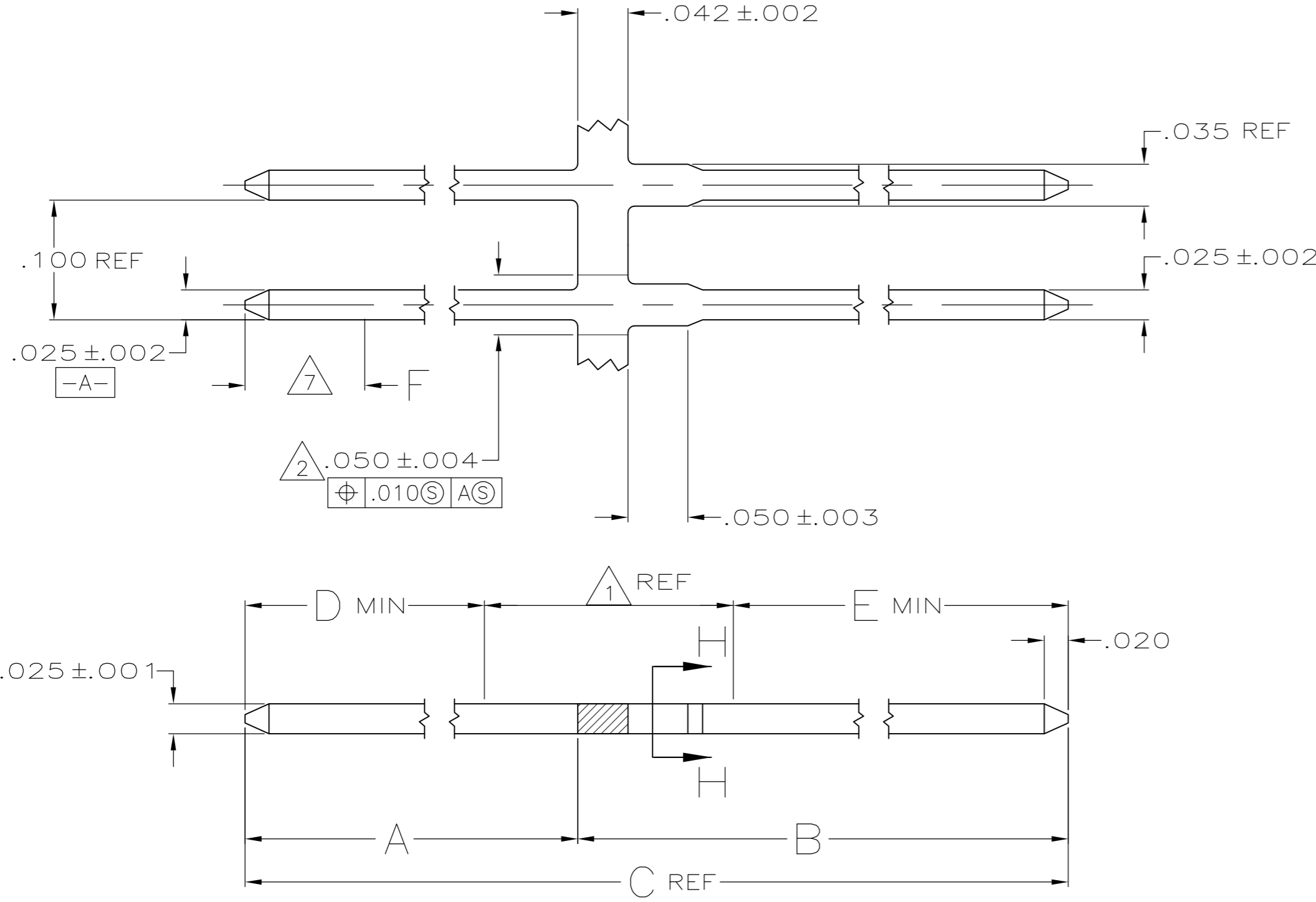
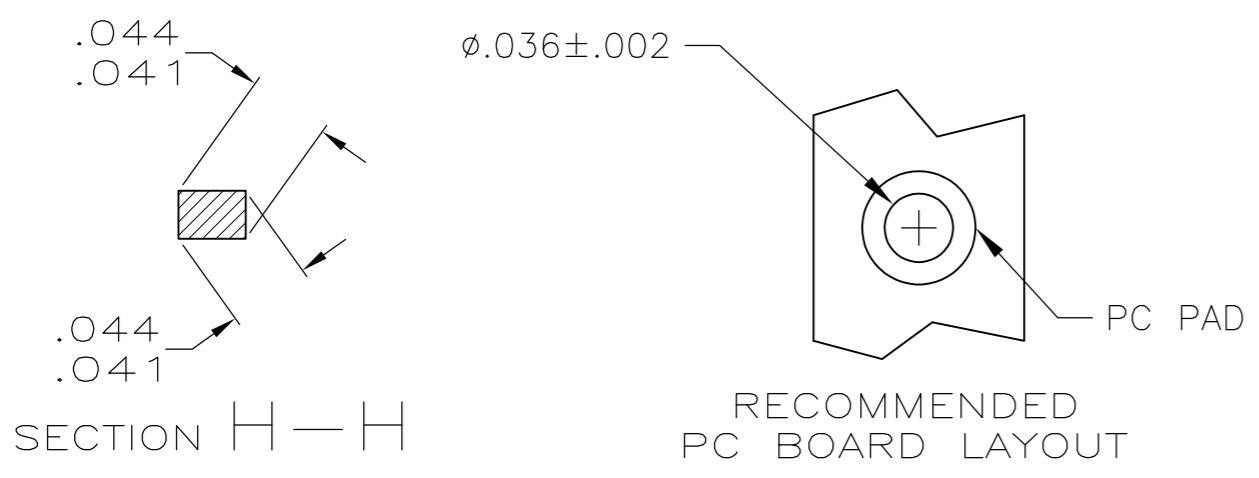


THIS DRAWING IS UNPUBLISHED. RELEASED FOR PUBLICATION  
 © COPYRIGHT - By - ALL RIGHTS RESERVED.

LOC		DIST		REVISIONS			
P	LTR	DESCRIPTION		DATE	DWN	APVD	
	F3	REVISED PER ECO-11-004917		11MAR11	RK	HMR	



- 1 THE AREA BETWEEN D & E WILL BE PLATED WITH .000050 MIN NICKEL
- 2 APPLICATOR CUT-OFF DIMENSION.
- 3 .000030 MIN GOLD OVER .000050 MIN NICKEL
- 4 .000100-.000200 MATTE TIN-LEAD OVER .000050 NICKEL.
- 5 .000015 MIN GOLD OVER .000050 MIN NICKEL.
- 6 .000050 MIN GOLD OVER .000050 MIN NICKEL.
- 7 POINT OF MEASUREMENT FOR PLATING THICKNESS.
- 8 .000100-.000200 MATTE TIN OVER .000050 NICKEL.
- 9 ROHS 2002/95/EC COMPLIANT.
- 10 OBSOLETE PARTS: OBSOLETE CIS STREAMLINING PER D.RENAUD/D.SINISI



OBSOLETE	.100	8	6	.125	.200	.483	.165	.318	9	5-87623-8
	.100	8	6	.160	.200	.828	.550	.278	9	5-87623-7
	.100	8	6	.220	.200	.628	.350	.278	9	5-87623-6
	.100	8	6	.280	.200	.688	.410	.278	9	5-87623-5
OBSOLETE	.100	8	5	.125	.200	.443	.165	.278	9	5-87623-4
	.100	8	5	.160	.200	.828	.550	.278	9	5-87623-3
	.100	8	5	.160	.200	1.016	.738	.278	9	5-87623-2
OBSOLETE	.100	8	3	.125	.200	.443	.165	.278	9	5-87623-1
	.100	4	6	.125	.200	.483	.165	.318		87623-8
OBSOLETE	.100	4	6	.160	.200	.828	.550	.278		87623-7
OBSOLETE	.100	4	6	.220	.200	.628	.350	.278		87623-6
OBSOLETE	.100	4	6	.280	.200	.688	.410	.278		87623-5
OBSOLETE	.100	4	5	.125	.200	.443	.165	.278		87623-4
	.100	4	5	.160	.200	.828	.550	.278		87623-3
OBSOLETE	.100	4	5	.160	.200	1.016	.738	.278		87623-2
OBSOLETE	.100	4	3	.125	.200	.443	.165	.278		87623-1
F	FINISH OVER AREA E	FINISH OVER AREA D	E	D	C	B	A	PART NUMBER		

SUPERSEDED BY 4-87022-1

THIS DRAWING IS A CONTROLLED DOCUMENT.

DWN: S. A. Shuey 11Dec96  
 CHK: -  
 APVD: S. A. Shuey 11Dec96  
 PRODUCT SPEC: -  
 APPLICATION SPEC: -  
 MATERIAL: PHOS BRONZE  
 FINISH: SEE TABLE

TE Connectivity  
 POST, MOD II  
 SIZE: A2  
 CAGE CODE: 00779  
 DRAWING NO: C-87623  
 RESTRICTED TO: -  
 SCALE: 10:1  
 SHEET: 1 of 1  
 REV: F3

## X-ON Electronics

Largest Supplier of Electrical and Electronic Components

*Click to view similar products for [Headers & Wire Housings](#) category:*

*Click to view products by [TE Connectivity](#) manufacturer:*

Other Similar products are found below :

[892-18-020-10-001101](#) [58102-G61-06LF](#) [582553-1](#) [0009485154](#) [009176003701906](#) [0050291907](#) [LY20-4P-DT1-P1E-BR](#) [02.125.8002.8](#)  
[609-3404](#) [61062-3](#) [61082-181009](#) [622-3653LF](#) [63453-116](#) [636-1030](#) [636-1427](#) [636-3427](#) [636-4007](#) [641938-9](#) [641991-4](#) [644827-2](#) [65817-010LF](#) [65817-015LF](#) [65863-015LF](#) [66207-023LF](#) [67095-007LF](#) [67601157](#) [68645-018](#) [68648-049](#) [70.362.1628.0](#) [70-4210](#) [70-4226B](#) [70-4853B](#) [707-5020](#) [707-5028](#) [71.350.2428.0](#) [71918-208LF](#) [71961-016LF](#) [733-134](#) [733-162](#) [754199-000](#) [760-3052](#) [787-8014-00](#) [79531-3000](#)  
[FCN-360C032-B](#) [FCN-367T-T012/H](#) [FCN-723D010/2](#) [80.063.4001.1](#) [800-90-001-10-001000](#) [800-90-010-10-002000](#) [801-43-002-10-013000](#)