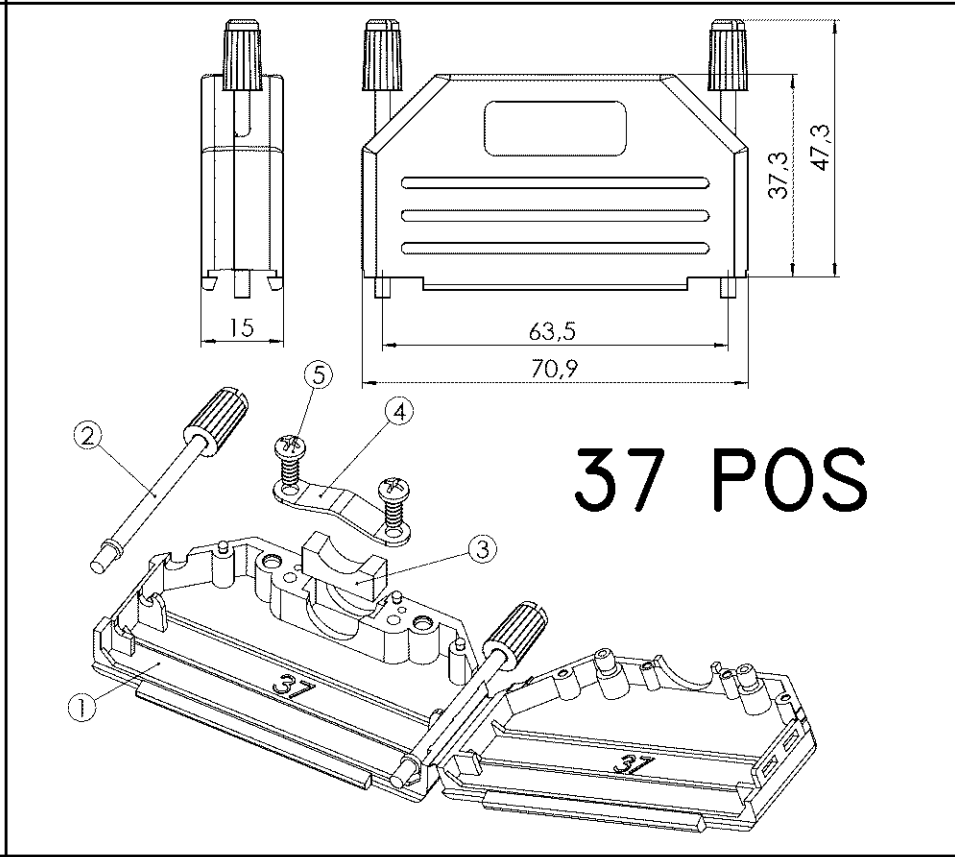
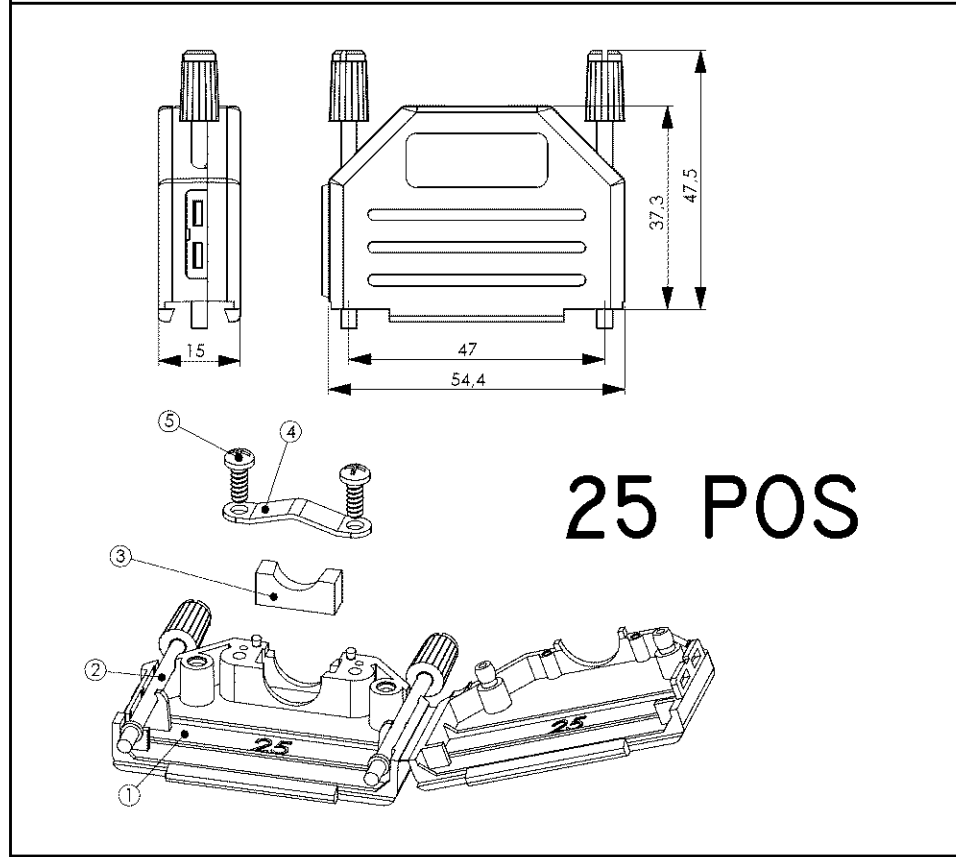
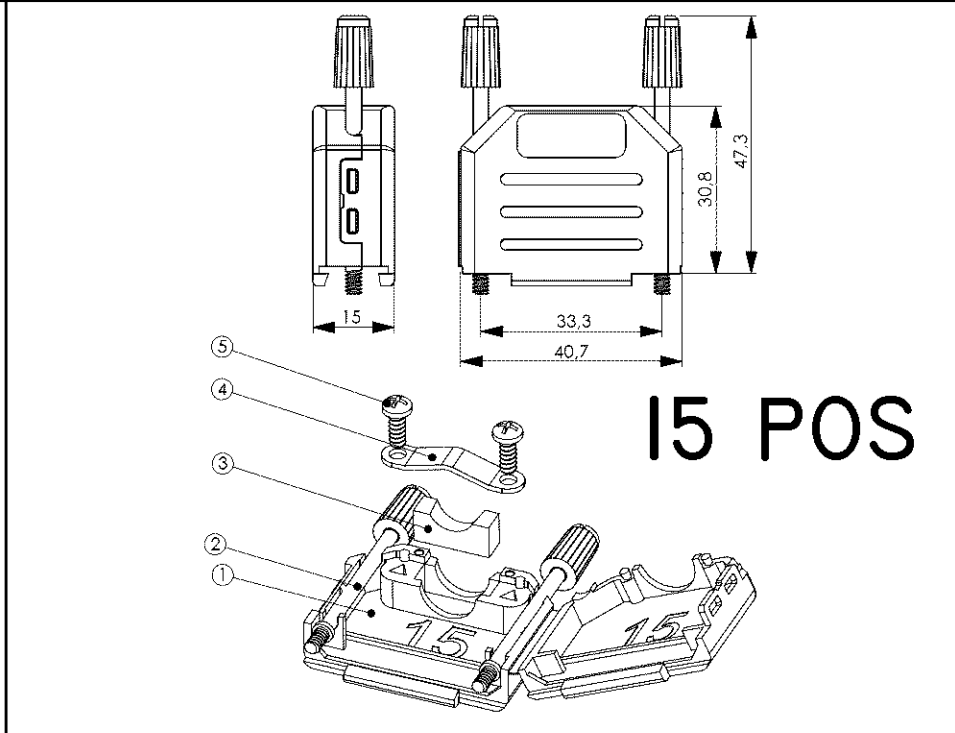
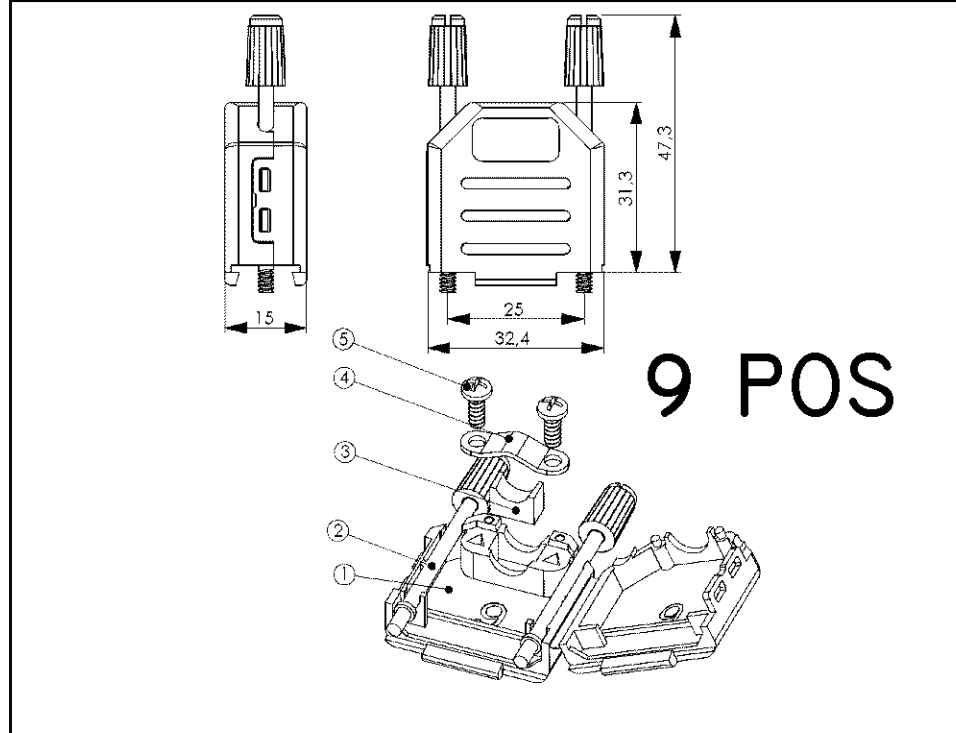


THIS DRAWING IS UNPUBLISHED. RELEASED FOR PUBLICATION  
 © COPYRIGHT - BY TYCO ELECTRONICS CORPORATION. ALL RIGHTS RESERVED.

LOC H  
 DIST -

REVISIONS				
P	LTR	DESCRIPTION	DATE	APVD
A		FIRST ISSUE	14MAY07	DC TdB
A1		REVISED PER ECO-09-026495	NOV09	KK AEG



**NOTES:**

- 1) CABLE DIAMETER 3 TO 11 MM DEPENDING ON PLACEMENT OF THE GROMMET.
- 2) MINIMUM ORDER QUANTITY FOR ALL PARTNUMBERS 100 KITS
- 3) OBSOLETE PARTS: OBSOLETE CIS STREAMLINING PER D.RENAUD/D.SINISI

D-SUBMINIATURE COVER KIT			
PARTNUMBER	POSITION	THREAD JACKSCREW	COLOR
5-885000-1	9	#4-40 UNC	BLACK
5-885000-2	15	#4-40 UNC	BLACK
5-885000-3	25	#4-40 UNC	BLACK
5-885000-4	39	#4-40 UNC	BLACK
<del>2-885000-1</del> 3	9	M3	BLACK
<del>2-885000-2</del> 3	15	M3	BLACK
<del>2-885000-3</del> 3	25	M3	BLACK
<del>2-885000-4</del> 3	39	M3	BLACK

ITEM	QTY	DESCRIPTION	MATERIAL
1	1	COVER	NYLON 6 UL94V-2
2	2	JACKSCREW	NI PLATED BRASS
3	1	GROMMET	NYLON 6 UL94V-2
4	1	CABLE CLAMP	ZN PLATED STEEL
5	2	SELF TAPPING SCREW	ZN PLATED STEEL

THIS DRAWING IS A CONTROLLED DOCUMENT FOR TYCO ELECTRONICS CORPORATION IT IS SUBJECT TO CHANGE AND THE CONTROLLING ENGINEERING ORGANIZATION SHOULD BE CONTACTED FOR THE LATEST REVISION.

DIMENSIONS:		TOLERANCES UNLESS OTHERWISE SPECIFIED:	
mm		0 PLC	±-
		1 PLC	±-
		2 PLC	±-
		3 PLC	±-
		4 PLC	±-
		ANGLES	±-

MATERIAL - FINISH -

DWN	14MAY07	<b>tyco</b> Electronics	TYCO ELECTRONICS NEDERLAND B.V.	
CHK	14MAY07		's-HERTOGENBOSCH, THE NETHERLANDS	
DWN	14MAY07	NAME	SUB-D COVER KIT; 9, 15, 25 OR 39 POS.	
APVD	14MAY07		M3 OR #4-40 UNC TRHEADED JACKSCREW	
PRODUCT SPEC	-	SIZE	CAGE CODE	DRAWING NO
APPLICATION SPEC	-	A3	00779	2-885000-1
WEIGHT	-	SCALE		REV
CUSTOMER DRAWING	-	NTS		A1

## X-ON Electronics

Largest Supplier of Electrical and Electronic Components

*Click to view similar products for [D-Sub Backshells](#) category:*

*Click to view products by [TE Connectivity](#) manufacturer:*

Other Similar products are found below :

[600X54009X](#) [M85049/6-38N](#) [M85049/86-12N03](#) [M85049/90-13P03](#) [70.350.0636.4](#) [70.350.2435.1](#) [72.350.1035.2](#) [72.352.2435.1](#)  
[73.359.4035.3](#) [829472-1](#) [PCS-E20W](#) [970-015-040R011](#) [971-009-030R121](#) [971-009-040R011](#) [971-015-040R011](#) [DPH-B-003](#) [1437013-9](#)  
[1484402-8](#) [156-3025-EX](#) [16-500800](#) [165X02659X](#) [165X03329A](#) [165X03399A](#) [165X10259X](#) [165X11759X](#) [165X11889X](#) [165X11899X](#)  
[165X13019X](#) [165X13029X](#) [165X13169X](#) [165X13199X](#) [165X13239X](#) [165X13389X](#) [165X13489X](#) [165X14219X](#) [165X14429X](#)  
[165X14449X](#) [165X17409X](#) [165X17439X](#) [165X17569X](#) [165X17599X](#) [165X17609X](#) [165X17889X](#) [165X17979X](#) [L171373](#) [971-025-](#)  
[030R121](#) [300X10989X](#) [165X02609X](#) [165X02639X](#) [165X02689X](#)