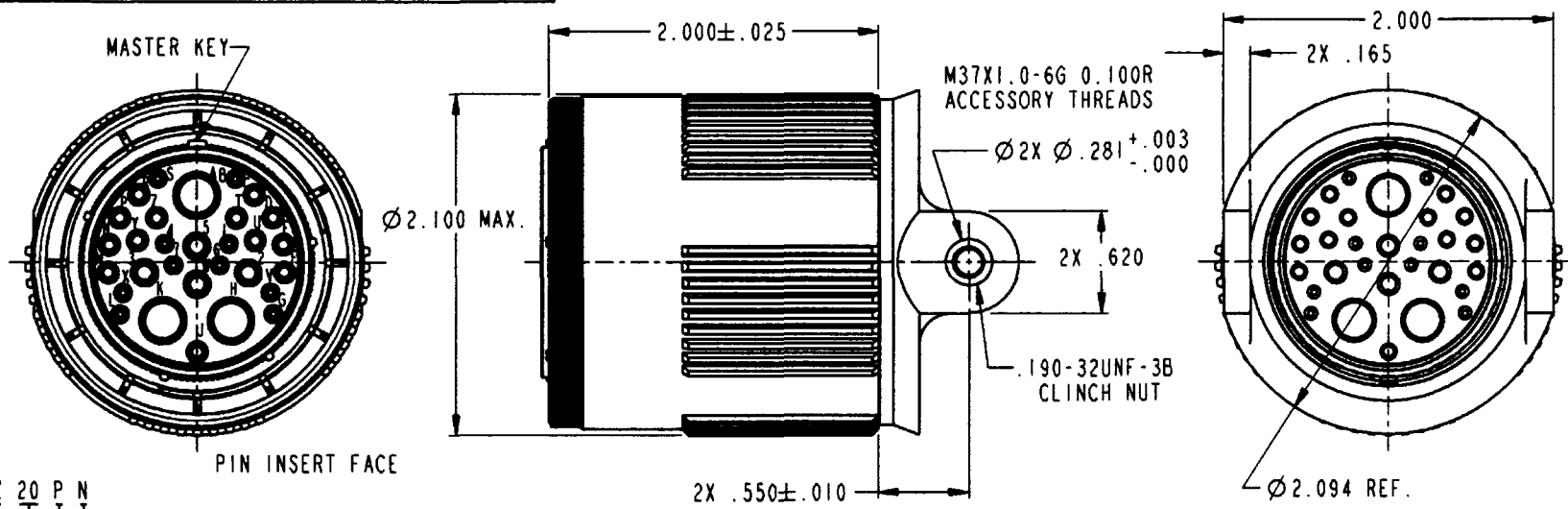


PROPERTY OF DEUTSCH E.C.D.

This drawing contains proprietary information that shall not be disclosed, duplicated, or used in whole or in part for any purpose other than to evaluate this drawing.

N/C 59119WZ20PN

REVISIONS			
REV	DESCRIPTION	DATE	APPROVED
N/C	NEW RELEASE PER E.O. C5714	04/26/03	A.R.



59119 W Z 20 P N

- KEYING POSITIONS N1
- (POSITION N = NORMAL)
- CONTACT P = PIN, S = SOCKET
- ARRANGEMENT 20 = 1760 TYPE
- YOKE WITH PRESSED IN NUTS
- FINISH W = OLIVE DRAB CADMIUM
- IDENTIFIER - CONNECTOR PLUG LANYARD RELEASE WITH SPECIAL LANYARD RING

4. CONNECTOR SIMILAR TO D38999/31 TYPE 5.

3. FOR APPLICABLE KEYING DIAGRAM SEE MIL-DTL-38999.
FOR INSERT ARRANGEMENT SEE MIL-STD-1560 (SHELL SIZE 25 ONLY).
FOR AVAILABILITY CONSULT FACTORY.

2. MATERIAL / FINISH:
- SHELL - COMPOSITE, PLATED.
 - COUPLING RING - COMPOSITE, UNPLATED (BLACK).
 - LANYARD RING - ALUMINUM ALLOY, BLACK ANODIZED.
 - LANYARD COVER - TEFLON, NATURAL.
 - LANYARD - KEVLAR, NATURAL.
 - SNAP RINGS - STAINLESS STEEL, PASSIVATED.
 - WAFER SPRING - STAINLESS STEEL, PASSIVATED.
 - R.F.I. STRIP - COPPER ALLOY, PLATED.
 - CONTACTS - COPPER ALLOY, GOLD PLATED.
 - RESILIENT INSERTS - SILICONE, ELASTOMER.
 - PLASTIC INSERTS - THERMOPLASTIC.

1. ALL DIMENSIONS ARE IN INCHES UNLESS OTHERWISE SPECIFIED, THREAD CALLOUT IS METRIC.

SIGNATURE & DATE		PLUG, CONNECTOR THREADED COUPLING ANTI-ROTATION LANYARD RELEASE DEEP BARRELED THICK NOSE ACT SERIES SIZE 25 ENVELOPE	MATERIAL CODE	
DR	D. WHITACRE 10/24/2002		CP	
CN	<i>[Signature]</i> 04/26/03		DEUTSCH ENGINEERED CONNECTING DEVICES 5733 W. Whittier Ave. Hemet, California	
PE	D. WHITACRE 10/24/2002		A 59119WZ20PN	
APPROVED		SCALE	NONE	SHEET 1 OF 1

X-ON Electronics

Largest Supplier of Electrical and Electronic Components

Click to view similar products for [Circular MIL Spec Tools, Hardware & Accessories](#) *category:*

Click to view products by [TE Connectivity](#) *manufacturer:*

Other Similar products are found below :

[809-199-3](#) [001104](#) [300 04](#) [600-006-16](#) [600-079-06](#) [M10-101982-143](#) [M10-101982-163](#) [M10-101983-183](#) [M10-150912-083](#) [M10-454396-008](#) [602GB18808](#) [M225201-06](#) [M24758-20E21](#) [M2887610-BC](#) [M2887615-CD](#) [M38999/9-19B](#) [62GB-812-10](#) [630A007NF083A](#) [630B007M051A](#) [630BJ003NF032H](#) [637-149NF04B](#) [M39029/29-215](#) [650FS002NF16](#) [M81969-14-02](#) [660-008NF14S7-01](#) [660-009M22H8-03](#) [660-013NF19U6-210](#) [660-015M10S6-17](#) [660-015NF10S5-01](#) [660-015NF14R3.5-01](#) [660-023NF19H6-19](#) [660-024N09S5-104](#) [660-024NF11S12-01](#) [660-024NF11S3-01](#) [660-050XM17F4-01](#) [660-068NF25R6-30G](#) [660-070M23S8-04](#) [660-073MTCH9-20](#) [M83723/60-116RC](#) [M83723/61-18W](#) [M83723/61-218R](#) [M83723/61-224W](#) [667-224NF16](#) [M85049/118S22A](#) [M85049/126S11N](#) [M85049130-07M](#) [M85049140-09BC](#) [M85049/41-16A W/B](#) [687-697NF-1](#) [M85049/75-14-1](#) [M8504980-8](#)