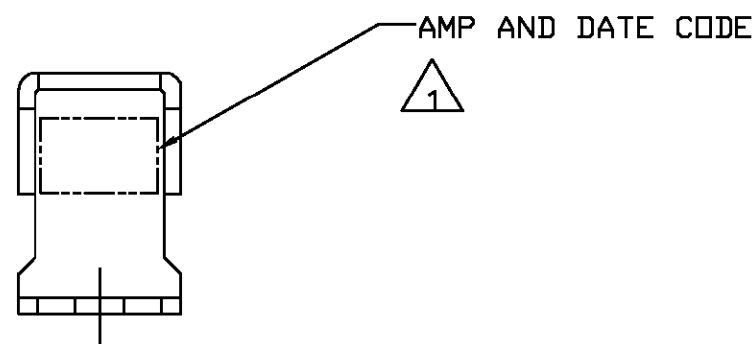
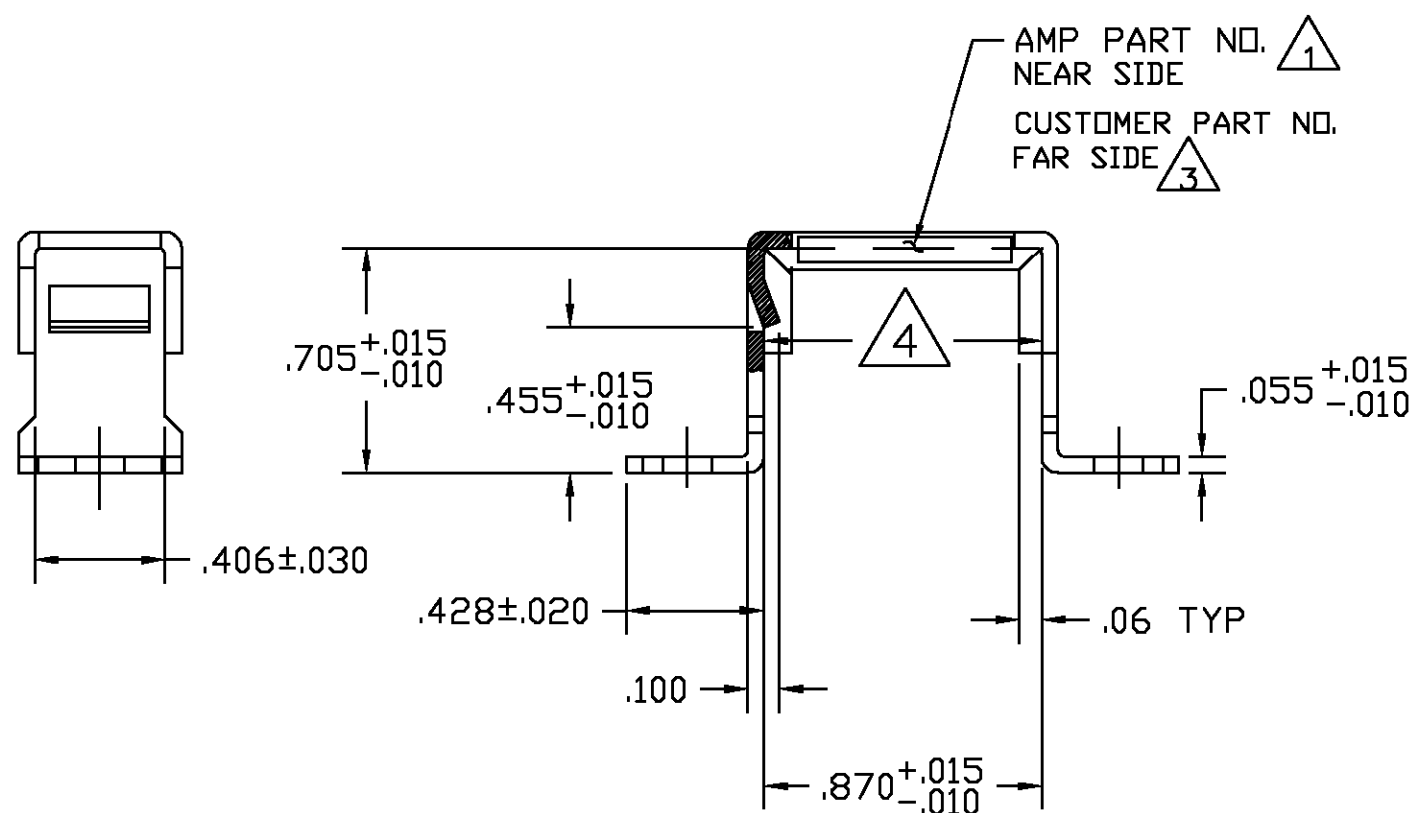
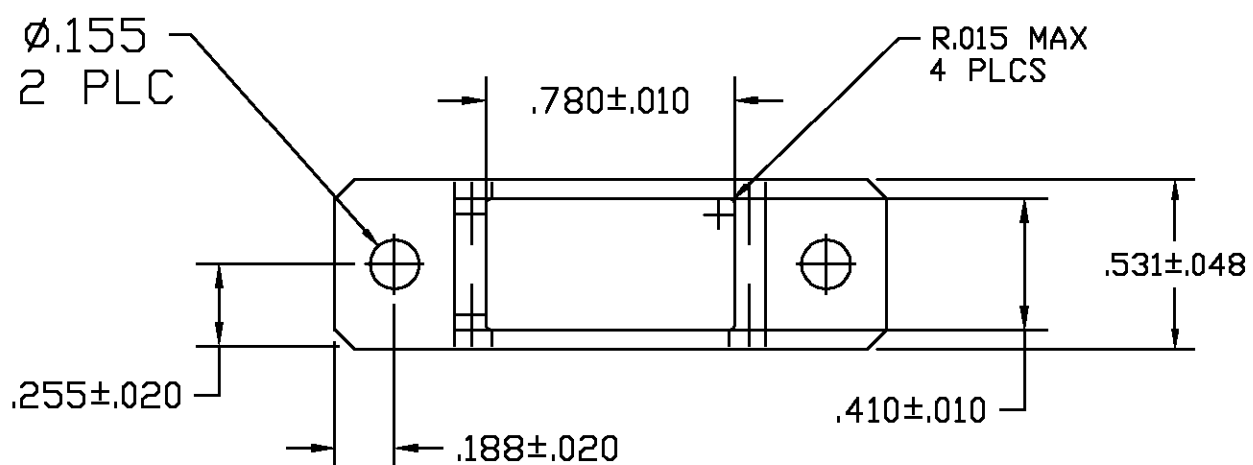


THIS DRAWING IS UNPUBLISHED. RELEASED FOR PUBLICATION .19  
 © COPYRIGHT 19 BY AMP INCORPORATED. ALL RIGHTS RESERVED.

LOC		DIST		REVISIONS			
P	LTR	DESCRIPTION	DATE	DWN	APVD		
DF	AO	B	REV & REDRAWN;OG3D-0167-00	4-00	CT	DM	



ELECTROLESS NICKEL PER QQ-N-290	ALUMINUM ALLOY 6061-T4	-----	591637-9
BLACK ANODIZED PER MIL-A-8625 TYPE II, CLASS 2	ALUMINUM ALLOY 6061-T4	8400-041-0020	591637-5
BLACK ANODIZED PER MIL-A-8625 TYPE II, CLASS 2	ALUMINUM ALLOY 6061-T4	53711-5190993	591637-4
BLACK ANODIZED PER MIL-A-8625 TYPE II, CLASS 2	ALUMINUM ALLOY 6061-T4	19207-12301876	591637-3
BLACK ANODIZED PER MIL-A-8625 TYPE II, CLASS 2	ALUMINUM ALLOY 6061-T4	19207-12283284	591637-2
BLACK ANODIZED PER MIL-A-8625 TYPE II, CLASS 2	ALUMINUM ALLOY 6061-T4	-----	591637-1
FINISH	MATERIAL	CUSTOMER NO. (3)	PART NUMBER

- 1 "AMP", AMP PART NO. AND DATE CODE MARKED WITH .060 MINIMUM HIGH CHARACTERS AT APPROXIMATE AREA SHOWN.
- 2. THIS FRAME ASSEMBLY ACCOMMODATES SIZE 22, 20 AND 16 FEED-BACK MODULE FOR SINGLE MODULE MOUNTING.
- 3 CUSTOMER PART NO. MARKED ( IF REQUIRED ) WITH .060 MINIMUM HIGH CHARACTERS AT APPROXIMATE AREA SHOWN.
- 4 MEASUREMENT POINT OF .870 DIMENSION.

THIS DRAWING IS A CONTROLLED DOCUMENT.

DIMENSIONS: INCHES	TOLERANCES UNLESS OTHERWISE SPECIFIED:	DWN C.C.THOMAS 4-25-00	AMP Incorporated Harrisburg, PA 17105-3608
	0 PLC ±	CHK D.MILLER 4-25-00	
	1 PLC ±	APVD D.MILLER 4-25-00	
	2 PLC ±.01	NAME	
3 PLC ±.005	PRODUCT SPEC	BRACKET,GROUNDING MODULE ASSEMBLY,TJ	
4 PLC ±	APPLICATION SPEC	SIZE	RESTRICTED TO
ANGLES ±	FINISH	CAGE CODE	1 OF 1
MATERIAL SEE TABLE	FINISH SEE TABLE	DRAWING NO	REV B
		WEIGHT	
		CUSTOMER DRAWING	

SCALE 2:1 SHEET 1 OF 1

## X-ON Electronics

Largest Supplier of Electrical and Electronic Components

*Click to view similar products for [Junction System Tools & Accessories](#) category:*

*Click to view products by [TE Connectivity](#) manufacturer:*

Other Similar products are found below :

[M81714/67-04](#) [RBGT-2](#) [M81714/67-06](#) [TJT400200](#) [YCTJ-3D-12V0030000](#) [SJT508404](#) [SJTC08000](#) [TJT701003](#) [TJT701008](#) [TJT703002](#)  
[YCTJ-3A-08C0560000](#) [RBD20-1](#) [00111922302](#) [RBMT10](#) [MDTB20-4](#) [00111922402](#) [00172023200](#) [PCL03ANZ04](#) [TJT701004](#) [RBR20-4](#)  
[PCL03AHZ08](#) [PCL03ANZ05](#) [TJT703005](#) [PCL03AHZ16](#) [PCL03AHZ12](#) [00118400034](#) [YCTJ-2A-01V0030000](#) [00611420007](#) [00611405118](#)  
[00611421005](#) [TJT701010](#) [00611420004](#) [TJT703003](#) [TJT703004](#) [AMY7200T1L72](#) [TJT703017](#) [00610100200](#) [RBDSC-2](#) [00111920202](#)  
[00111920302](#) [M81714/67-03](#) [M81714/1-DB3-LC](#) [00326210500](#) [BACC47ET1](#) [M8171411-20D](#) [M81714/12-20D-2](#) [M8171412-20D-2](#)  
[M81714/11-20D](#) [M81714/3-DA1](#) [M81714/67-03](#)