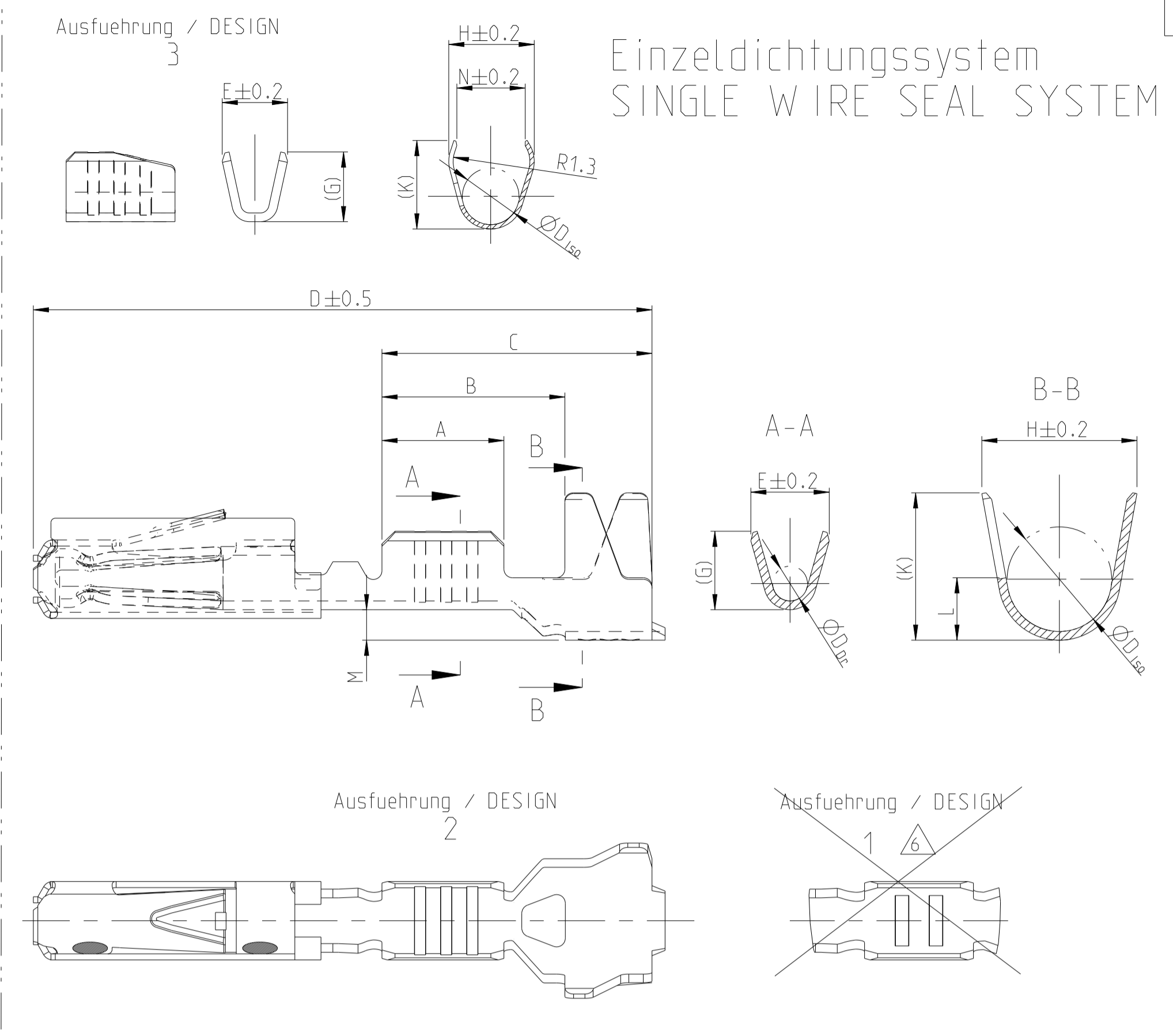
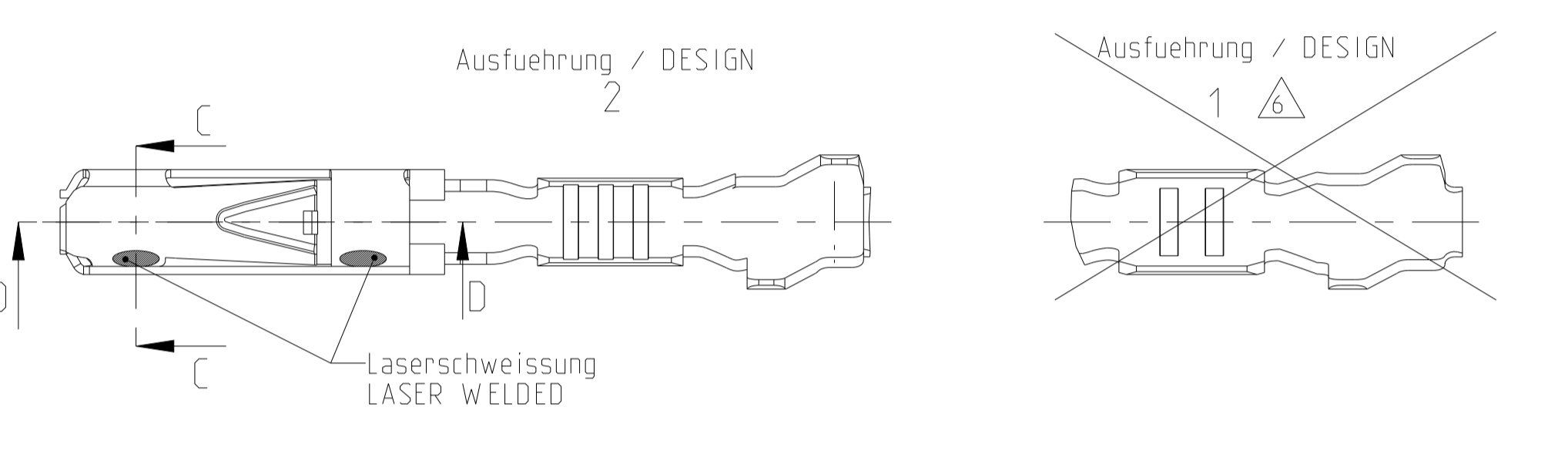
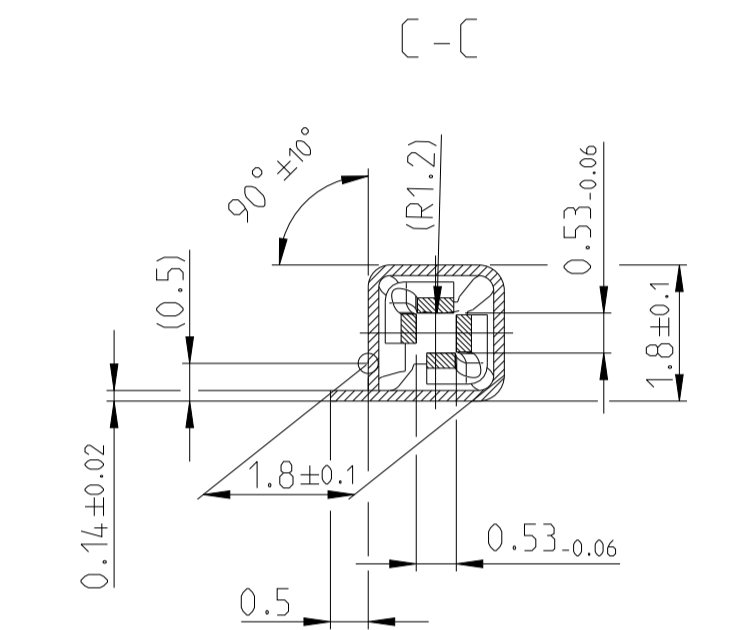
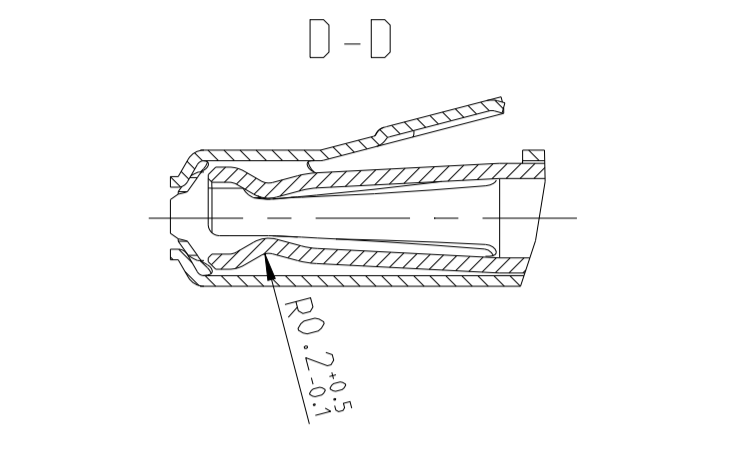
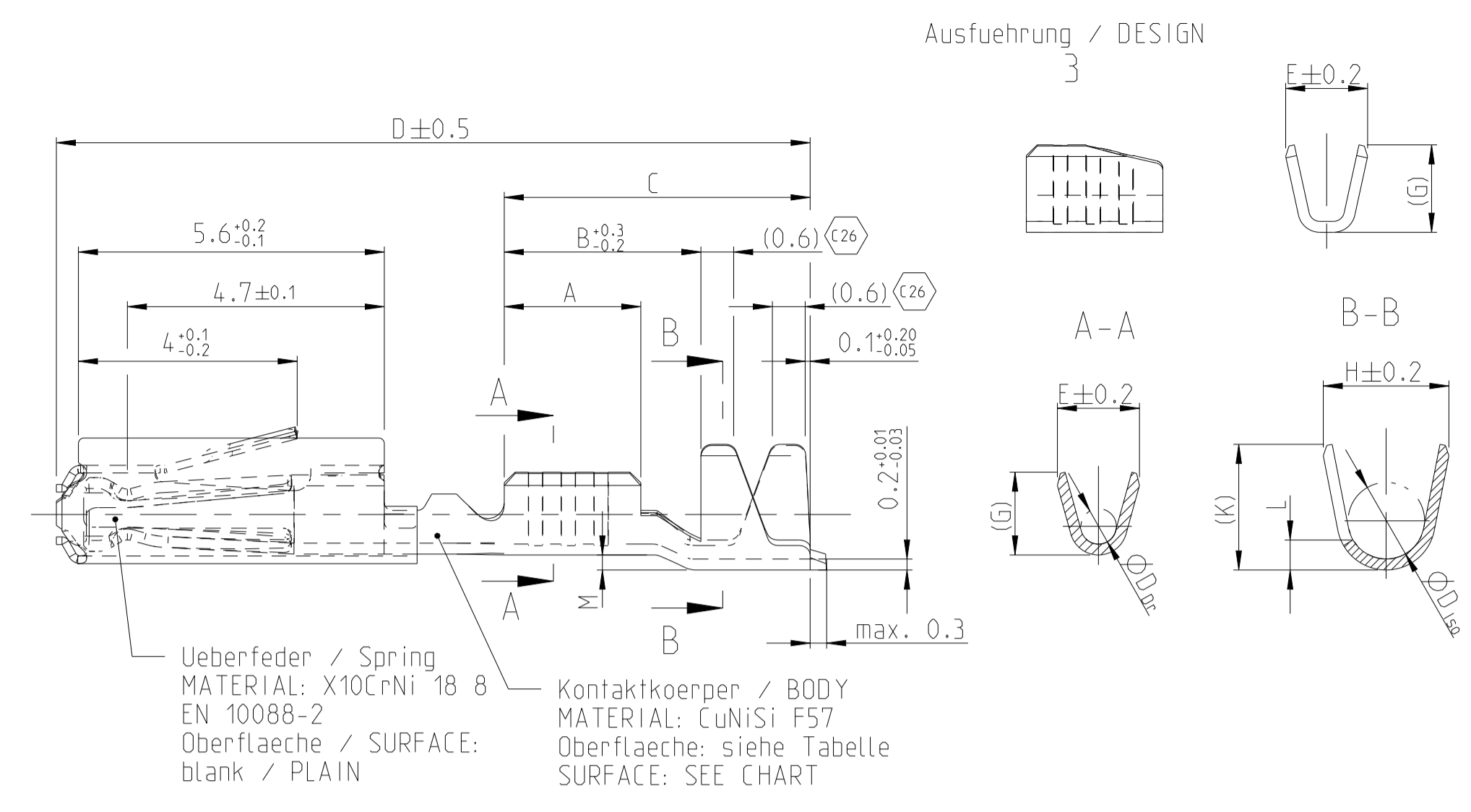
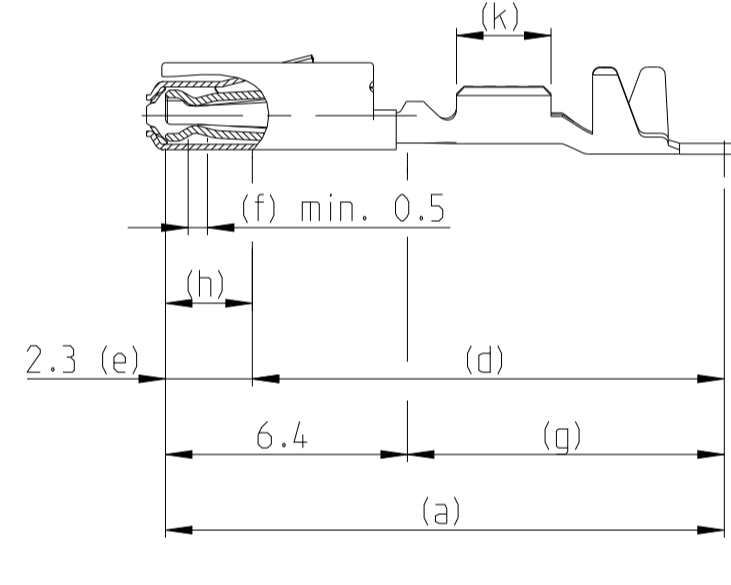


# Normale Anwendung USUAL APPLICATION



# Oberflaeche / FINISH



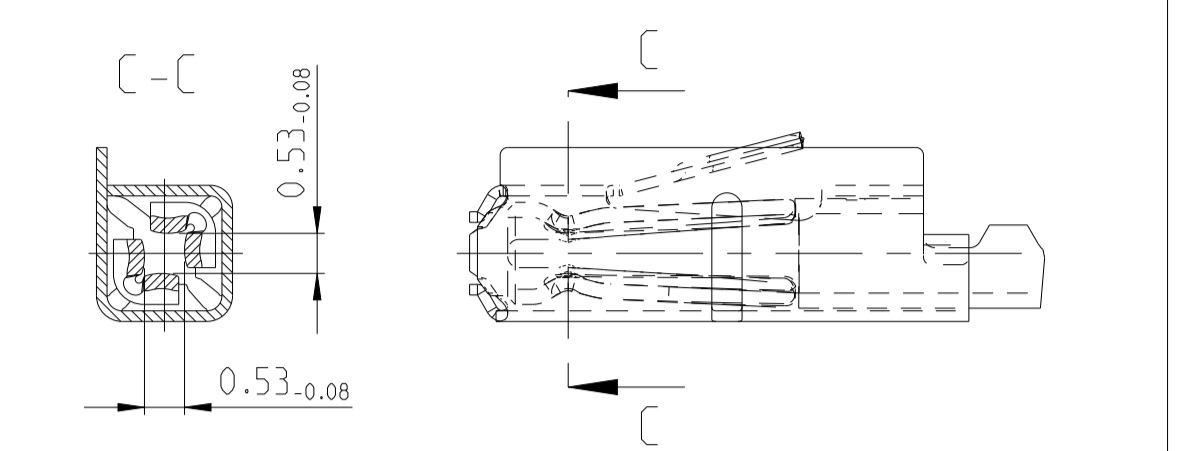
Sn: verzinnete Ausfuehrung  
TINNED  
(a) Kontaktkoerper: 0.8 - 2 µm Sn  
BODY: 0.8 - 2 µm Sn

Ag: versilbert  
SILVER  
(e) min. 0.3 µm Ag  
(f) min. 2.8 µm Ag INSIDE  
min. 2.8 µm Ag innen  
(g) min. 0.2 µm Sn  
(k) min. 0.8 - 2 µm Sn

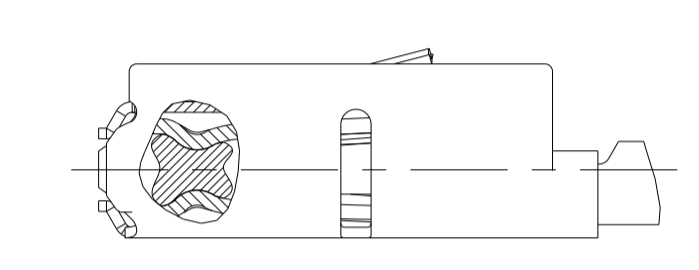
Au (galvanisch): galvanisch vergoldet  
GOLD-ELECTROPLATED  
(d) 0.05-1 µm Ni, beidseitig  
0.05-1 µm Ni, ON BOTH SIDES  
(e) 1-3 µm Ni, beidseitig  
1-3 µm Ni, ON BOTH SIDES  
(f) min. 1.8 µm Au ueber (e), innen  
MIN. 1.8 µm Au OVER (e), INSIDE  
(g) min. 0.2 µm Sn ueber (d), beidseitig  
MIN. 0.2 µm Sn OVER (d), ON BOTH SIDES  
(h) Au galvanisch aufaufend  
Au OVERPLATING  
(k) min. 0.8 - 2.0 µm Sn

LOC	DIST	REVISIONS				
A1	-	PLN	DESCRIPTION	DATE	DMN	APVD
C23			Definition of measurement point f. contact height	30APR2019	FRAN	BERG
C24			See PCN E-19-011079	09DEC2019	MAH.	BERG
C25			See PCN E-20-001102	28AUG2020	MAH.	BERG
C26			See PCN E-20-016678 and PCN-21-110979	20AUG2021	FRAN	BERG

# versilberte/vergoldete Ausfuehrung SILVER/GOLD VERSION

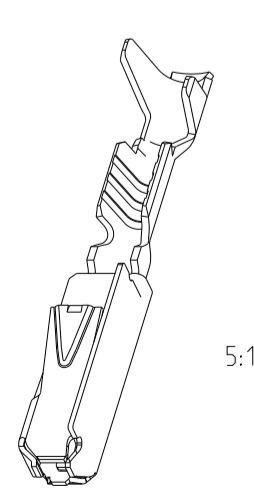
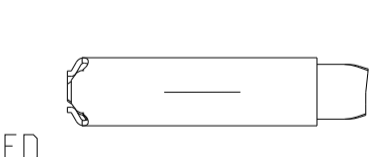
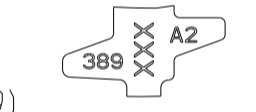


# GEL VERSION



- Bemerkungen
- Datumscode (Woche/Jahr z.B. KW 38/Jahr2009) und TE-Revision (z.B. Rev.A) DATE CODE (WEEK/YEAR E.G. WEEK NUMBER 38/YEAR2009) AND TE REVISION (E.G. REV. A)
  - Passend zu Stiftkontakt siehe Zeichnung 929453 SUITABLE FOR PIN CONTACT SEE DRAWING 929453
  - Einzelheiten der Ausfuehrung bleiben dem Hersteller ueberlassen DETAILS OF DESIGN ARE LEFT TO MANUFACTURER
  - Nur fuer FLR-Leitung nach DIN 72551 Teil 6 FOR FLR-CONDUCTOR ACCORDING TO DIN 72551-6 ONLY
  - 
  - nicht fuer Neuanwendung NOT FOR NEW APPLICATION
  - zugverstaerkte Leitung nach LV 112-4 REINFORCED WIRE ACCORDING LV 112-4
  - Bei doppelt fallenden Werkzeugen wird die erste Ueberfeder mit einer Kennzeichnung "-" versehen WITH DOUBLE OUT DIES THE FIRST SPRING WILL BE PROVIDED WITH AN INDICATION "-"
  - Varianten von Design1 werden durch die entsprechenden Versionen von Design2 ersetzt VARIANTS OF DESIGN1 ARE SUPERSEDED BY CORRESPONDING VERSIONS OF DESIGN2

Bestell-Nr. Ausfuehrung ORDER NO. DESIGN	Bestell-Nr. Ausfuehrung ORDER NO. DESIGN	Rev.	Bestell-Nr. Ausfuehrung ORDER NO. DESIGN	Rev.	VERSION	DGB Wire Size Range mm <sup>2</sup>	Oberflaeche SURFACE	Laenge LENGTH mm	Drahtcrimp WIRE CRIMP mm	Iso-crimp INSU-CRIMP mm	Gewicht WEIGHT g	Vergarbitung Spez. APPLICATION SPEC.	DGB Wire Size Range mm <sup>2</sup>	Isolations Ø INSULATING DIA. mm	fuer Kammer Ø3.45 FOR CAVITY DIA. 3.45 mm	Blindstopfen RUBBER PLUG	fuer Kammer Ø4 FOR CAVITY DIA. 4 mm	Blindstopfen RUBBER PLUG	zugehoerige Einzeldichtung / SUITABLE SINGLE WIRE SEAL				
6-965906-5	5-965906-6	E	1-965906-5	D	Einzeldichtungssystem SINGLE WIRE SEAL SYSTEM	0.50-0.75	Au-Gel	A = 2.8 B = 4.2 C = 6.2 D = 14.3 M = 0.7	E = 2 G = 2.1 D <sub>Dr</sub> = 1	H = 3.5 K = 3.4 L = 1.5 D <sub>Iso</sub> = 2.4	0.13	114-18025	0.75	1.4-1.9	967067-1	967056-1 blau / BLUE	963142-1	967056-1 blau / BLUE					
5-965906-6	5-965906-5	D	965906-6	C			Au	A = 2.5 B = 3.9 C = 5.9 D = 14 M = 0.7	E = 1.8 G = 1.8 D <sub>Dr</sub> = 0.8	H = 3.5 K = 3.4 L = 1.5 D <sub>Iso</sub> = 2.4					0.35		0.9-1.4			967067-2	963142-2		
5-965906-5	5-965906-1	E	965906-5	D			Sn	A = 2.5 B = 4.3 C = 6.2 D = 14.2 M = 0.6 (C26)	E = 1.5 G = 1.4	H = 4 K = 3.9 L = 3.1 D <sub>Iso</sub> = 2.6					0.2		0.85-1.25			967067-2	963142-2		
5-965906-1	5-962885-6	D	965906-1	C			Ag	A = 2.5 B = 3.6 C = 5.6 D = 13.7 M = 0.2	E = 2 G = 2.1 D <sub>Dr</sub> = 1	H = 2.7 K = 2.9 L = 0.7 D <sub>Iso</sub> = 1.6					0.13					967067-2	963142-2		
5-962885-6	5-962885-5	J	962885-6	H	normale Anwendung USUAL APPLICATION	0.25-0.35	Au-Gel	A = 2.5 B = 3.6 C = 5.6 D = 13.7 M = 0.2	E = 1.8 G = 1.8 D <sub>Dr</sub> = 0.8	H = 2.3 K = 2.3 L = 0.6 D <sub>Iso</sub> = 1.4	0.11	114-18021	0.11										
5-962885-5	5-962885-1	K	962885-5	J			Au	A = 2.5 B = 3.7 C = 5.4 D = 13.7 M = 0	E = 1.5 G = 1.4	H = 1.9 K = 1.9 D <sub>Iso</sub> = 1.1										0.13	0.85-1.25	967067-2	963142-2
5-962885-1	2141826-6	J	962885-1	H			Sn	A = 2.5 B = 3.7 C = 5.4 D = 13.7 M = 0	E = 1.5 G = 1.5 D <sub>Dr</sub> = 0.65	H = 2 K = 2 D <sub>Iso</sub> = 1.1										0.17		gelb YELLOW	grau GREY
2141826-6	2141826-5	A					Ag	A = 2.5 B = 3.7 C = 5.4 D = 13.7 M = 0	E = 1.5 G = 1.4	H = 1.9 K = 1.9 D <sub>Iso</sub> = 1.1										0.1		gelb YELLOW	grau GREY
2141826-5	2141826-1	A			Sn	A = 2.5 B = 3.7 C = 5.4 D = 13.7 M = 0	E = 1.5 G = 1.4	H = 1.9 K = 1.9 D <sub>Iso</sub> = 1.1	0.1		gelb YELLOW	grau GREY											
2141826-1	6-963715-5	A			Ag	A = 2.5 B = 3.7 C = 5.4 D = 13.7 M = 0	E = 1.5 G = 1.5	H = 2 K = 2 D <sub>Iso</sub> = 1.1	0.1		gelb YELLOW	grau GREY											
6-963715-5	5-963715-6	K	1-963715-5	J	normale Anwendung USUAL APPLICATION	0.13 / 0.17	Au-Gel	A = 2.8 B = 4.2 C = 6.2 D = 14.3 M = 0.7	E = 2 G = 2.1 D <sub>Dr</sub> = 1	H = 3.5 K = 3.4 L = 1.5 D <sub>Iso</sub> = 2.4	0.1	114-18025	0.75	1.4-1.9	967067-1	967056-1 blau / BLUE	963142-1	967056-1 blau / BLUE					
5-963715-6	5-963715-5	J	963715-6	H			Au	A = 2.5 B = 3.6 C = 5.6 D = 13.7 M = 0.2	E = 1.8 G = 1.8 D <sub>Dr</sub> = 0.8	H = 2.3 K = 2.3 L = 0.6 D <sub>Iso</sub> = 1.4					0.35		0.9-1.4			967067-2	963142-2		
5-963715-5	5-963715-5	K	963715-5	J			Sn	A = 2.5 B = 4.3 C = 6.2 D = 14.2 M = 0.6 (C26)	E = 1.5 G = 1.4	H = 4 K = 3.9 L = 3.1 D <sub>Iso</sub> = 2.6					0.2		0.85-1.25			967067-2	963142-2		
5-963715-5	6-928999-1	J	963715-1	H			Ag	A = 2.5 B = 3.6 C = 5.6 D = 13.7 M = 0.2	E = 2 G = 2.1 D <sub>Dr</sub> = 1	H = 2.7 K = 2.9 L = 0.7 D <sub>Iso</sub> = 1.6					0.13					967067-2	963142-2		
6-928999-1	5-928999-6	T	1-928999-5	S	normale Anwendung USUAL APPLICATION	0.25-0.35	Au-Gel	A = 2.5 B = 3.6 C = 5.6 D = 13.7 M = 0.2	E = 1.8 G = 1.8 D <sub>Dr</sub> = 0.8	H = 2.3 K = 2.3 L = 0.6 D <sub>Iso</sub> = 1.4	0.11	114-18021	0.11										
5-928999-6	5-928999-5	S	928999-6	R			Au	A = 2.5 B = 3.7 C = 5.4 D = 13.7 M = 0	E = 1.5 G = 1.5	H = 1.9 K = 1.9 D <sub>Iso</sub> = 1.1										0.13	0.85-1.25	967067-2	963142-2
5-928999-5	5-928999-1	T	928999-5	S			Sn	A = 2.5 B = 3.7 C = 5.4 D = 13.7 M = 0	E = 1.5 G = 1.5	H = 2 K = 2 D <sub>Iso</sub> = 1.1										0.17		gelb YELLOW	grau GREY
5-928999-1	2141824-6	S	928999-1	R			Ag	A = 2.5 B = 3.7 C = 5.4 D = 13.7 M = 0	E = 1.5 G = 1.4	H = 1.9 K = 1.9 D <sub>Iso</sub> = 1.1										0.1		gelb YELLOW	grau GREY
2141824-6	2141824-5	A			Sn	A = 2.5 B = 3.7 C = 5.4 D = 13.7 M = 0	E = 1.5 G = 1.4	H = 1.9 K = 1.9 D <sub>Iso</sub> = 1.1	0.1		gelb YELLOW	grau GREY											
2141824-5	2141824-1	A			Ag	A = 2.5 B = 3.7 C = 5.4 D = 13.7 M = 0	E = 1.5 G = 1.4	H = 1.9 K = 1.9 D <sub>Iso</sub> = 1.1	0.1		gelb YELLOW	grau GREY											
2141824-1	1355717-6	A			Sn	A = 2.5 B = 3.7 C = 5.4 D = 13.7 M = 0	E = 1.5 G = 1.5	H = 2 K = 2 D <sub>Iso</sub> = 1.1	0.1		gelb YELLOW	grau GREY											
1355717-6	1355717-5	A			Ag	A = 2.5 B = 3.7 C = 5.4 D = 13.7 M = 0	E = 1.5 G = 1.5	H = 2 K = 2 D <sub>Iso</sub> = 1.1	0.1		gelb YELLOW	grau GREY											
1355717-5	1355717-1	C			Au	A = 2.5 B = 3.7 C = 5.4 D = 13.7 M = 0	E = 1.5 G = 1.5	H = 2 K = 2 D <sub>Iso</sub> = 1.1	0.1		gelb YELLOW	grau GREY											
1355717-1		C			Sn	A = 2.5 B = 3.7 C = 5.4 D = 13.7 M = 0	E = 1.5 G = 1.5	H = 2 K = 2 D <sub>Iso</sub> = 1.1	0.1		gelb YELLOW	grau GREY											



THIS DRAWING IS A CONTROLLED DOCUMENT.		DMN S. Garcia 05JAN1999	TE Connectivity	
DIMENSIONS: mm		CHK M. Bleicher 13AUG2003	NAME	
TOLERANCES UNLESS OTHERWISE SPECIFIED: ±0.2		APVD M. Bleicher 13AUG2003	PRODUCT SPEC	
MATERIAL: -		114-18030	APPLICATION SPEC	
FINISH: -		114-18021 / 114-18025	RESTRICTED TO	
CUSTOMER DRAWING		SCALE 10:1	SHEET 1 of 1	
00779		C=929454		REV C.26

## X-ON Electronics

Largest Supplier of Electrical and Electronic Components

*Click to view similar products for [Automotive Connectors](#) category:*

*Click to view products by [TE Connectivity](#) manufacturer:*

Other Similar products are found below :

[003-018-000](#) [60403001](#) [60993906-B](#) [M902-2131](#) [M902-2161](#) [M902-2344](#) [72.330.1035.1](#) [73.353.4028.0](#) [F119300-B](#) [F166900](#) [F258300-B](#)  
[F358300-B](#) [F407400](#) [F444110](#) [F487000](#) [F509500B-B](#) [827153-1](#) [8N1515-32-24P](#) [9-1326729-8](#) [925474-1](#) [928905-1](#) [964562-4](#) [968782-1](#)  
[GT17SA-8DS-HU](#) [98891-1012](#) [98947-1016](#) [12004147](#) [12004475-L](#) [12010290](#) [12010309-B](#) [12015454](#) [12020219-B](#) [12041318-B](#) [12052225-](#)  
[L](#) [12052466](#) [12064869](#) [12004327-B](#) [12015308](#) [12015384](#) [12015909](#) [1-21030-1](#) [12041254](#) [12041318](#) [12047946-B](#) [12047957](#) [12047957-L](#)  
[12059473](#) [12066261](#) [12110546](#) [12110546-B](#)