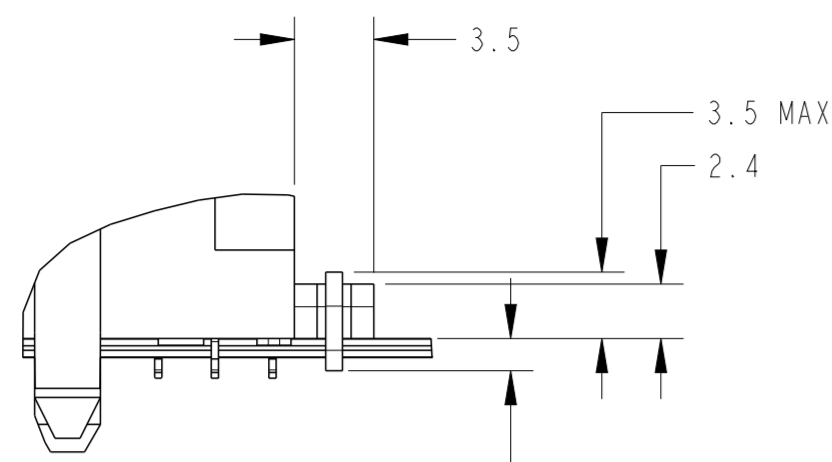
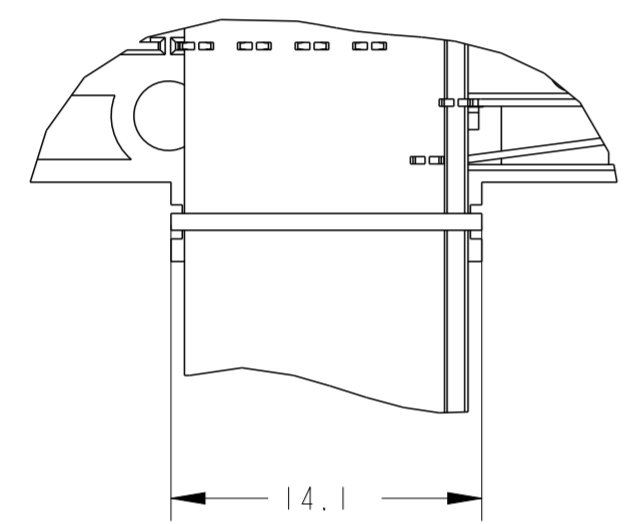


THIS DRAWING IS UNPUBLISHED. RELEASED FOR PUBLICATION
 © COPYRIGHT - ALL RIGHTS RESERVED.

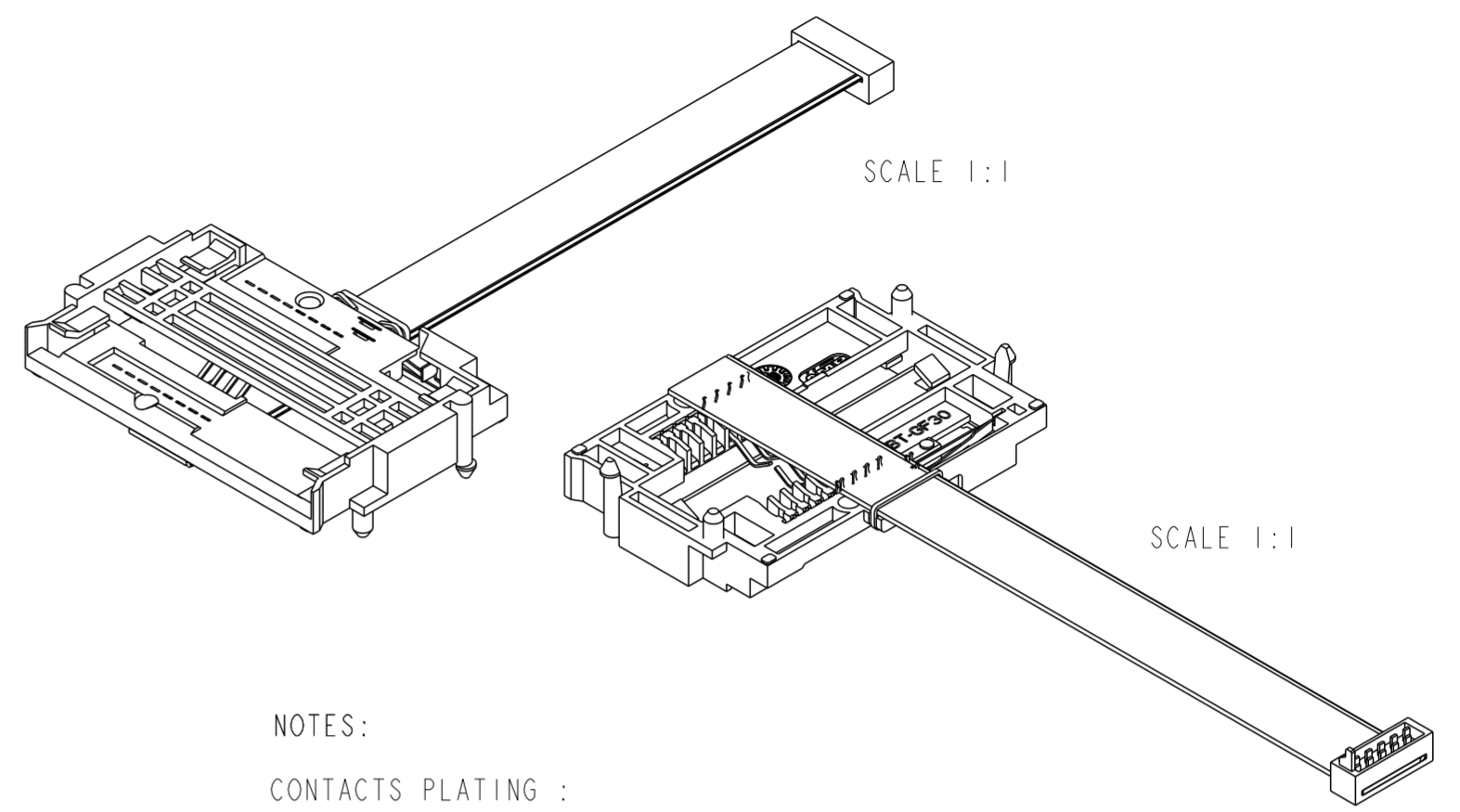
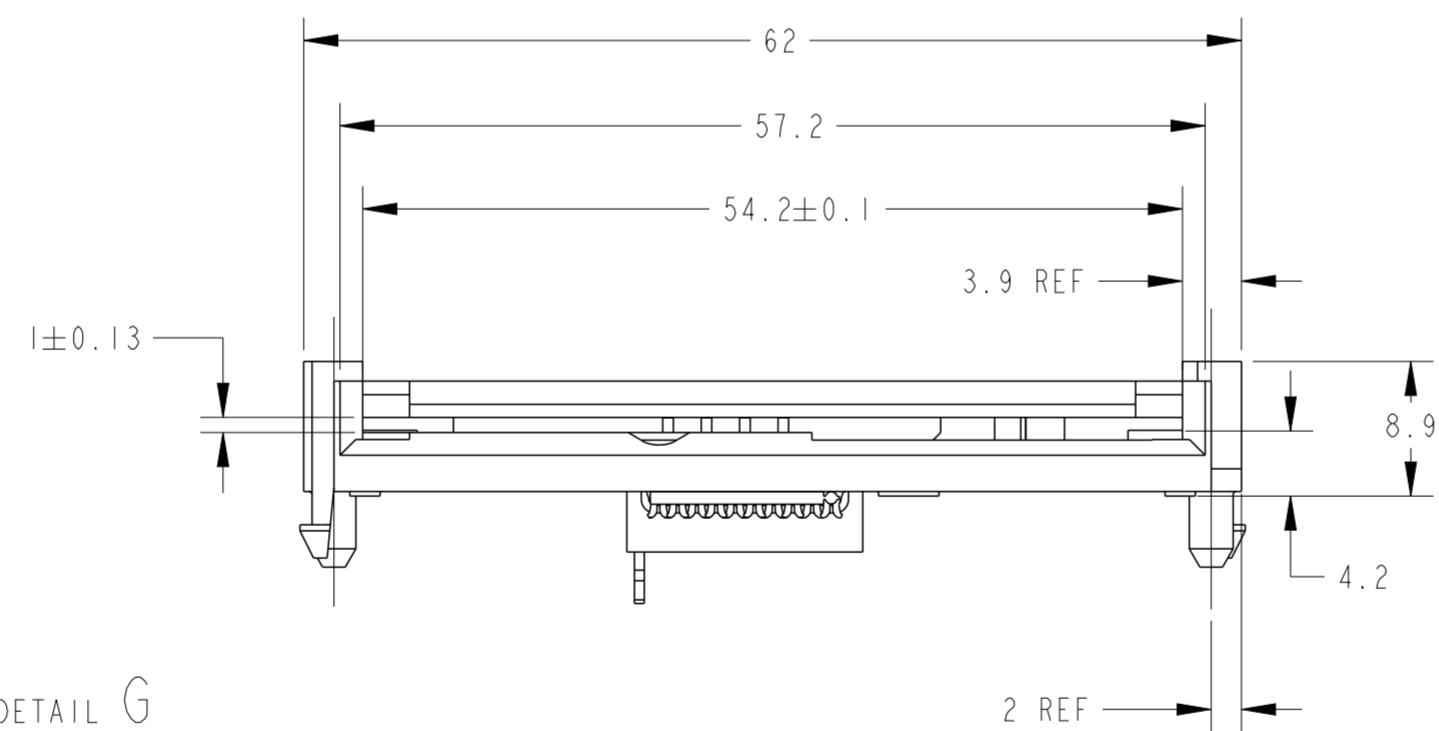
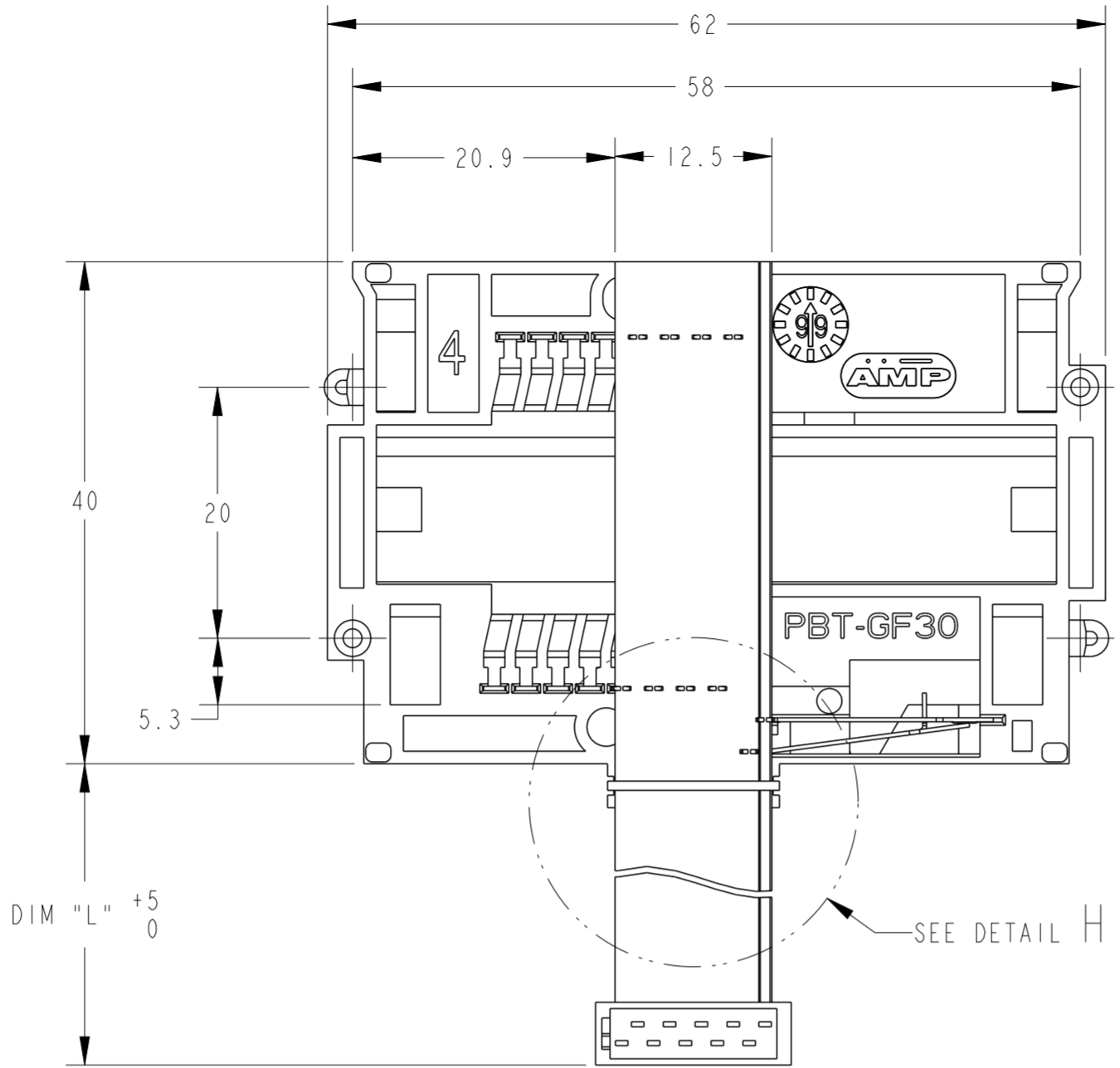
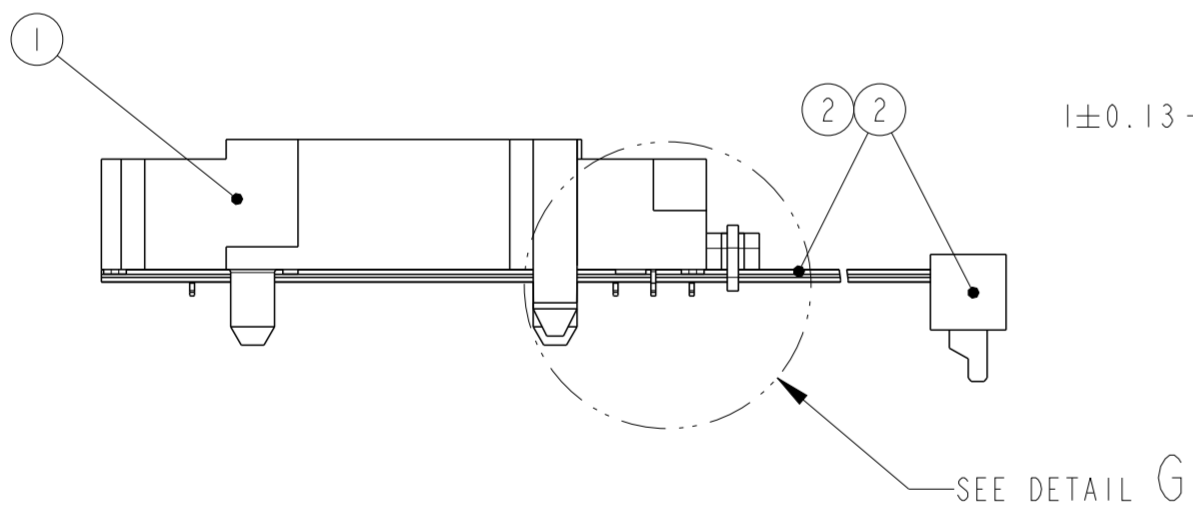
LOC	DIST	REVISIONS			
P	LTR	DESCRIPTION	DATE	DWN	APVD
IR	-	B3	ECR-13-005824	27OCT2014	GG RRP



DETAIL G
SCALE 3:1



DETAIL H
SCALE 3:1



NOTES:

CONTACTS PLATING :

- 1 OVERALL: Ni 2µm MIN, ALL OVER THE CONTACTS.
- 2 SOLDER ZONE: Sn 2.5µm MIN ON THE SOLDER ZONE OF THE CONTACTS.
- 3 MATING ZONE: PLATING CONFIRMS TO PRODUCT REQUIREMENTS AS PER SPECIFICATION 108-15174.

MATERIAL :

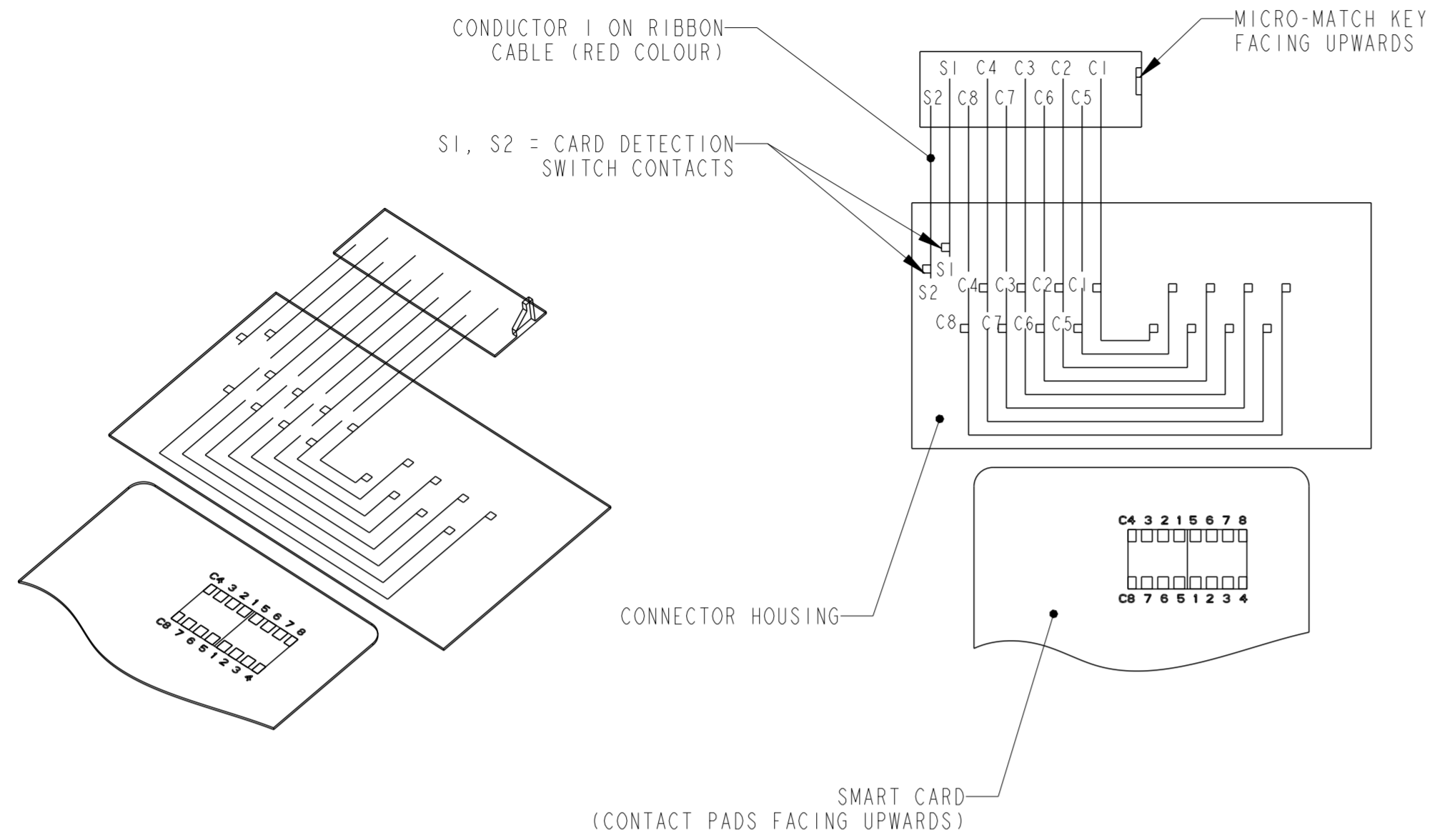
- 1 HOUSING: PBT-GF, BLACK UL 94V0.
- 2 CONTACTS: PHOSPHOR BRONZE.
- 3 TE SMART CARD RECEPTACLE DESIGNED TO ACCEPT ISO 7810-7816 TYPE INTEGRATED CIRCUIT SMART CARDS (0.76MM REF. THICKNESS) SEE SHEET 2/2
- 4 UL STYLE 2651 RIBBON CABLE AND, 10 POSITIONS MICRO-MATCH CONNECTOR; TO BE MATED WITH 1-215079-0 THROUGH HOLE VERSION OR 1-188275-0 SMT VERSION.

ASS'Y P/N 5953131	OBSOLETE					DESCRIPTION	ITEM
	-5	-4	-3	-2	-1		
						FERRITE CORE (SEE SHEET 2)	3
						RIBBON CABLE ASS'Y, L = 80mm	2
						RIBBON CABLE ASS'Y, L = 150mm	2
						RIBBON CABLE ASS'Y, L = 305mm	2
						RIBBON CABLE ASS'Y, L = 100mm	2
						SMART CARD READER ASS'Y 8 POS. WITH METAL STRAIN RELIEF	1
						Qty per ASS'Y	

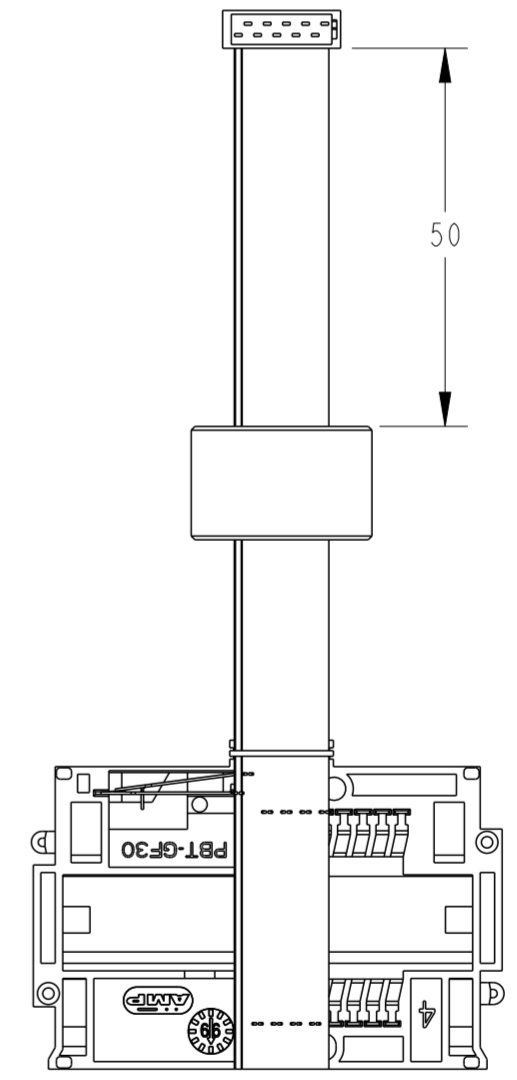
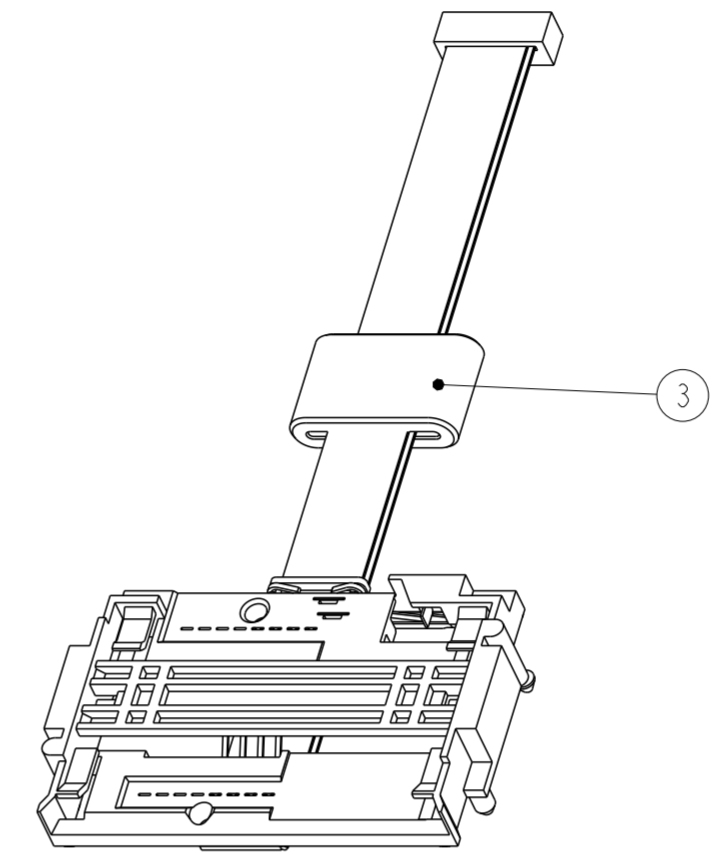
THIS DRAWING IS A CONTROLLED DOCUMENT.		DWN R. Coolen	30-Nov-04	TE Connectivity	
DIMENSIONS: mm		CHK W. Jansen			
TOLERANCES UNLESS OTHERWISE SPECIFIED:		APVD P. Jaeger		NAME	
0 PLC ±0,3		PRODUCT SPEC	108-15174	SMART CARD READER WITH RIBBON CABLE 8 POSITIONS	
1 PLC ±0,3		APPLICATION SPEC		SIZE	A2
2 PLC ±0,3		WEIGHT		CAGE CODE	
3 PLC ±		CUSTOMER DRAWING		DRAWING NO	G-5953131
4 PLC ±		SCALE	2:1	SHEET	1 OF 2
ANGLES ±		RESTRICTED TO		REV	B3
FINISH					

THIS DRAWING IS UNPUBLISHED. RELEASED FOR PUBLICATION
 © COPYRIGHT - ALL RIGHTS RESERVED.

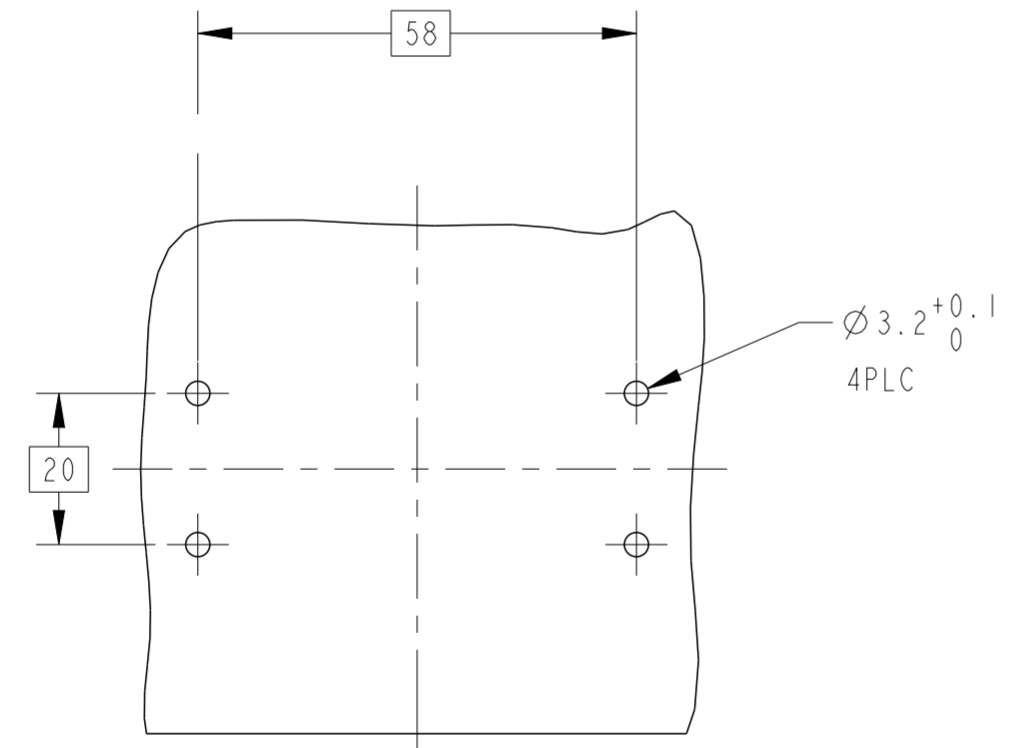
LOC	DIST	REVISIONS				
P	LTR	DESCRIPTION	DATE	DWN	APVD	
IR	-	SEE SHEET 1	-	-	-	



ELECTRICAL DIAGRAM



PN 5953131-5 AS SHOWN



SMART CARD
INSERTION DIRECTION

RECOMMENDED LAYOUT

CONNECTOR SIDE
 BOARD THICKNESS = 1.57mm
 POSITION TOLERANCE FOR ALL HOLES $\varnothing 0.1$

THIS DRAWING IS A CONTROLLED DOCUMENT.		DWN R. Coolen 30-Nov-04	TE Connectivity	
DIMENSIONS: mm		CHK W. Jansen		
TOLERANCES UNLESS OTHERWISE SPECIFIED:		APVD P. Jaeger	SMART CARD READER WITH RIBBON CABLE 8 POSITIONS	
0 PLC ±0,3		PRODUCT SPEC	SIZE A2	CAGE CODE
1 PLC ±0,3		APPLICATION SPEC	DRAWING NO	RESTRICTED TO
2 PLC ±0,3		WEIGHT	C-5953131	
3 PLC ±		CUSTOMER DRAWING	SCALE 2:1	SHEET 2 OF 2
4 PLC ±			REV B3	
ANGLES ±				
FINISH				

X-ON Electronics

Largest Supplier of Electrical and Electronic Components

Click to view similar products for [Memory Card Connectors](#) category:

Click to view products by [TE Connectivity](#) manufacturer:

Other Similar products are found below :

[M10-597810-355](#) [M21-033321-005](#) [6426-201-21343](#) [69.920.0553.0](#) [MCR60A-98D-2.54DSA\(70\)](#) [FCN-568P068-G/07-4V](#) [809180410000000](#)
[95622-003LF](#) [AD2-262F-38900-232](#) [DM3AT-SF-PEJM5\(41\)](#) [EN2997S72039F6](#) [N7E50-7516PG-20-WF](#) [IC11S-BUR-PNEJL\(71\)](#) [NX30TA-](#)
[15PAA\(50\)](#) [21920-5](#) [2041353-2](#) [FUA006-3220-0](#) [308-DS1P0811-192](#) [33CFAE-DN](#) [MI21A-50PD-SF-EJR\(91\)](#) [502431-1011](#) [5175651-2](#) [10-](#)
[247926-166](#) [10-629549-258N](#) [11327-001](#) [11327-002](#) [EN2997S02039B8](#) [EN2997S61212BN](#) [EN2997S72039B6](#) [EN2997SE02039B8](#)
[EN2997SE61212BN](#) [EN2997SE72039B6](#) [603020000](#) [617230001](#) [71-252718-32P](#) [NX1-32T-KT3K\(05\)](#) [95622-003LF](#) [91-570124-15P](#)
[192900-0488](#) [N7E50-U516RB-50-SIN0005](#) [DM1AA-SF-PEJ](#) [95079-00CALF](#) [84648-056HLF](#) [68-580163-21S](#) [33DVIR-29S12R](#)
[SF58S006VBBR2000](#) [93-570123-08P](#) [GMC020080HR](#) [125A-78C00](#) [1010040575#](#)