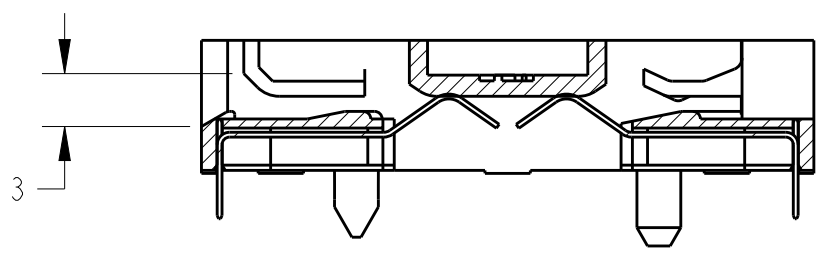


THIS DRAWING IS UNPUBLISHED. RELEASED FOR PUBLICATION
 © COPYRIGHT - ALL RIGHTS RESERVED.

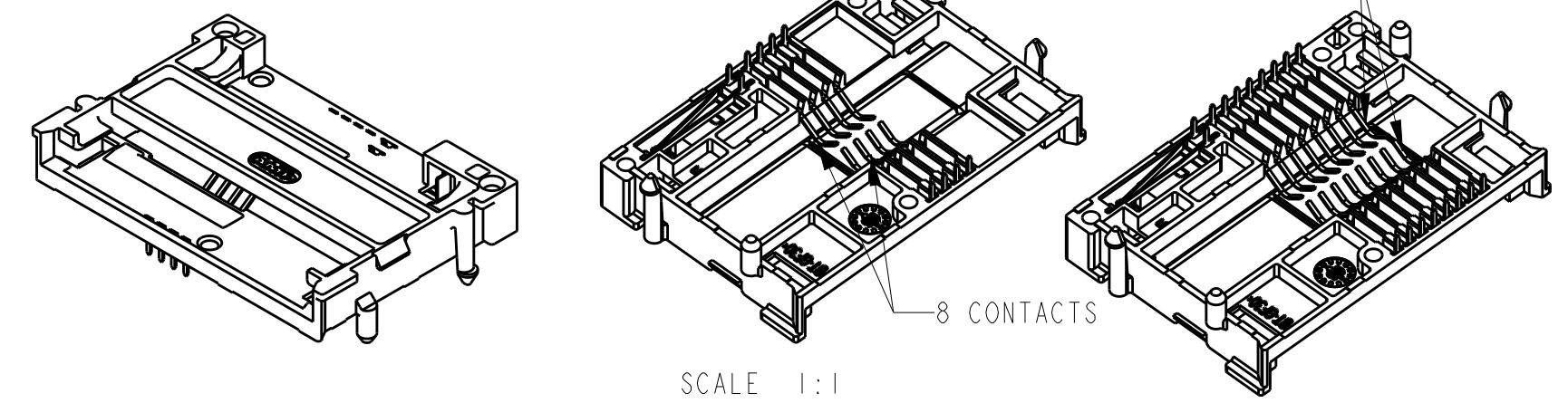
PN 5953398-1

PN 5953398-2

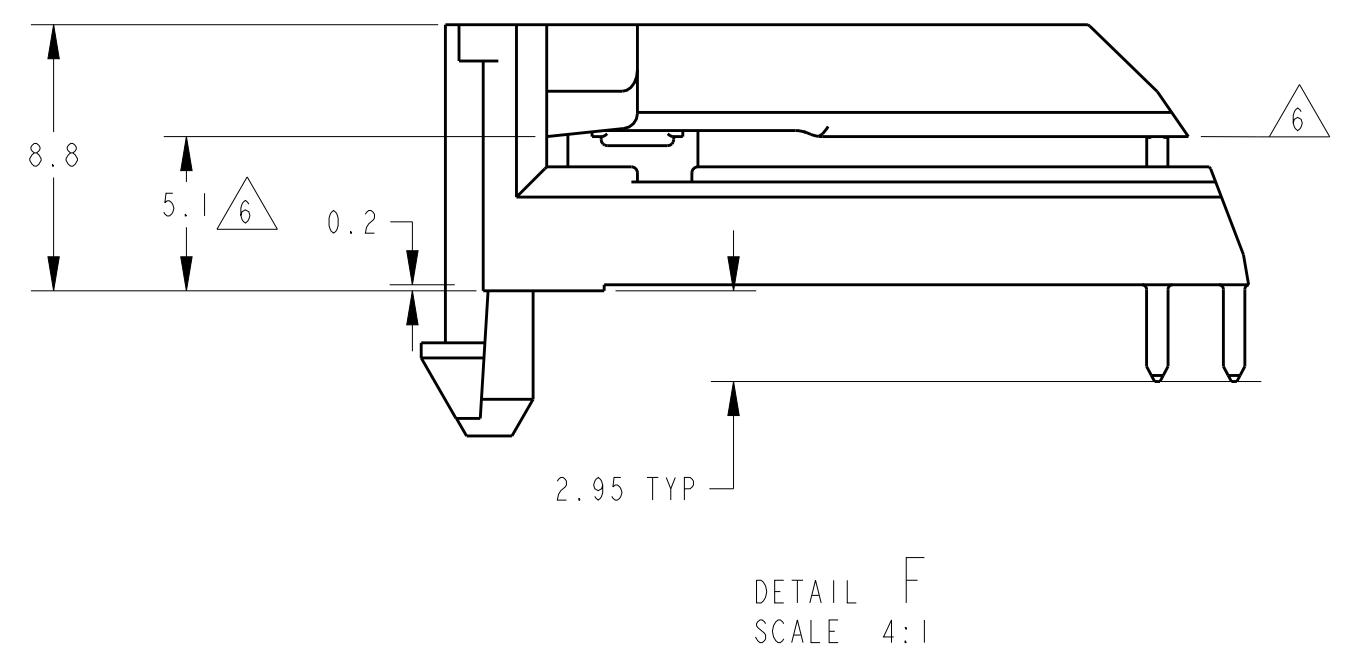
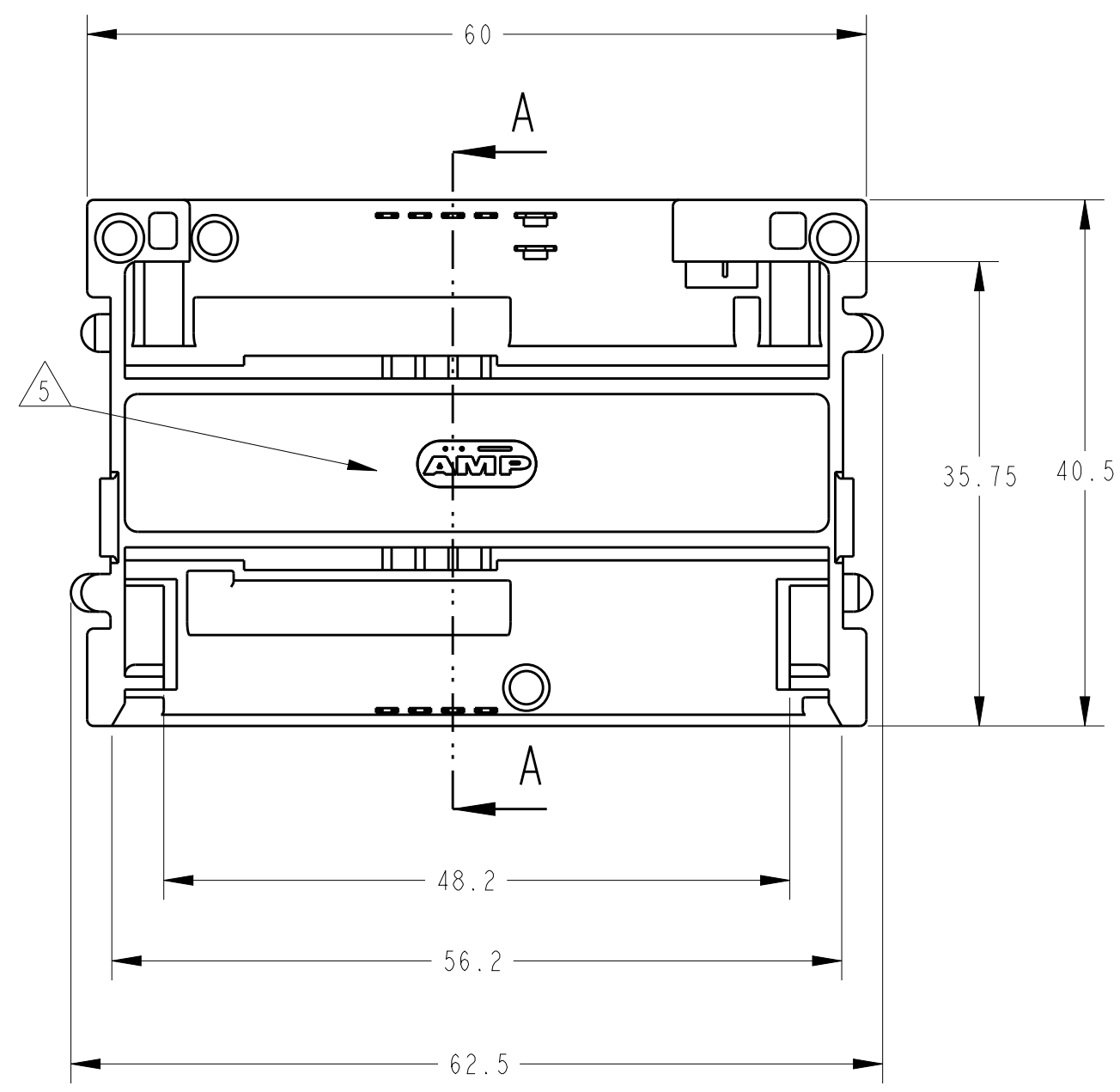
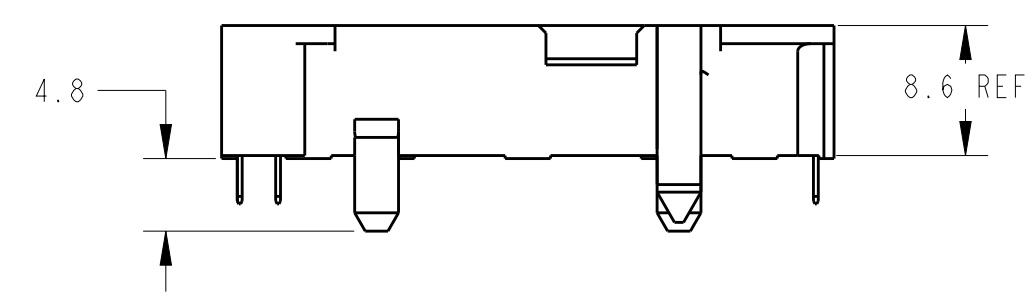
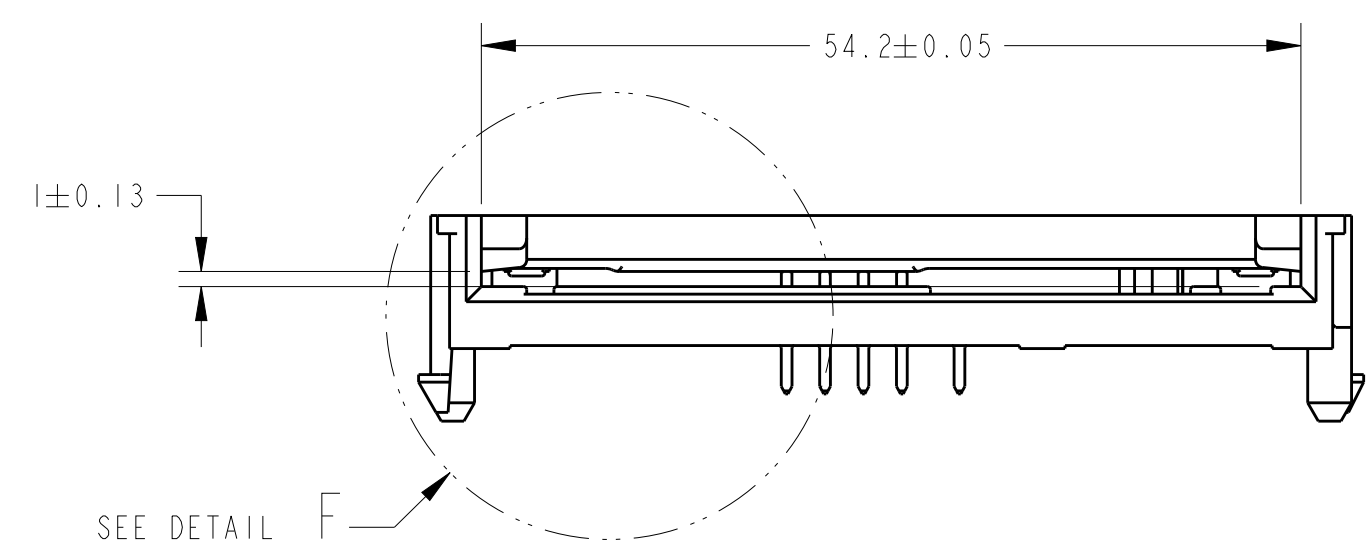
LOC		DIST		REVISIONS			
P	LTR	DESCRIPTION	DATE	DWN	APVD		
D		ECR-11-025634	20DEC2011	GG	RRP		
DI		REVISED PER ECR-19-006701	26APR2019	R.Z	S.L		



SECTION A-A



SCALE 1:1



DETAIL F
SCALE 4:1

NOTES:

CONTACTS PLATING :

- 1 OVERALL: Ni 2µm MIN, ALL OVER THE CONTACTS.
SOLDER ZONE: Sn 2.5µm MIN ON THE SOLDER ZONE OF THE CONTACTS.
MATING ZONE: PLATING CONFIRMS TO PRODUCT REQUIREMENTS AS PER SPECIFICATION 108-15202.

MATERIAL :

- 2 HOUSING: PBT-GF, BLACK UL 94V0.
CONTACTS: PHOSPHOR BRONZE.
- 3 TE SMART CARD RECEPTACLE DESIGNED TO ACCEPT ISO 7810-7816 TYPE INTEGRATED CIRCUIT SMART CARDS (0.76MM REF. THICKNESS) SEE SHEET 2/2
- 4 8 POSITIONS 5953398-1 SHOWN ON DRAWING
- 5 LOGO SHAPE AND POSITION VARY DEPENDING ON MOLD CAVITY NUMBER.
- 6 DIMENSION APPLICABLE IN CARD CONTACT AREA ONLY SURFACE VARY DEPENDING ON MOLD CAVITY NUMBER

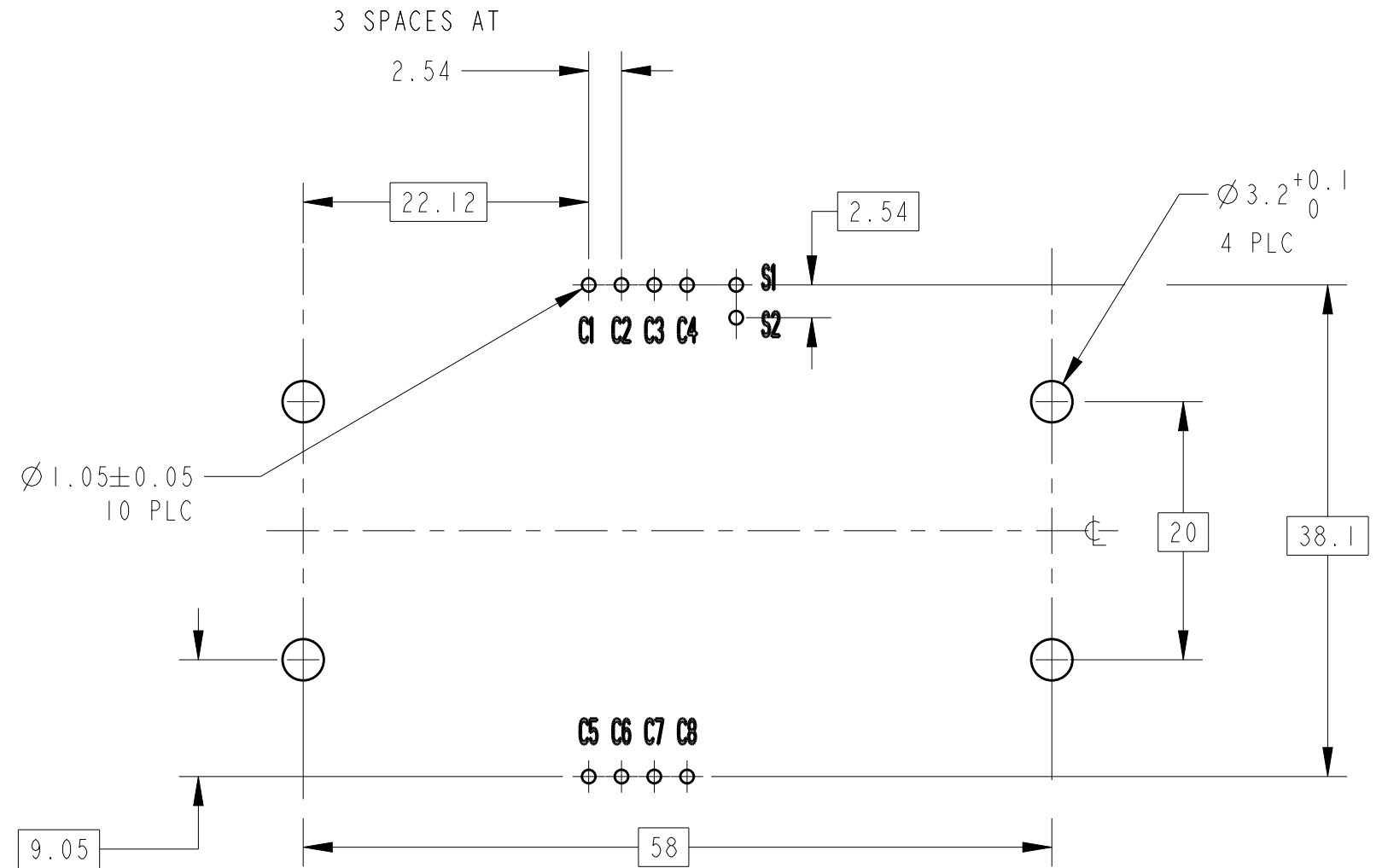
OBSELETE

PartNumber : 5953398-1	8 POSITIONS ISO 7816
PartNumber : 5953398-2	16 POSITIONS ISO / CP8 AFNOR

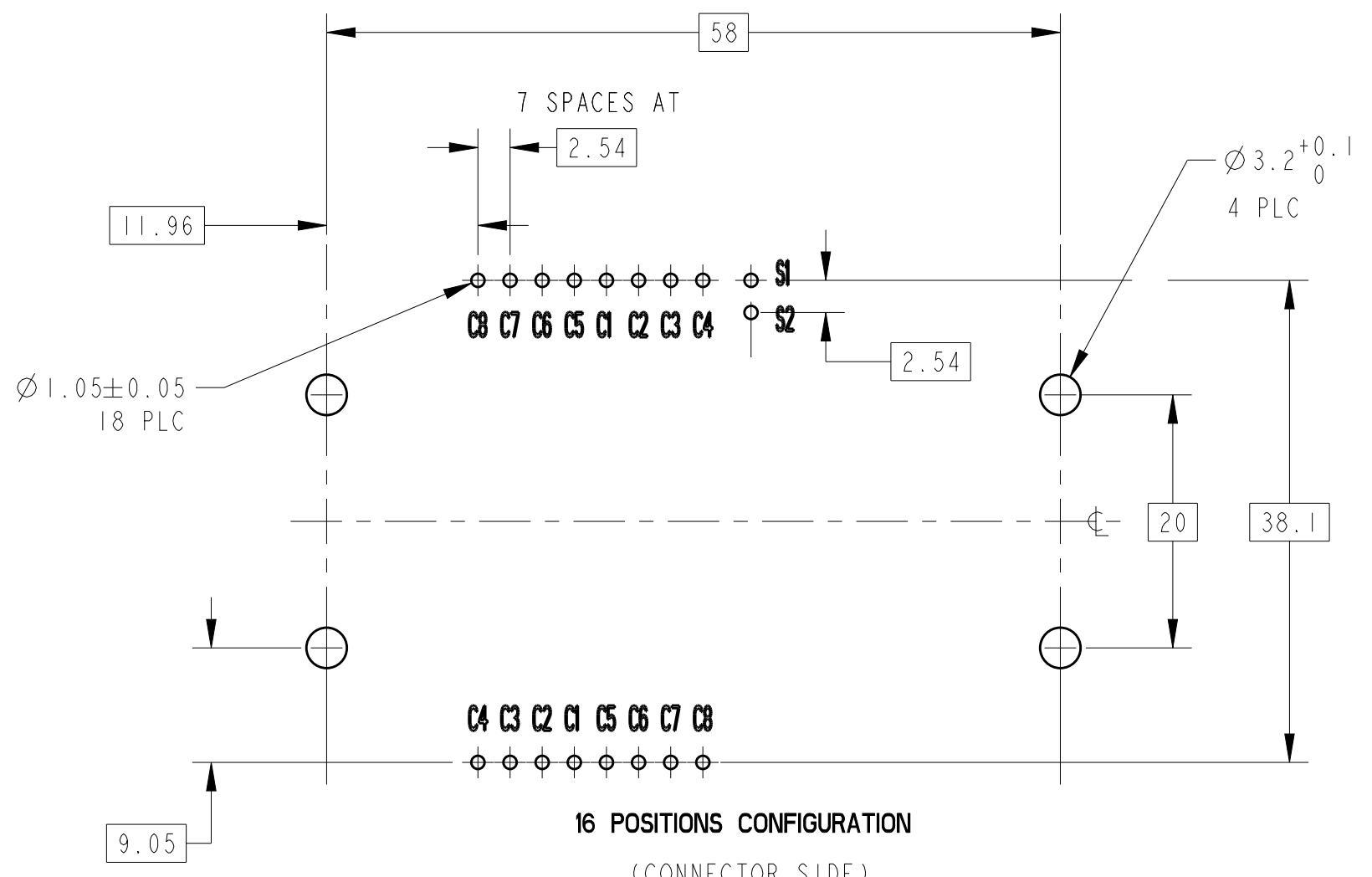
THIS DRAWING IS A CONTROLLED DOCUMENT.		DWN R. Coolen 16 Dec 04	TE Connectivity	
DIMENSIONS: mm		CHK W. Jansen		
TOLERANCES UNLESS OTHERWISE SPECIFIED:		APVD P. Jaeger	PRODUCT SPEC	
0 PLC ±0,5	1 PLC ±0,3	APPLICATION SPEC	108-15202	
2 PLC ±0,13	3 PLC ±	WEIGHT	8,5/9 g	
4 PLC ±	ANGLES ±	CUSTOMER DRAWING	SCALE 1:1	
MATERIAL		FINISH	RESTRICTED TO	
2		1	SIZE CAGE CODE DRAWING NO	
			A2 C-5953398	
			SHEET 1 OF 2 REV DI	

THIS DRAWING IS UNPUBLISHED. RELEASED FOR PUBLICATION
 © COPYRIGHT - ALL RIGHTS RESERVED.

LOC	DIST	REVISIONS			
P	LTR	DESCRIPTION	DATE	DWN	APVD
IR	-	SEE SHEET 1	-	-	-



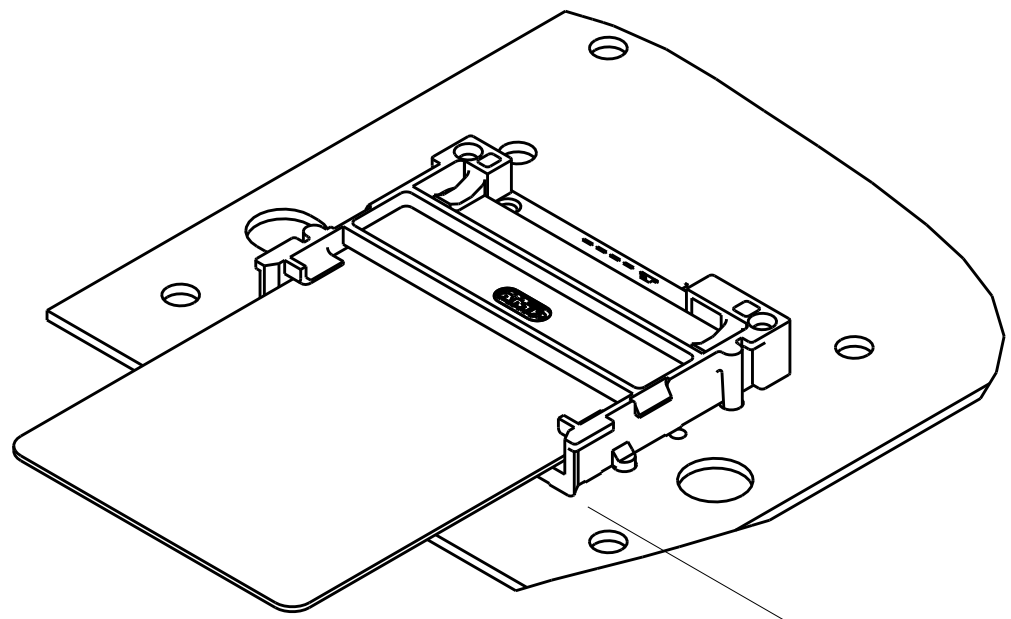
8 POSITIONS CONFIGURATION
 (CONNECTOR SIDE)
 SCALE 2:1



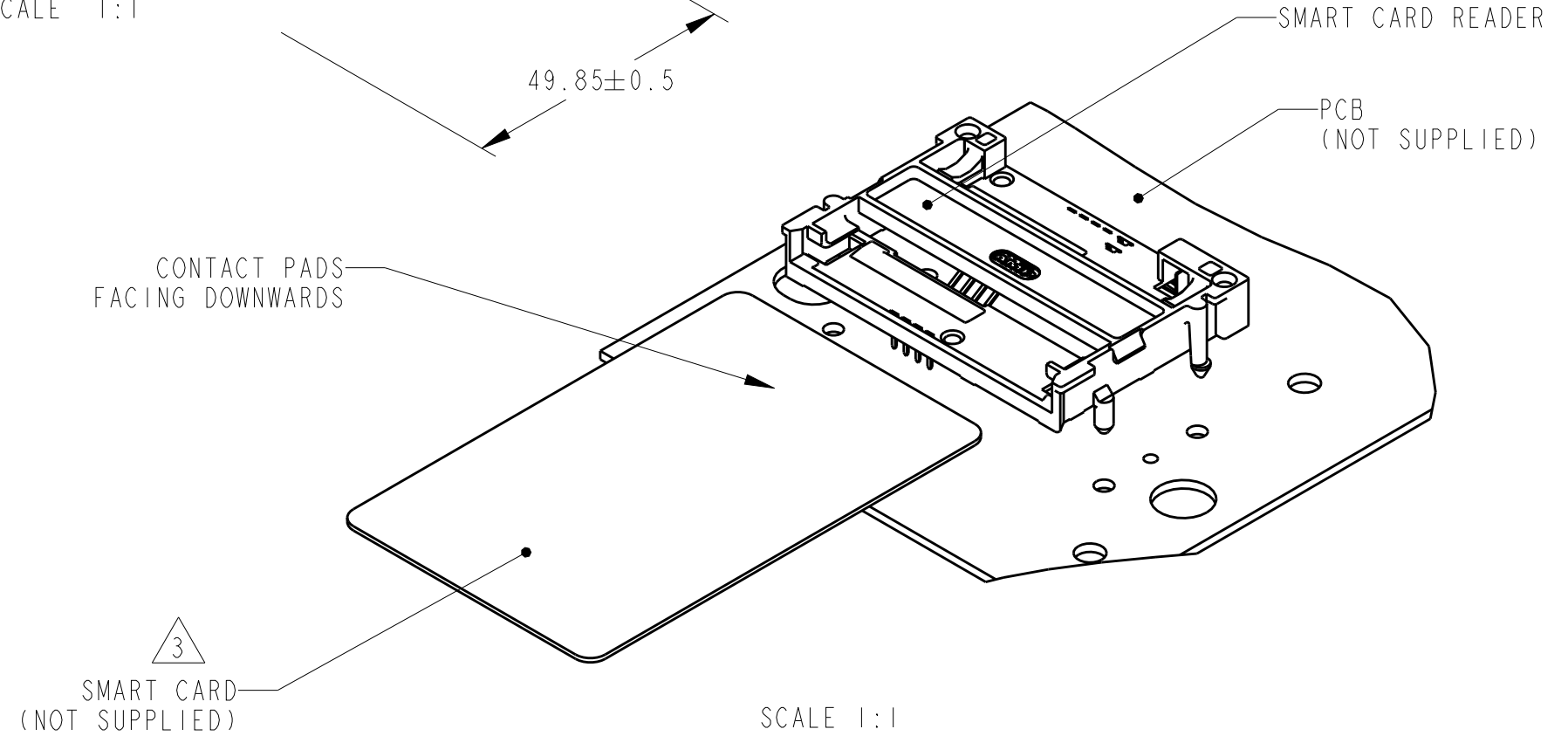
16 POSITIONS CONFIGURATION
 (CONNECTOR SIDE)

POSITION TOLERANCE FOR ALL HOLES $\pm \phi 0.1$
 PCB BOARD THICKNESS 1.57 ± 0.1 (.062)

RECOMMENDED PCB LAYOUT



SCALE 1:1



SCALE 1:1

PCB MOUNTING CONFIGURATION

THIS DRAWING IS A CONTROLLED DOCUMENT.		DWN R. Coolen 16 Dec 04	TE Connectivity	
DIMENSIONS: mm		CHK W. Jansen		
TOLERANCES UNLESS OTHERWISE SPECIFIED:		APVD P. Jaeger	NAME SMART CARD READER 0.76	
0 PLC ±0,5	1 PLC ±0,3	PRODUCT SPEC 108-15202	PCB MOUNT THROUGH HOLE, LOW PROFILE	
2 PLC ±0,13	3 PLC ±	APPLICATION SPEC	BLADE SWITCH NORMALLY CLOSED	
4 PLC ±	ANGLES ±	WEIGHT 8,5/9 g	SIZE A2	CAGE CODE C-5953398
MATERIAL	FINISH	CUSTOMER DRAWING	SCALE 1:1	SHEET 2 OF 2

X-ON Electronics

Largest Supplier of Electrical and Electronic Components

Click to view similar products for [Memory Card Connectors](#) category:

Click to view products by [TE Connectivity](#) manufacturer:

Other Similar products are found below :

[M21-033321-005](#) [6426-201-21343](#) [69.920.0553.0](#) [MCR60A-98D-2.54DSA\(70\)](#) [FCN-568P068-G/07-4V](#) [809180410000000](#) [95622-003LF](#)
[DM3AT-SF-PEJM5\(41\)](#) [EN2997S72039F6](#) [N7E50-7516PG-20-WF](#) [IC11S-BUR-PNEJL\(71\)](#) [NX30TA-15PAA\(50\)](#) [NX60TA-25SAA9-](#)
[SP\(50\)](#) [21920-5](#) [2041353-2](#) [FUA006-3220-0](#) [33CFAE-DN](#) [MI21A-50PD-SF-EJR\(91\)](#) [502431-1011](#) [5175651-2](#) [10-247926-166](#)
[EN2997S02039B8](#) [EN2997S61212BN](#) [EN2997S72039B6](#) [EN2997SE02039B8](#) [EN2997SE61212BN](#) [EN2997SE72039B6](#) [NX1-32T-](#)
[KT3K\(05\)](#) [95622-003LF](#) [91-570124-15P](#) [192900-0488](#) [DM1AA-SF-PEJ](#) [95079-00CALF](#) [84648-056HLF](#) [68-580163-21S](#) [33DVIR-29S12R](#)
[SF58S006VBBR2000](#) [93-570123-08P](#) [GMC020080HR](#) [125A-78C00](#) [1010040575#](#) [MI20A-50PD-SF-EJL\(71\)](#) [KP10S-SF-PEJ\(812\)](#)
[DM1AA-SF-PEJ\(31\)](#) [FO-10GGBLCX20-002](#) [504536-0691](#) [115S-ACA2](#) [115S-ACA3](#) [115S-BS00](#) [115S-BT00](#)