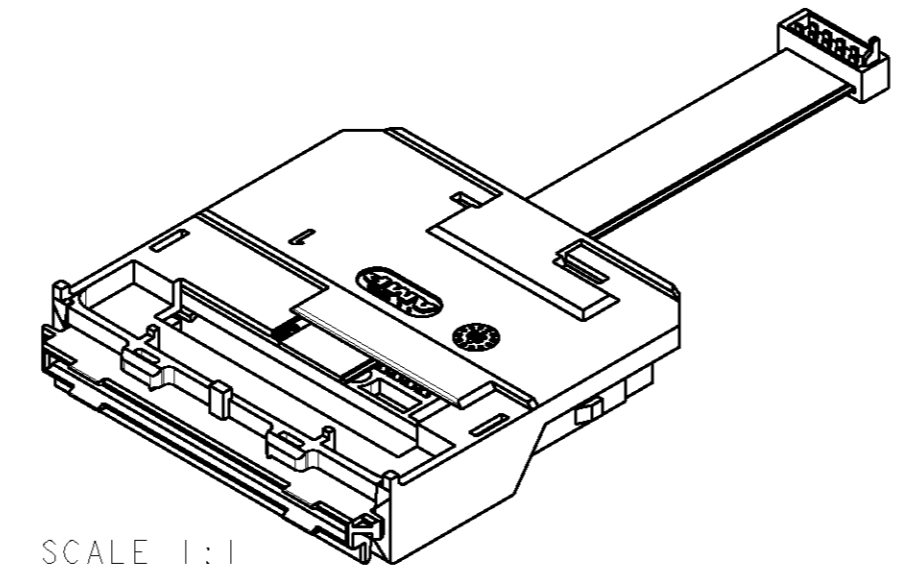
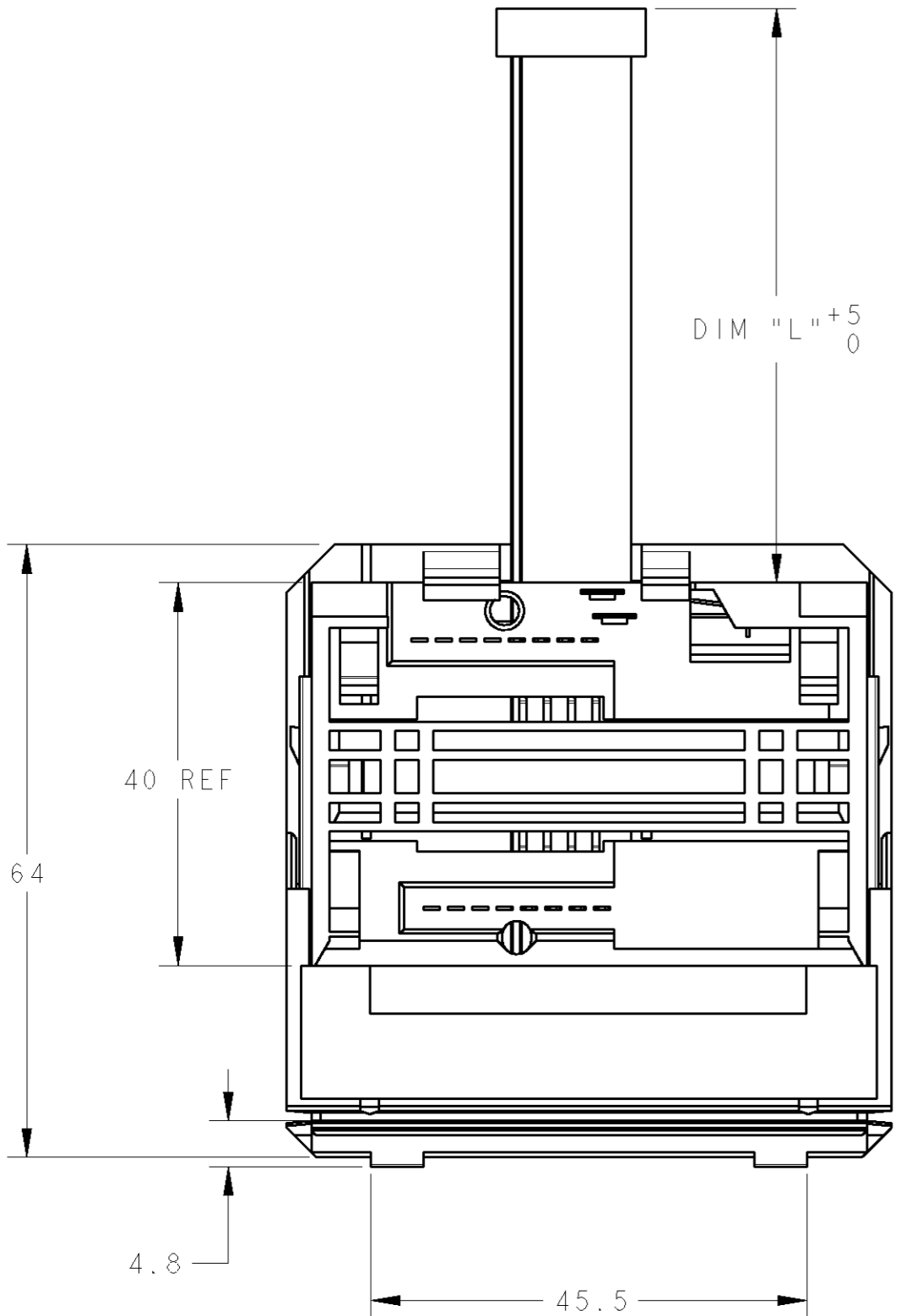
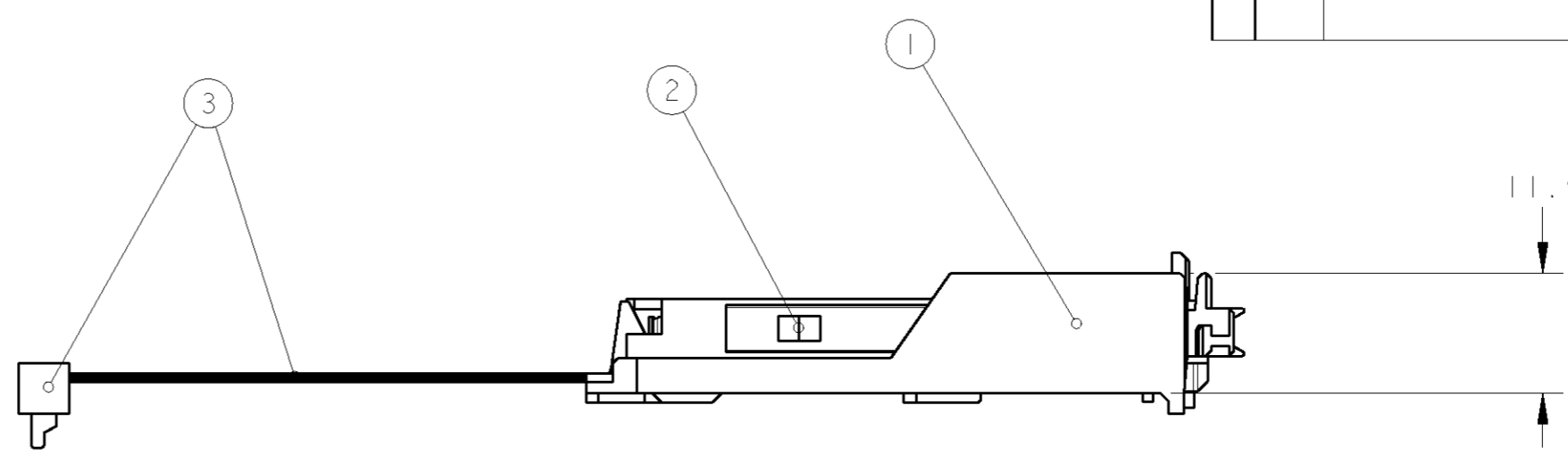
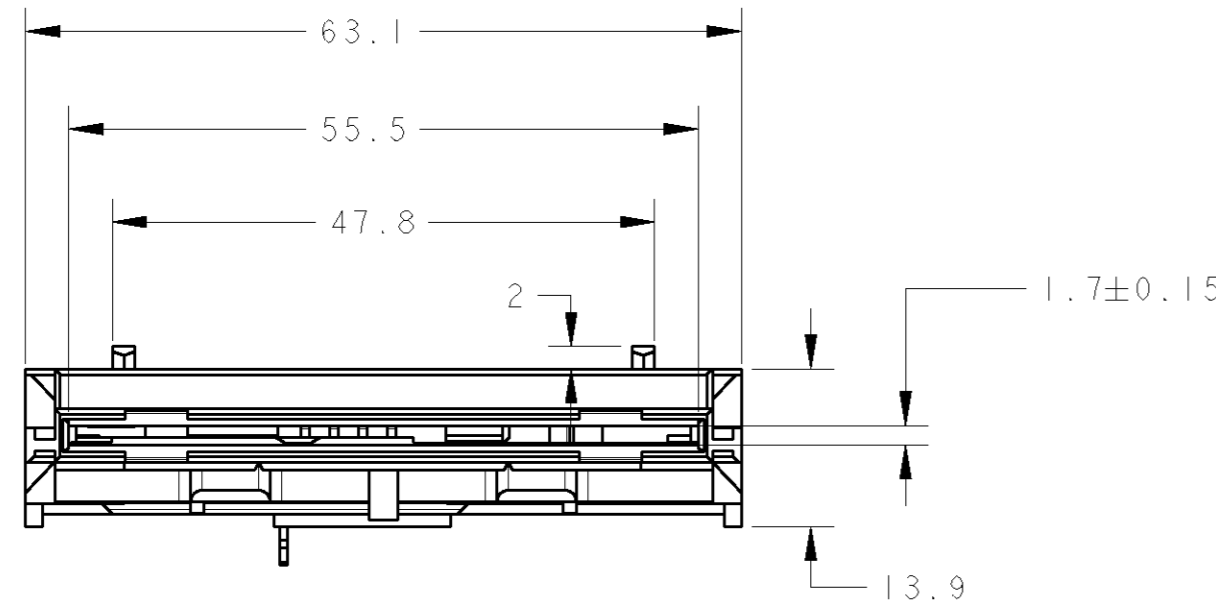


RELEASED FOR PUBLICATION  
 BY TYCO ELECTRONICS CORPORATION. ALL RIGHTS RESERVED.

LOC	DIST	REVISIONS					
H	-	P	LTR	DESCRIPTION	DATE	DWN	APVD
		A		EH10-0478-04	06DEC2004	RC	PJ
		AI		EH10-0156-05	02FEB2005	RC	PJ



- ① SMART CARD READER : PBT G-F, BLACK, UL 94V0  
 FIXING FRAME : ABS, BLACK, UL 94V0  
 SIGNAL AND SWITCH CONTACTS : PHOSPHOR BRONZE.
- ② ALL CONTACTS : 0.00076 GOLD ON MATING AREAS,  
 0.0025 TIN (LEADFREE/MATTE) ON SOLDER TAILS,  
 ALL OVER 0.001 NICKEL.
- ③ AMP P/N'S ASS'Y :  
 - 5953497-1/-3/-5/-6/-8/1--0 8 POSITIONS ISO 7816  
 - 5953497-2/-4/-7 16 POSITIONS ISO/CP8 AFNOR
- ④ UL STYLE 2651 RIBBON CABLE PVC AND,  
 10 POSITIONS MICRO-MATCH CONNECTOR;  
 TO BE MATED WITH  
 I-215079-0 THROUGH HOLE VERSION OR I-188275-0 SMT VERSION
- ⑤ AMP SMART CARD RECEPTACLE DESIGNED TO ACCEPT ISO 7810-7816 TYPE  
 INTEGRATED CIRCUIT SMART CARDS (0.76MM REF. THICKNESS)  
 SEE SHEET 2/2
- ⑥ CONNECTOR MEETS EMV REQUIREMENTS

	-	-			-	-	-	-	-	RIBBON CABLE ASS'Y, L = 70mm	3	
	-	-	-	-		-	-	-	-	RIBBON CABLE ASS'Y, L = 130mm	3	
	-	-	-	-	-		-	-	-	RIBBON CABLE ASS'Y, L = 140mm	3	
			-	-	-	-		-	-	RIBBON CABLE ASS'Y, L = 100mm	3	
	-	-	-	-	-	-	-			RIBBON CABLE ASS'Y, L = 60mm	3	
			-			-		-		SMART CARD READER ASS'Y : 8 POS.	2	
	-	-		-	-		-		-	SMART CARD READER ASS'Y : 16 POS.	2	
										FIXING FRAME -2	1	
ASS'Y P/N 5953497	③	1-0	-8	-7	-6	-5	-4	-3	-2	-1	DESCRIPTION	ITEM
	⑥											

THIS DRAWING IS A CONTROLLED DOCUMENT FOR TYCO ELECTRONICS CORPORATION  
 IT IS SUBJECT TO CHANGE AND THE CONTROLLING ENGINEERING ORGANIZATION  
 SHOULD BE CONTACTED FOR THE LATEST REVISION

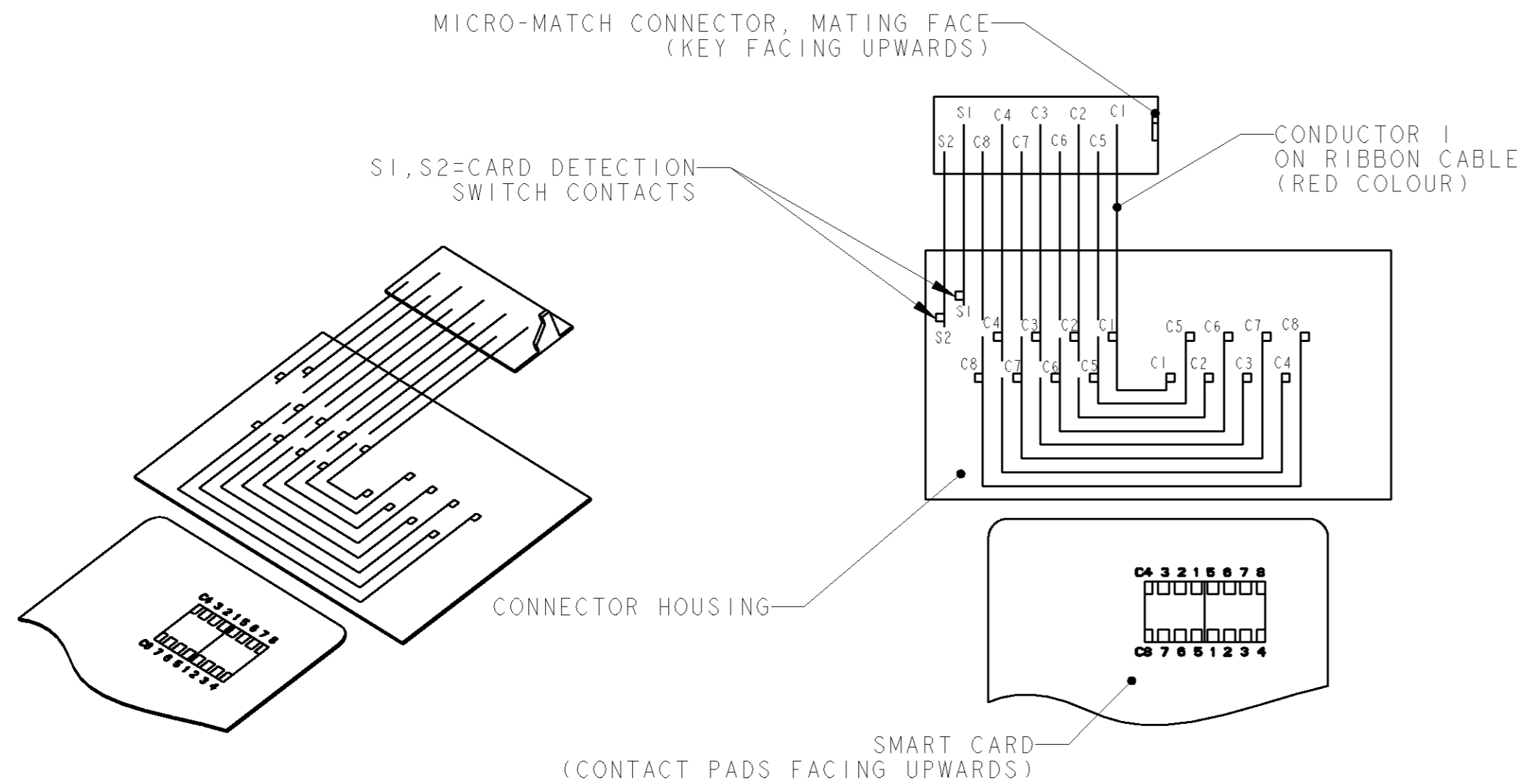
DWN: R. Coolen 06-Dec-04  
 CHK: P. Jaeger  
 APVD: P. Jaeger  
 PRODUCT SPEC: 108-15174  
 APPLICATION SPEC: -  
 WEIGHT: -

**tyco** Electronics  
 TYCO ELECTRONICS NEDERLAND B.V.  
 's-HERTOGENBOSCH, THE NETHERLANDS

NAME: SMART CARD READER 0.76 mm;  
 PANEL MOUNT WITH CABLE  
 BLADE SWITCH, NORMALLY CLOSED

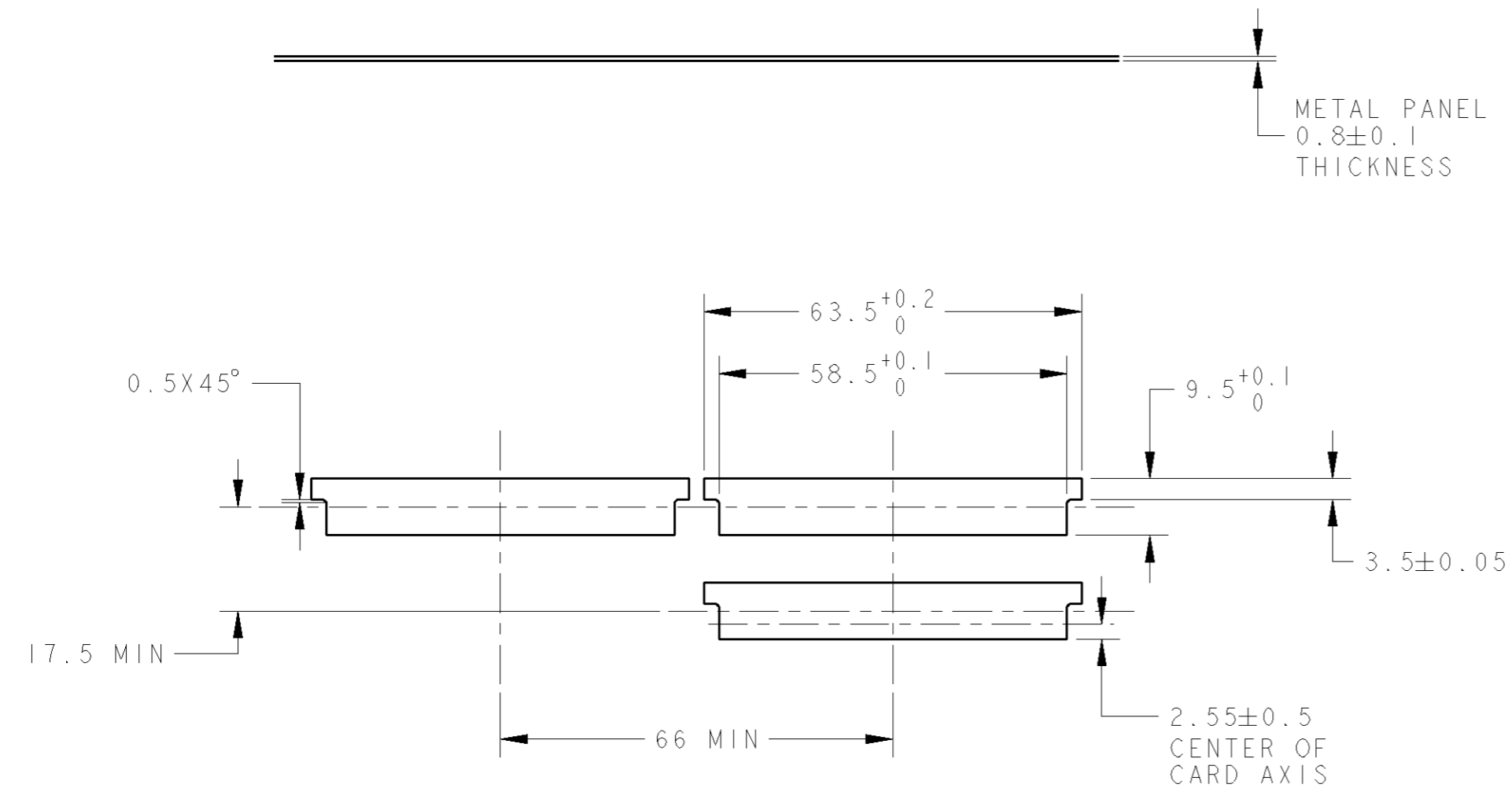
SIZE: A2 CAGE CODE: 00779 DRAWING NO: 5953497 RESTRICTED TO: -  
 CUSTOMER DRAWING SCALE: 3:2 SHEET 1 OF 2 REV: A1

THIS DRAWING IS UNPUBLISHED. RELEASED FOR PUBLICATION  
 © COPYRIGHT - BY TYCO ELECTRONICS CORPORATION. ALL RIGHTS RESERVED.



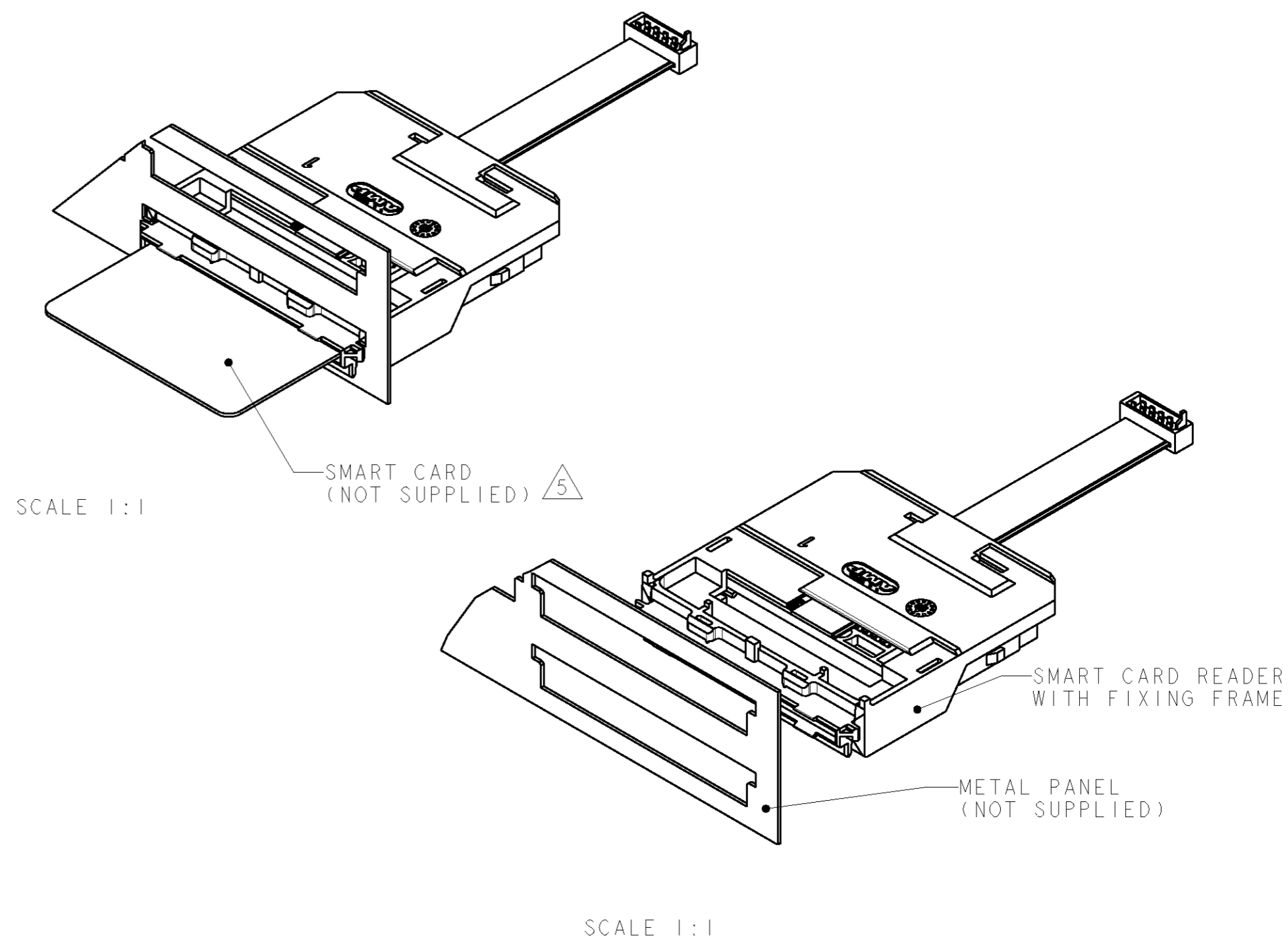
ELECTRICAL DIAGRAM

SMART CARD READER, MOUNTING DIRECTION AND RECOMMENDED PUNCHING DIRECTION



SCALE 1:1  
 RECOMMENDED METAL PANEL CUT-OUT

LOC	DIST	REVISIONS					
H	-	P	LTR	DESCRIPTION	DATE	DWN	APVD
		-		SEE SHEET 1			



PANEL MOUNTING CONFIGURATION

THIS DRAWING IS A CONTROLLED DOCUMENT FOR TYCO ELECTRONICS CORPORATION. IT IS SUBJECT TO CHANGE AND THE CONTROLLING ENGINEERING ORGANIZATION SHOULD BE CONTACTED FOR THE LATEST REVISION.		DWN R. Coolen 06-Dec-04	tyco Electronics TYCO ELECTRONICS NEDERLAND B.V. 's-HERTOGENBOSCH, THE NETHERLANDS	
DIMENSIONS: mm		CHK P. Jaeger	NAME SMART CARD READER 0,76 mm; PANEL MOUNT WITH CABLE BLADE SWITCH, NORMALLY CLOSED	
TOLERANCES UNLESS OTHERWISE SPECIFIED: 0 PLC ±0,5 1 PLC ±0,3 2 PLC ±0,13 3 PLC ±0,013 4 PLC ±0,0001 ANGLES ±		APVD P. Jaeger	PRODUCT SPEC -	
MATERIAL -		FINISH -	APPLICATION SPEC -	RESTRICTED TO -
		WEIGHT -	SIZE A2	CAGE CODE 00779
		CUSTOMER DRAWING	DRAWING NO G-5953497	SCALE 3:2
			SHEET 2 OF 2	REV A1

## X-ON Electronics

Largest Supplier of Electrical and Electronic Components

*Click to view similar products for [Memory Card Connectors](#) category:*

*Click to view products by [TE Connectivity](#) manufacturer:*

Other Similar products are found below :

[M10-597810-355](#) [M21-033321-005](#) [6426-201-21343](#) [69.920.0553.0](#) [MCR60A-98D-2.54DSA\(70\)](#) [FCN-568P068-G/07-4V](#) [809180410000000](#)  
[95622-003LF](#) [AD2-262F-38900-232](#) [DM3AT-SF-PEJM5\(41\)](#) [EN2997S72039F6](#) [N7E50-7516PG-20-WF](#) [IC11S-BUR-PNEJL\(71\)](#) [NX30TA-](#)  
[15PAA\(50\)](#) [21920-5](#) [2041353-2](#) [FUA006-3220-0](#) [33CFAE-DN](#) [MI21A-50PD-SF-EJR\(91\)](#) [502431-1011](#) [5175651-2](#) [10-247926-166](#)  
[EN2997S02039B8](#) [EN2997S61212BN](#) [EN2997S72039B6](#) [EN2997SE02039B8](#) [EN2997SE61212BN](#) [EN2997SE72039B6](#) [71-252718-32P](#)  
[NX1-32T-KT3K\(05\)](#) [95622-003LF](#) [91-570124-15P](#) [192900-0488](#) [DM1AA-SF-PEJ](#) [95079-00CALF](#) [84648-056HLF](#) [68-580163-21S](#)  
[33DVIR-29S12R](#) [SF58S006VBBR2000](#) [93-570123-08P](#) [GMC020080HR](#) [125A-78C00](#) [1010040575#](#) [MI20A-50PD-SF-EJL\(71\)](#) [KP10S-SF-](#)  
[PEJ\(812\)](#) [DM1AA-SF-PEJ\(31\)](#) [FO-10GGBLCX20-002](#) [504536-0691](#) [115S-ACA2](#) [115S-ACA3](#)