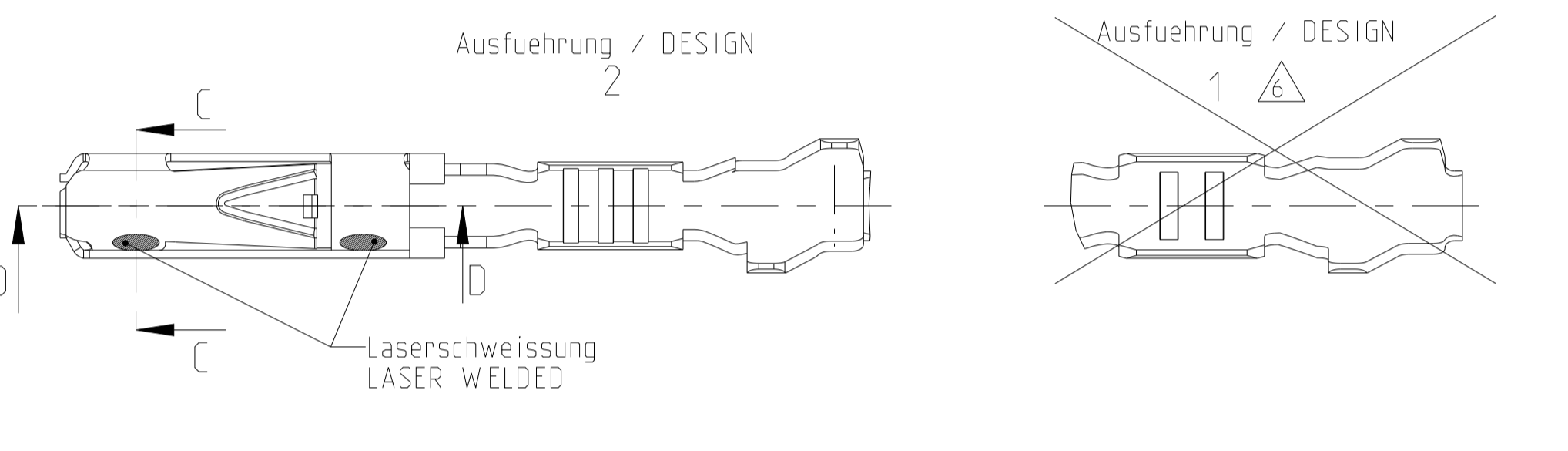
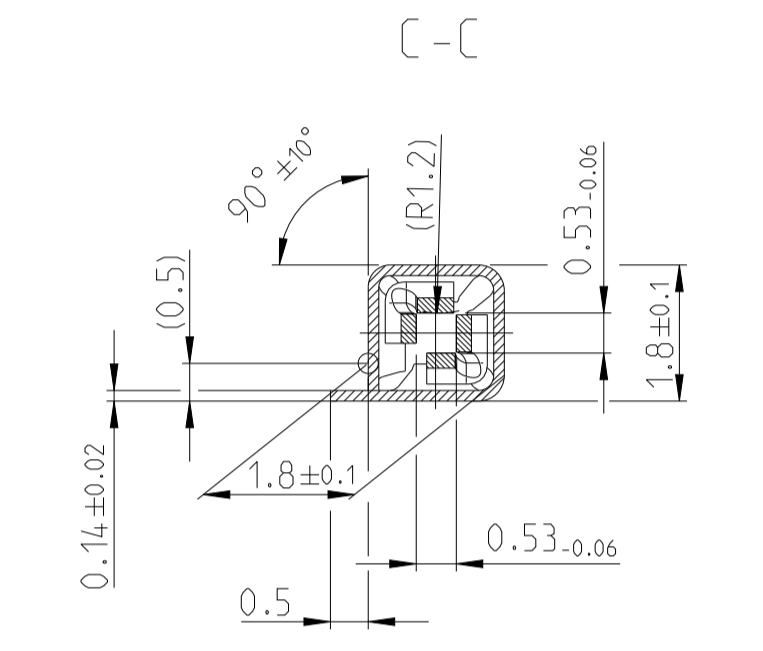
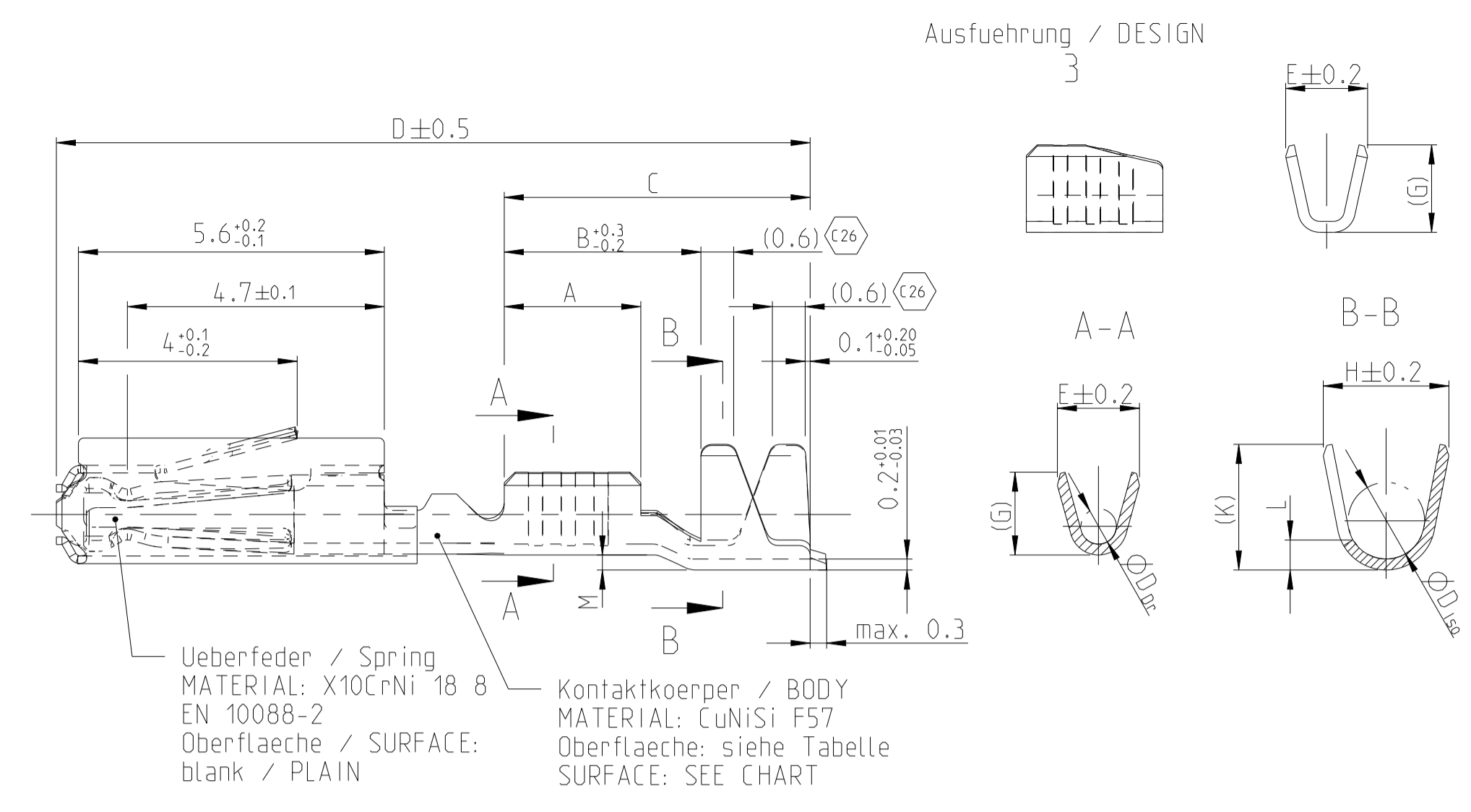
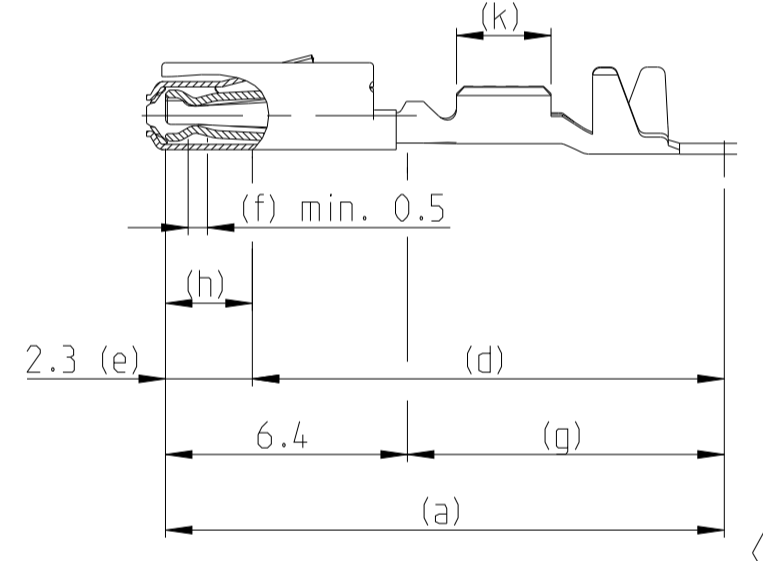


# Normale Anwendung USUAL APPLICATION

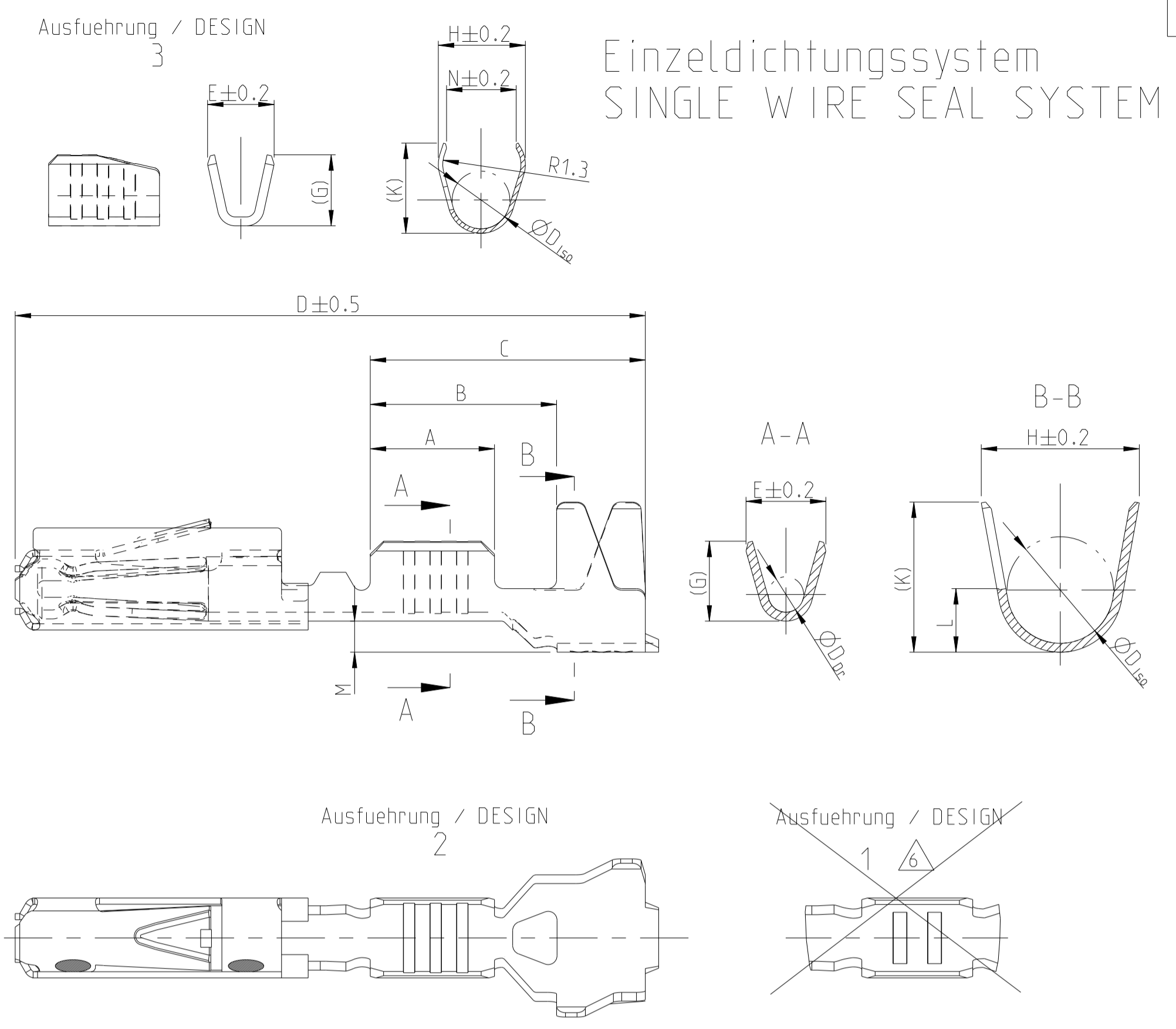


# Oberflaeche / FINISH

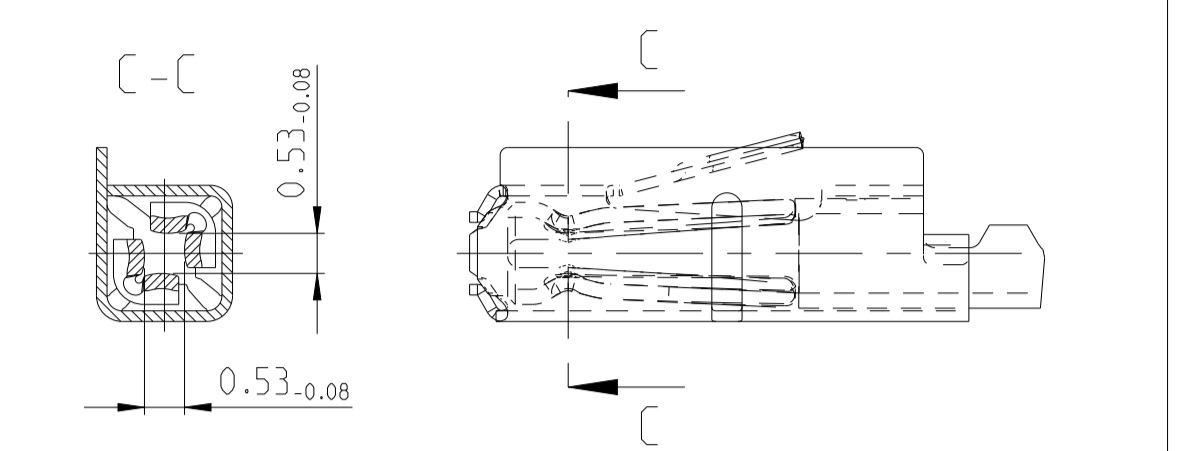


- Sn: verzinnete Ausfuehrung TINNED**  
 (a) Kontaktkoerper: 0.8 - 2 µm Sn  
 BODY: 0.8 - 2 µm Sn
- Ag: versilbert SILVER**  
 (e) min. 0.3 µm Ag  
 (f) min. 2.8 µm Ag INSIDE  
 min. 2.8 µm Ag innen  
 (g) min. 0.2 µm Sn  
 (k) min. 0.8 - 2 µm Sn
- Au (galvanisch): galvanisch vergoldet GOLD-ELECTROPLATED**  
 (d) 0.05-1 µm Ni, beidseitig  
 0.05-1 µm Ni, ON BOTH SIDES  
 (e) 1-3 µm Ni, beidseitig  
 1-3 µm Ni, ON BOTH SIDES  
 (f) min. 1.8 µm Au ueber (e), innen  
 MIN. 1.8 µm Au OVER (e), INSIDE  
 (g) min. 0.2 µm Sn ueber (d), beidseitig  
 MIN. 0.2 µm Sn OVER (d), ON BOTH SIDES  
 (h) Au galvanisch auflaufend  
 Au OVERPLATING  
 (k) min. 0.8 - 2.0 µm Sn

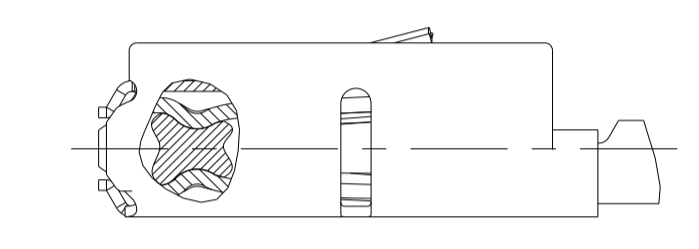
# Ausfuehrung / DESIGN 3 Einzeldichtungssystem SINGLE WIRE SEAL SYSTEM



# versilberte/vergoldete Ausfuehrung SILVER/GOLD VERSION

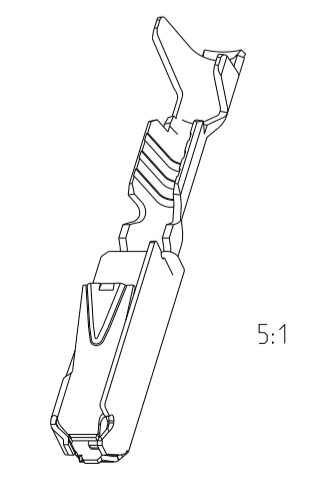
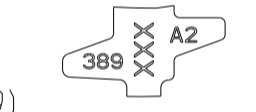


# GEL VERSION



Part No.	Rev.	Material	Finish	Wire Size	Length	Weight	Notes	
6-965906-5	E	Au-Gel	A = 2.8, B = 4.2, C = 6.2, D = 14.3, M = 0.7	0.50-0.75	2.8	0.13	114-18025	
5-965906-6	D	Ag	A = 2.5, B = 3.9, C = 5.9, D = 14, M = 0.7	0.25-0.35	2.5	0.13		
5-965906-5	E	Au	A = 2.5, B = 4.3, C = 6.2, D = 14.2, M = 0.6 (C26)	0.13 / 0.17	2.5	0.1		
5-965906-1	D	Sn	A = 2.5, B = 4.3, C = 6.2, D = 14.2, M = 0.6 (C26)	0.13 / 0.17	2.5	0.1		
5-962885-6	J	Ag	A = 2.5, B = 3.6, C = 5.6, D = 13.7, M = 0.2	0.50-0.75	2.5	0.11		
5-962885-5	K	Au	A = 2.5, B = 3.6, C = 5.6, D = 13.7, M = 0.2	0.25-0.35	2.5	0.11		
5-962885-1	J	Sn	A = 2.5, B = 3.6, C = 5.6, D = 13.7, M = 0.2	0.25-0.35	2.5	0.11		
2141826-6	A	Ag	A = 2.5, B = 3.7, C = 5.4, D = 13.7, M = 0	0.13 / 0.17	2.5	0.1		
2141826-5	A	Au	A = 2.5, B = 3.7, C = 5.4, D = 13.7, M = 0	0.13 / 0.17	2.5	0.1		
2141826-1	A	Sn	A = 2.5, B = 3.7, C = 5.4, D = 13.7, M = 0	0.13 / 0.17	2.5	0.1		
6-963715-5	K	Au-Gel	A = 2.8, B = 4.2, C = 6.2, D = 14.3, M = 0.7	0.50-0.75	2.8	0.11		114-18021
5-963715-6	J	Ag	A = 2.5, B = 3.6, C = 5.6, D = 13.7, M = 0.2	0.25-0.35	2.5	0.11		
5-963715-5	K	Au	A = 2.5, B = 3.6, C = 5.6, D = 13.7, M = 0.2	0.25-0.35	2.5	0.11		
5-963715-1	J	Sn	A = 2.5, B = 3.6, C = 5.6, D = 13.7, M = 0.2	0.25-0.35	2.5	0.11		
6-928999-5	T	Au-Gel	A = 2.8, B = 4.2, C = 6.2, D = 14.3, M = 0.7	0.50-0.75	2.8	0.11		
5-928999-6	S	Ag	A = 2.5, B = 3.6, C = 5.6, D = 13.7, M = 0.2	0.25-0.35	2.5	0.11		
5-928999-5	T	Au	A = 2.5, B = 3.6, C = 5.6, D = 13.7, M = 0.2	0.25-0.35	2.5	0.11		
5-928999-1	S	Sn	A = 2.5, B = 3.6, C = 5.6, D = 13.7, M = 0.2	0.25-0.35	2.5	0.11		
2141824-6	A	Ag	A = 2.5, B = 3.7, C = 5.4, D = 13.7, M = 0	0.13 / 0.17	2.5	0.1		
2141824-5	A	Au	A = 2.5, B = 3.7, C = 5.4, D = 13.7, M = 0	0.13 / 0.17	2.5	0.1		
2141824-1	A	Sn	A = 2.5, B = 3.7, C = 5.4, D = 13.7, M = 0	0.13 / 0.17	2.5	0.1		
1355717-6	A	Ag	A = 2.5, B = 3.7, C = 5.4, D = 13.7, M = 0	0.08-0.22	2.5	0.1		
1355717-5	C	Au	A = 2.5, B = 3.7, C = 5.4, D = 13.7, M = 0	0.08-0.22	2.5	0.1		
1355717-1	C	Sn	A = 2.5, B = 3.7, C = 5.4, D = 13.7, M = 0	0.08-0.22	2.5	0.1		

- Bemerkungen**
- Datumscode (Woche/Jahr z.B. KW 38/Jahr2009) und TE-Revision (z.B. Rev.A) DATE CODE (WEEK/YEAR E.G. WEEK NUMBER 38/YEAR2009) AND TE REVISION (E.G. REV. A)
  - Passend zu Stiftkontakt siehe Zeichnung 929453 SUITABLE FOR PIN CONTACT SEE DRAWING 929453
  - Einzelheiten der Ausfuehrung bleiben dem Hersteller ueberlassen DETAILS OF DESIGN ARE LEFT TO MANUFACTURER
  - Nur fuer FLR-Leitung nach DIN 72551 Teil 6 FOR FLR-CONDUCTOR ACCORDING TO DIN 72551-6 ONLY
  - 
  - nicht fuer Neuanwendung NOT FOR NEW APPLICATION
  - zugverstaerkte Leitung nach LV 112-4 REINFORCED WIRE ACCORDING LV 112-4
  - Bei doppelt fallenden Werkzeugen wird die erste Ueberfeder mit einer Kennzeichnung "-" versehen WITH DOUBLE OUT DIES THE FIRST SPRING WILL BE PROVIDED WITH AN INDICATION "-"
  - Varianten von Design1 werden durch die entsprechenden Versionen von Design2 ersetzt VARIANTS OF DESIGN1 ARE SUPERSEDED BY CORRESPONDING VERSIONS OF DESIGN2



Bestell-Nr. Ausfuehrung ORDER NO. DESIGN 2	Bestell-Nr. Ausfuehrung ORDER NO. DESIGN 3	Rev.	Bestell-Nr. Ausfuehrung ORDER NO. DESIGN 1	Rev.	VERSION	DGB Wire Size Range mm <sup>2</sup>	Oberflaeche SURFACE	Laenge LENGTH mm	Drahtcrimp WIRE CRIMP mm	Iso-crimp INSU-CRIMP mm	Gewicht WEIGHT g	Vergaehrung Spez. APPLICATION SPEC.	DGB Wire Size Range mm <sup>2</sup>	Isolations Ø INSULATING DIA. mm	fuer Kammer Ø3.45 FOR CAVITY DIA. 3.45 mm	Blindstopfen RUBBER PLUG	fuer Kammer Ø4 FOR CAVITY DIA. 4 mm	Blindstopfen RUBBER PLUG	zugehoerige Einzeldichtung / SUITABLE SINGLE WIRE SEAL

THIS DRAWING IS A CONTROLLED DOCUMENT. **TE** TE Connectivity

OWNER: S. Garcia 05JAN1999  
 CHK: M. Bleicher 05JAN1999  
 PRODUCED BY: R. Jetter 13AUG2003  
 PRODUCT SPEC: 108-18030  
 APPLICATION SPEC: 114-18021 / 114-18025  
 WEIGHT: -  
 CUSTOMER DRAWING

DIMENSIONS: mm  
 TOLERANCES UNLESS OTHERWISE SPECIFIED:  
 ±0.2  
 MATERIAL: -  
 FINISH: -

NAME: MQS  
 Tabellenzeichnung Buchsenkontakt  
 TABLE SOCKET CONTACT

SIZE: A1  
 CAGE CODE: 00779  
 DRAWING NO: 929454  
 SCALE: 10:1  
 SHEET: 1 of 1  
 REV: C26

## X-ON Electronics

Largest Supplier of Electrical and Electronic Components

*Click to view similar products for [Automotive Connectors](#) category:*

*Click to view products by [TE Connectivity](#) manufacturer:*

Other Similar products are found below :

[003-018-000](#) [60403001](#) [60993906-B](#) [M902-2131](#) [M902-2161](#) [M902-2344](#) [72.330.1035.1](#) [73.353.4028.0](#) [F119300-B](#) [F166900](#) [F258300-B](#)  
[F358300-B](#) [F407400](#) [F444110](#) [F487000](#) [F509500B-B](#) [827153-1](#) [8N1515-32-24P](#) [9-1326729-8](#) [925474-1](#) [928905-1](#) [964562-4](#) [968782-1](#)  
[GT17SA-8DS-HU](#) [98891-1012](#) [98947-1016](#) [12004147](#) [12004475-L](#) [12010290](#) [12010309-B](#) [12015454](#) [12020219-B](#) [12041318-B](#) [12052225-](#)  
[L](#) [12052466](#) [12064869](#) [12004327-B](#) [12015308](#) [12015384](#) [12015909](#) [1-21030-1](#) [12041254](#) [12041318](#) [12047946-B](#) [12047957](#) [12047957-L](#)  
[12059473](#) [12066261](#) [12110546](#) [12110546-B](#)