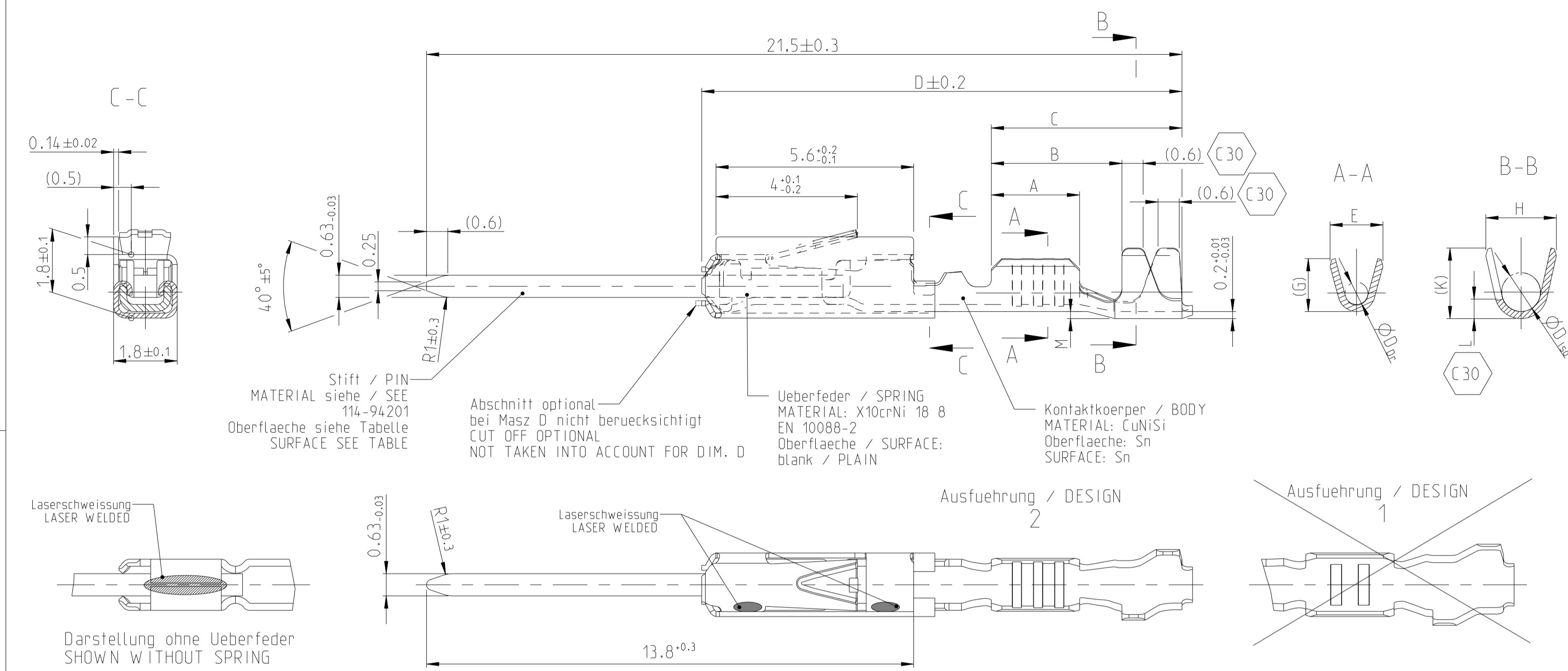
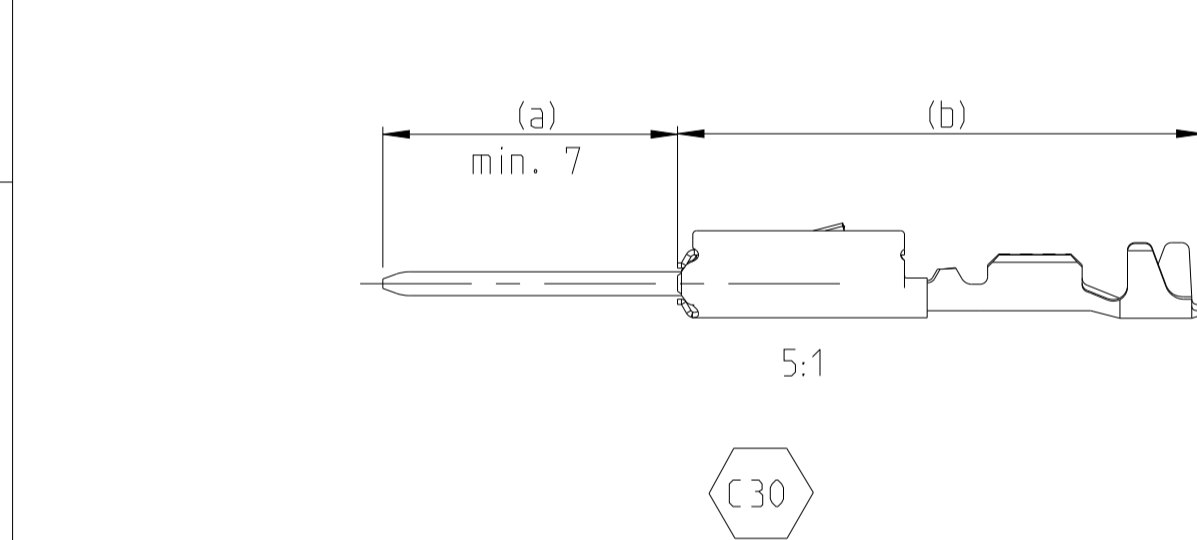


Normale Anwendung  
 USUAL APPLICATION



Oberflaeche / FINISH

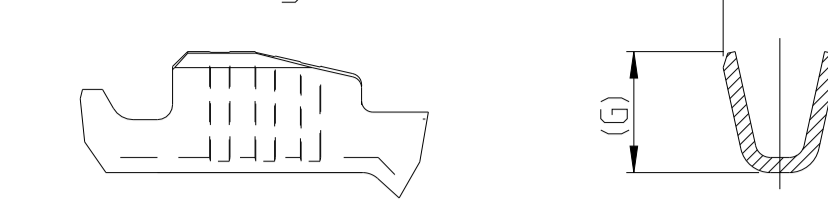


Sn: verzinnert  
 TINNED  
 (a) PIN: 0.8µm - 3.0µm Sn ueber/OVER 1.27µm - 3.0µm Ni  
 (b) Kontaktkoerper/BODY: 0.8µm - 2.0µm Sn

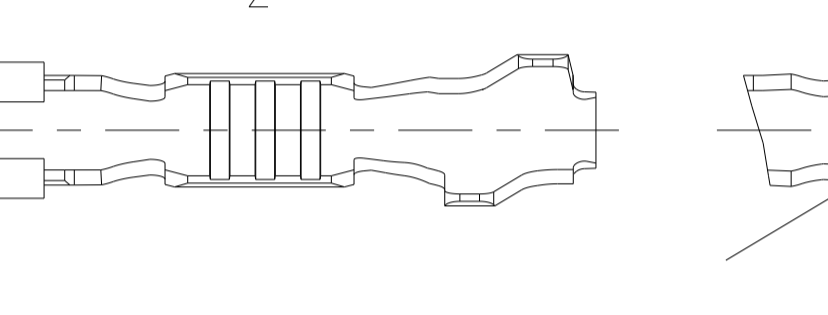
Ag: versilbert  
 SILVER  
 (a) PIN: 2.0µm - 6.0µm Ag  
 (b) Kontaktkoerper/BODY: 0.8µm - 2.0µm Sn

Au: vergoldet  
 GOLD  
 (a) PIN: min. 0.8µm Au ueber/OVER 1.0µm - 2.2µm Ni  
 (b) Kontaktkoerper/BODY: 0.8µm - 2.0µm Sn

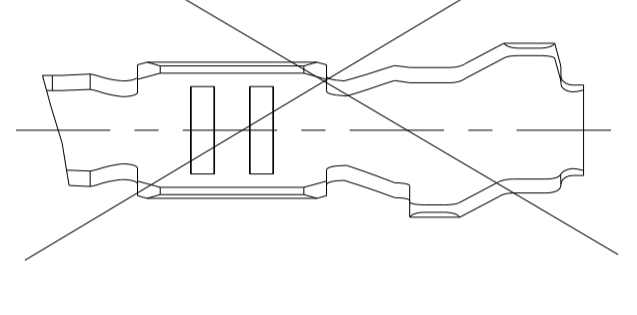
Ausfuehrung / DESIGN 3



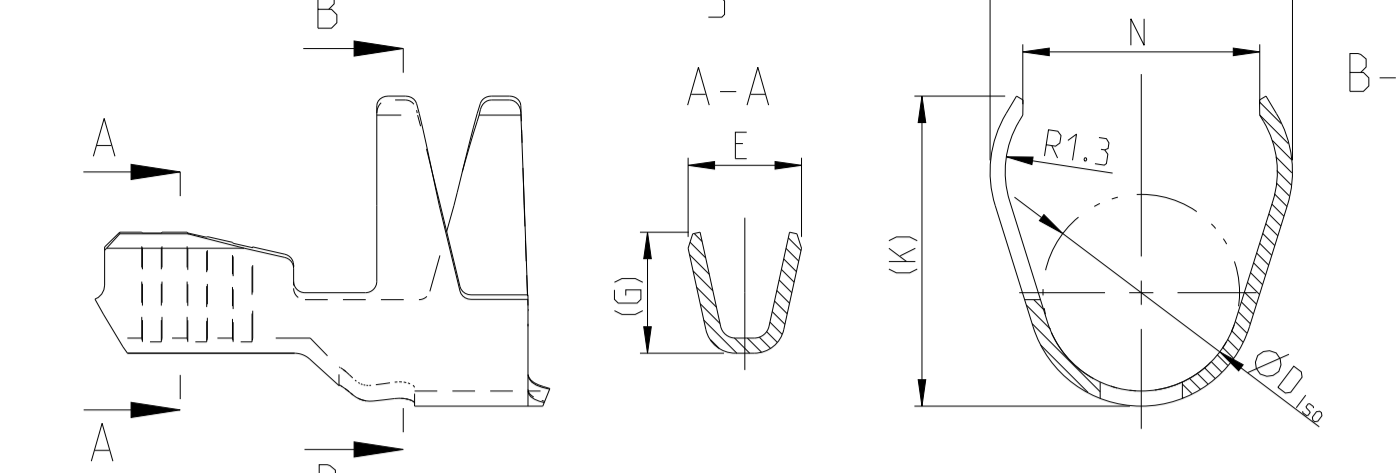
Ausfuehrung / DESIGN 2



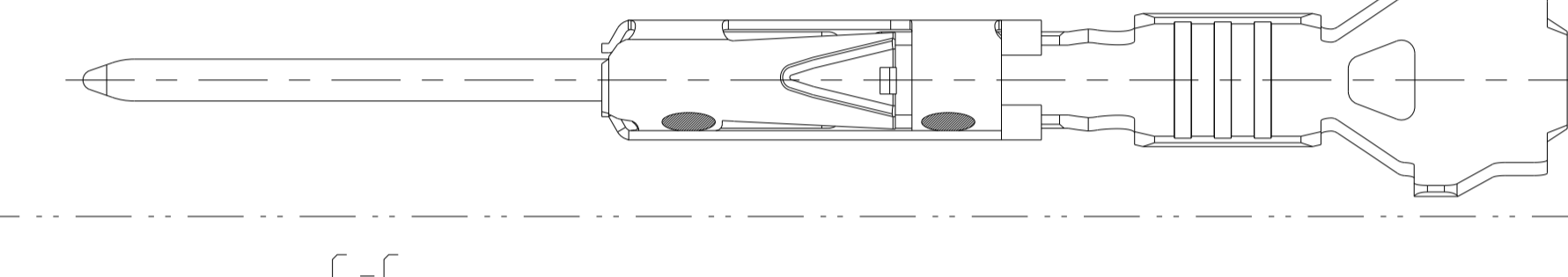
Ausfuehrung / DESIGN 1



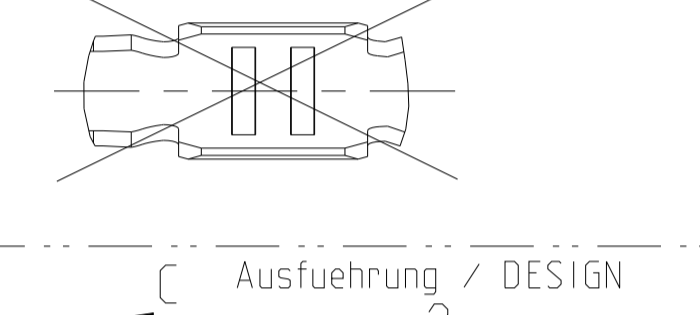
Ausfuehrung / DESIGN 3



Ausfuehrung / DESIGN 2



Ausfuehrung / DESIGN 1



Ausfuehrung ohne Ueberfeder  
 nur fuer umspritzte Anwendungen  
 WITHOUT SPRING  
 ONLY FOR OVERMOLDING

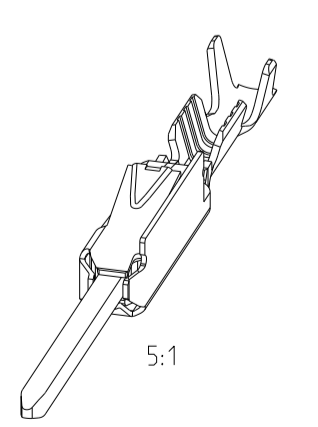
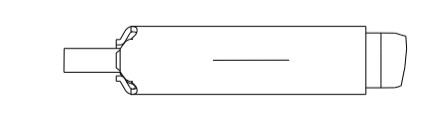
Einzelichtungssystem  
 SINGLE WIRE SEAL SYSTEM

LOC	DIST	REVISIONS			
P	LTA	DESCRIPTION	DATE	OWN	APVD
C27		Definition of a measurement point for contact height.	03MAY2019	FRAN	BERG
C28		See PCN E-19-011079	09DEC2019	MAH.	BERG
C29		See PCN E-20-001102	23JAN2020	MAH.	BERG
C30		See PCN E-20-016678 and PCN-21-110970	20AUG2021	FRAN	BERG

Bestell-Nr. Ausfuehrung ORDER NO. DESIGN 2	Bestell-Nr. Ausfuehrung ORDER NO. DESIGN 3	Rev.	Bestell-Nr. Ausfuehrung ORDER NO. DESIGN 1	Rev.	Ueberfeder vorhanden SPRING AVAILABLE	VERSION	DGB Wire Size Range mm <sup>2</sup>	Oberflaeche SURFACE	Laenge LENGTH mm	Drahtcrimp WIRE CRIMP mm	Iso-crimp INSU-CRIMP mm	Gewicht WEIGHT g	Verarbeitung Spez. APPLICATION SPEC.	DGB Wire Size Range mm <sup>2</sup>	Isolations Ø INSULATION DIA. mm	fuer Kammer Ø3.45 FOR CAVITY DIA. 3.45 mm	Blindstopfen RUBBER PLUG	fuer Kammer Ø4 FOR CAVITY DIA. 4 mm	Blindstopfen RUBBER PLUG
5-965908-3		A			ja / YES	Einzelichtungssystem SINGLE WIRE SEAL SYSTEM	0.50-0.75	Ag	A = 2.8 B = 4.2 C = 6.2 D = 14.3 M = 0.7	E = 2 G = 2.1 Dr = 1	H = 3.5 K = 3.4 L = 1.5 D <sub>ISO</sub> = 2.4	0.18	0.75	1.4-1.9	967067-1 gruen GREEN	967056-1 blau / BLUE	963142-1 schwarz BLACK	963143-1 weiss / WHITE	
5-965908-2		F		ja / YES															
5-965908-1		D		ja / YES															
					nein / NO	normale Anwendung USUAL APPLICATION	0.25-0.35	Sn	A = 2.5 B = 3.0 C = 5.9 D = 14 M = 0.7	E = 1.8 G = 1.8 Dr = 0.8	H = 3.5 K = 3.4 L = 1.5 D <sub>ISO</sub> = 2.4	0.12	0.35	0.9-1.4	967067-2 gelb YELLOW	967056-1 blau / BLUE	963142-2 grau GREY	963143-1 weiss / WHITE	
5-962886-3		A		ja / YES															
5-962886-2		R		ja / YES															
5-962886-1		N		ja / YES															
	2141830-3	A		ja / YES	ja / YES	0.13/0.17	Ag	A = 2.5 B = 4 C = 5.9 D = 13.9 M = 0.6	E = 1.5 G = 1.4	H = 4 K = 3.9 N = 3.1 D <sub>ISO</sub> = 2.6	0.15	0.13	0.85-1.25	967067-2 gelb YELLOW	967056-1 blau / BLUE	963142-2 grau GREY	963143-1 weiss / WHITE		
	2141830-2	A		ja / YES															
	2141830-1	A		ja / YES															
					nein / NO	0.50-0.75	Au	A = 2.8 B = 3.8 C = 5.6 D = 13.65 M = 0.2	E = 2 G = 2.1 Dr = 1	H = 2.7 K = 2.9 L = 0.7 D <sub>ISO</sub> = 1.6	0.12	0.50	1.4-1.9	967067-1 gruen GREEN	967056-1 blau / BLUE	963142-1 schwarz BLACK	963143-1 weiss / WHITE		
6-963716-1		A		nein / NO															
6-963716-2		A		nein / NO															
5-963716-3		A		ja / YES	ja / YES	0.25-0.35	Ag	A = 2.5 B = 3.6 C = 5.6 D = 13.65 M = 0.2	E = 1.8 G = 1.8 Dr = 0.8	H = 2.3 K = 2.3 L = 0.6 D <sub>ISO</sub> = 1.4	0.16	0.2	0.9-1.4	967067-2 gelb YELLOW	967056-1 blau / BLUE	963142-2 grau GREY	963143-1 weiss / WHITE		
5-963716-2		Z		ja / YES															
5-963716-1		W		ja / YES															
6-928918-3		A		ja / YES	ja / YES	0.13/0.17	Au	A = 2.5 B = 3.7 C = 5.4 D = 13.65 M = 0	E = 1.5 G = 1.5 Dr = 0.65	H = 2 K = 1.9 D <sub>ISO</sub> = 1.1	0.15	0.13	0.85-1.25	967067-2 gelb YELLOW	967056-1 blau / BLUE	963142-2 grau GREY	963143-1 weiss / WHITE		
6-928918-2		Z		ja / YES															
6-928918-1		W		ja / YES															
5-928918-2		A		nein / NO	nein / NO	0.08-0.22	Au	A = 2.5 B = 3.7 C = 5.4 D = 13.65 M = 0	E = 1.5 G = 1.5 Dr = 0.65	H = 2 K = 2 D <sub>ISO</sub> = 1.1	0.15	0.08-0.22	0.85-1.25	967067-2 gelb YELLOW	967056-1 blau / BLUE	963142-2 grau GREY	963143-1 weiss / WHITE		
5-928918-1		W		nein / NO															
	2141828-3	A		ja / YES															
	2141828-2	A		ja / YES	ja / YES	0.08-0.22	Au	A = 2.5 B = 3.7 C = 5.4 D = 13.65 M = 0	E = 1.5 G = 1.5 Dr = 0.65	H = 2 K = 2 D <sub>ISO</sub> = 1.1	0.15	0.08-0.22	0.85-1.25	967067-2 gelb YELLOW	967056-1 blau / BLUE	963142-2 grau GREY	963143-1 weiss / WHITE		
	2141828-1	A		ja / YES															
1355719-3		A		ja / YES															
1355719-2		C		ja / YES	ja / YES	0.08-0.22	Au	A = 2.5 B = 3.7 C = 5.4 D = 13.65 M = 0	E = 1.5 G = 1.5 Dr = 0.65	H = 2 K = 2 D <sub>ISO</sub> = 1.1	0.15	0.08-0.22	0.85-1.25	967067-2 gelb YELLOW	967056-1 blau / BLUE	963142-2 grau GREY	963143-1 weiss / WHITE		
1355719-1		C		ja / YES															

NOTES  
 Bemerkungen

- Datumcode (Woche/Jahr z.B. KW 38/Jahr2009) und TE-Revision (z.B. Rev. A) DATE CODE (WEEK/YEAR E.G. WEEK NUMBER 38/YEAR2009) AND TE REVISION (E.G. REV. A)
- Passend zu Buchsenkontakt siehe Zeichnung 929454 SUITABLE FOR SOCKET CONTACT SEE DRAWING 929454
- Einzelheiten der Ausfuehrung bleiben dem Hersteller ueberlassen DETAILS OF DESIGN ARE LEFT TO MANUFACTURER
- Nur fuer FLR-Leitung nach DIN 72551 Teil 6 FOR FLR-CONDUCTOR ACCORDING TO DIN 72551-6 ONLY
- nicht fuer Neuanwendung NOT FOR NEW APPLICATION
- zugverstaerkte Leitung nach LV 112-4 REINFORCED WIRE ACCORDING LV 112-4
- Bei doppelt fallenden Werkzeugen wird die erste Ueberfeder mit einer Kennzeichnung "-" versehen WITH DOUBLE OUT DIES THE FIRST SPRING WILL BE PROVIDED WITH AN INDICATION "-"
- Varianten von Design1 werden durch die entsprechenden Versionen von Design2 ersetzt VARIANTS OF DESIGN1 ARE SUPERSEDED BY CORRESPONDING VERSIONS OF DESIGN2



THIS DRAWING IS A CONTROLLED DOCUMENT.		OWN S.Garcia 06JAN1999	TE Connectivity	
DIMENSIONS: mm		CHK R.Jetter 06JAN1999	NAME	
TOLERANCES UNLESS OTHERWISE SPECIFIED:		APVD M.Bleicher 13AUG2003	MOS	
MATERIAL: -		PRODUCT SPEC 108-18030	Tabellenzeichnung Stiftkontakt TABLE PIN CONTACT	
FINISH: -		APPLICATION SPEC 114-18021 / -18025	RESTRICTED TO	
WEIGHT: -		SIZE A1	CAGE CODE 00779	
CUSTOMER DRAWING		SCALE 10:1	SHEET 1 OF 1	
		REV. C		30

## X-ON Electronics

Largest Supplier of Electrical and Electronic Components

*Click to view similar products for [Automotive Connectors](#) category:*

*Click to view products by [TE Connectivity](#) manufacturer:*

Other Similar products are found below :

[003-018-000](#) [60403001](#) [60993906-B](#) [M902-2131](#) [M902-2161](#) [M902-2344](#) [72.330.1035.1](#) [73.353.4028.0](#) [F119300-B](#) [F166900](#) [F258300-B](#)  
[F358300-B](#) [F407400](#) [F444110](#) [F487000](#) [F509500B-B](#) [827153-1](#) [8N1515-32-24P](#) [9-1326729-8](#) [925474-1](#) [928905-1](#) [964562-4](#) [968782-1](#)  
[GT17SA-8DS-HU](#) [98891-1012](#) [98947-1016](#) [12004147](#) [12004475-L](#) [12010290](#) [12010309-B](#) [12015454](#) [12020219-B](#) [12041318-B](#) [12052225-](#)  
[L](#) [12052466](#) [12064869](#) [12004327-B](#) [12015308](#) [12015384](#) [12015909](#) [1-21030-1](#) [12041254](#) [12041318](#) [12047946-B](#) [12047957](#) [12047957-L](#)  
[12059473](#) [12066261](#) [12110546](#) [12110546-B](#)