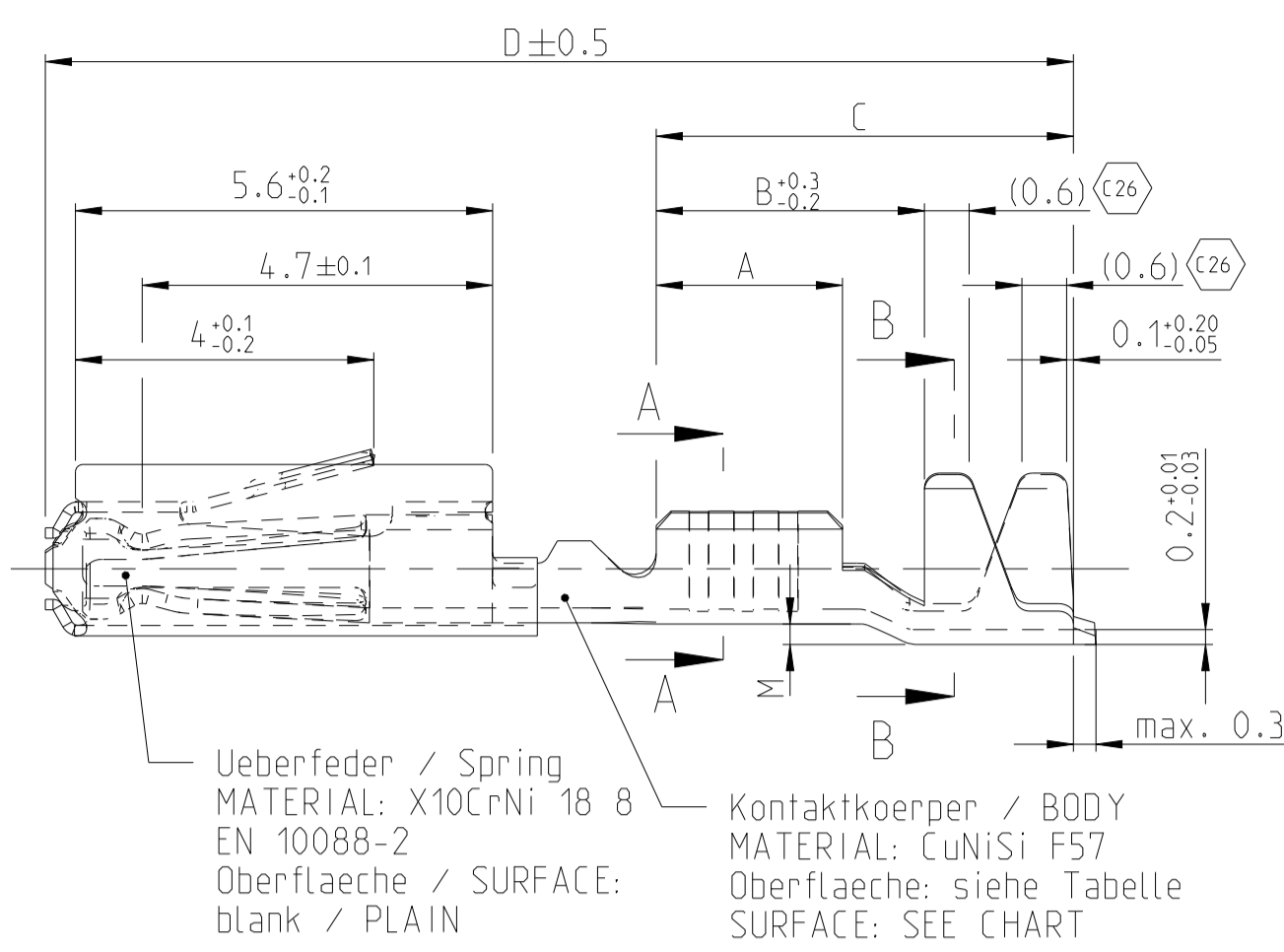
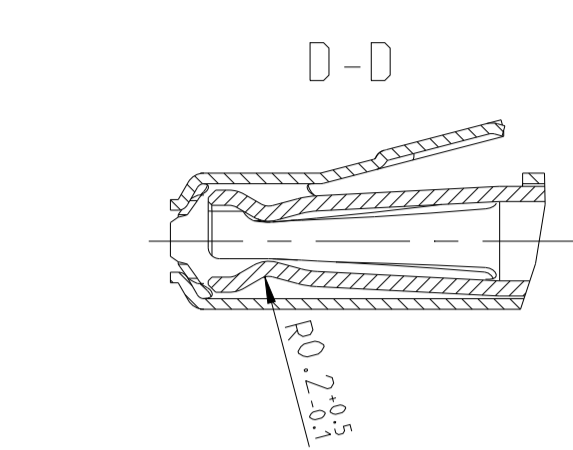
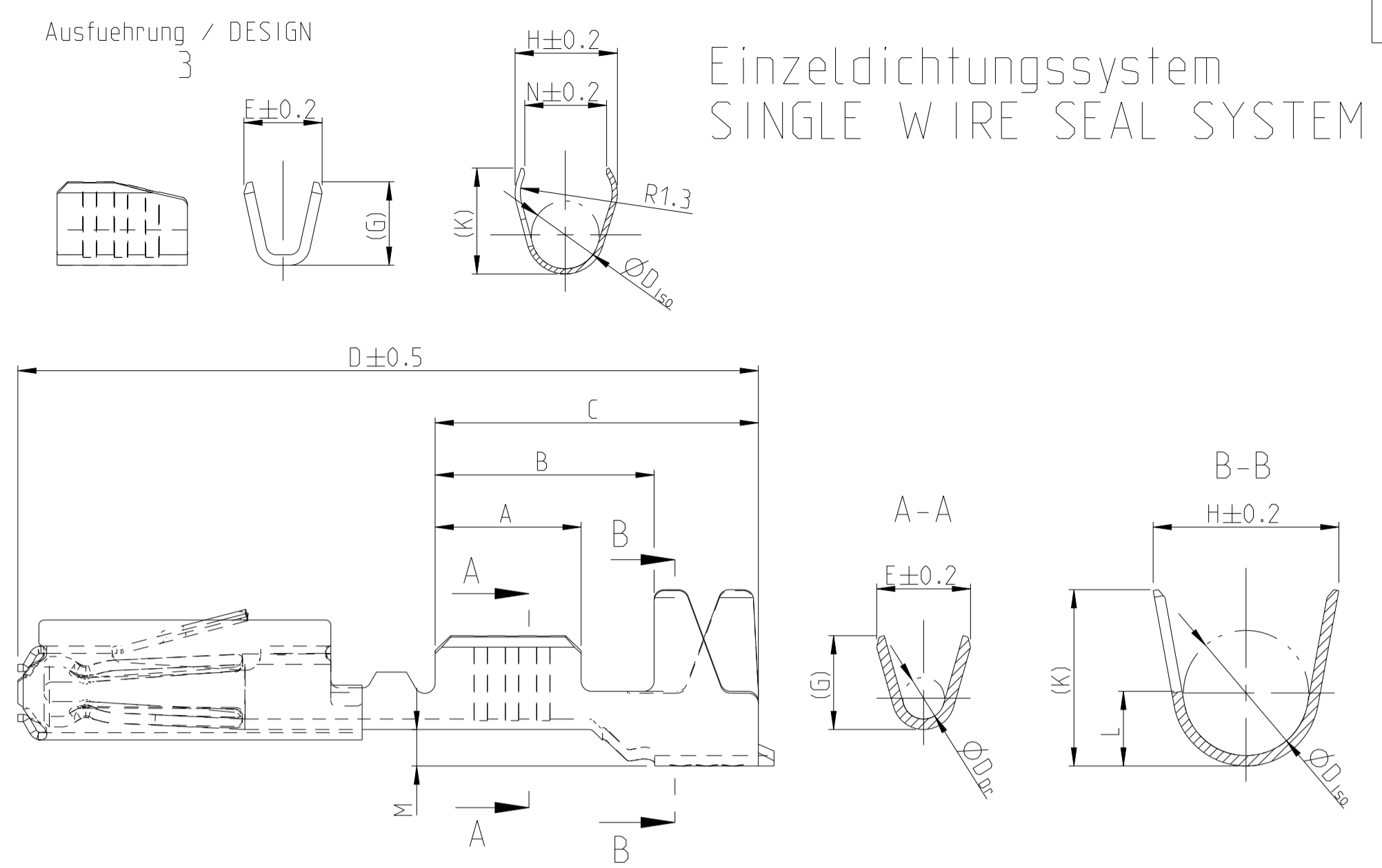
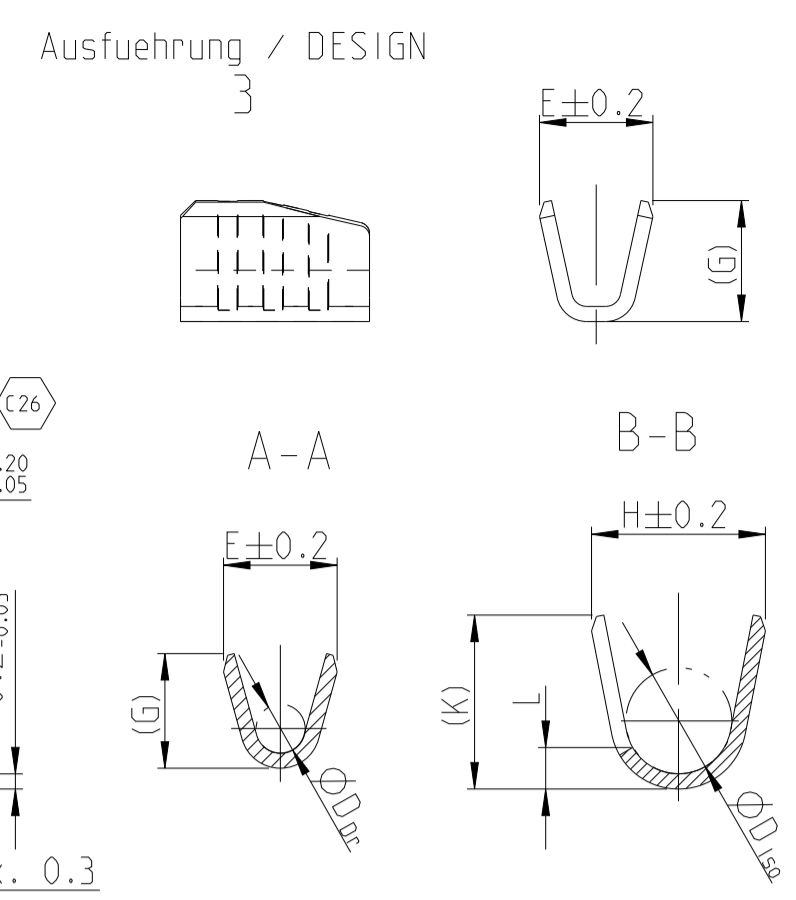


Normale Anwendung
 USUAL APPLICATION



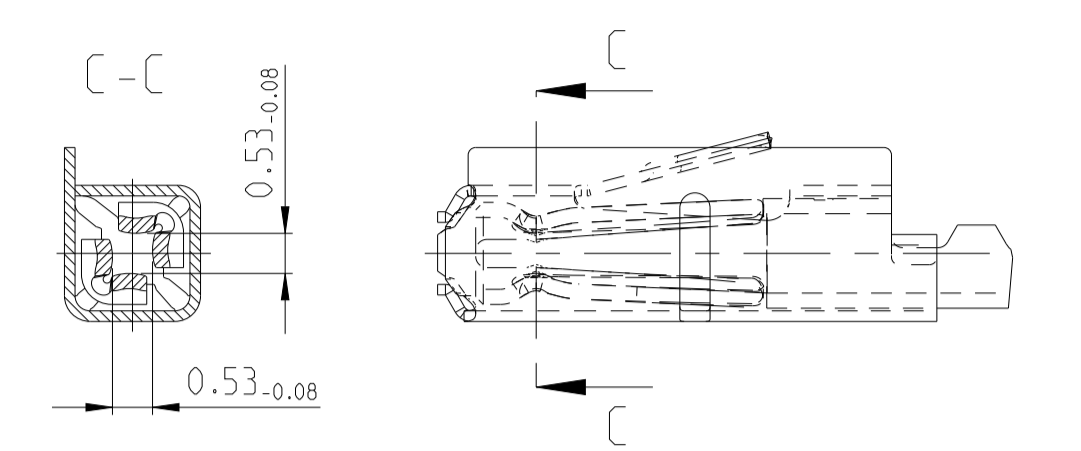
Ueberfeder / Spring
 MATERIAL: X10CrNi 18 8
 EN 10088-2
 Oberflaeche / SURFACE:
 blank / PLAIN

Kontaktkoerper / BODY
 MATERIAL: CuNiSi F57
 Oberflaeche: siehe Tabelle
 SURFACE: SEE CHART

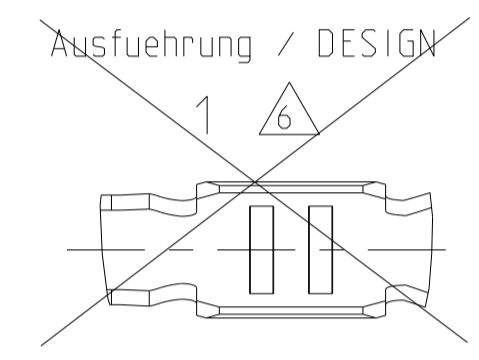
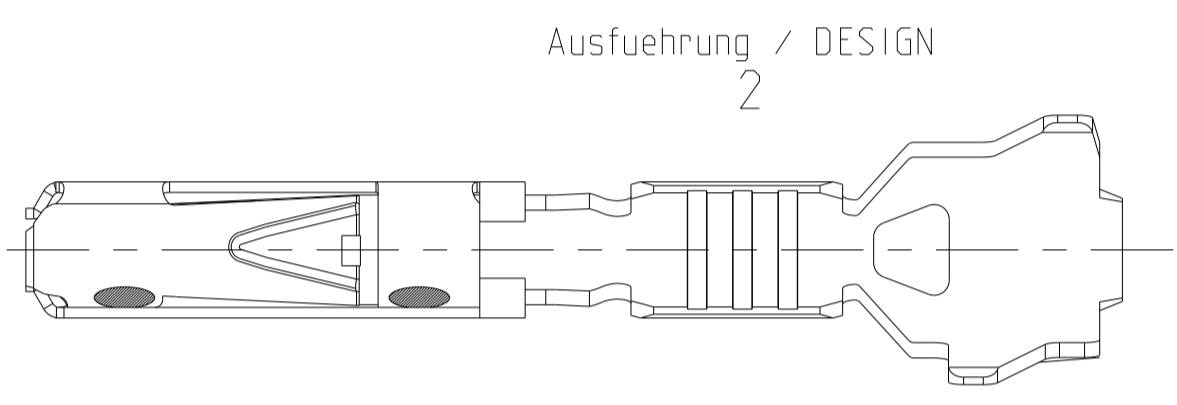
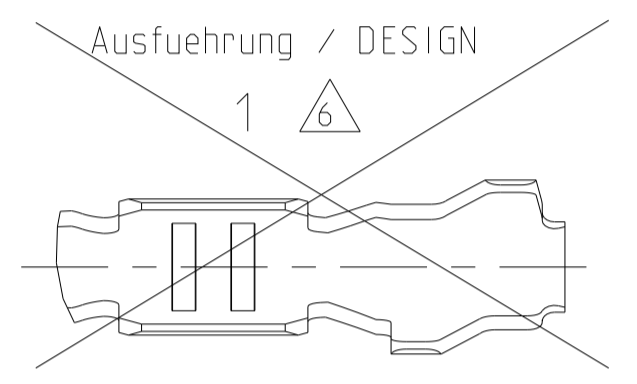
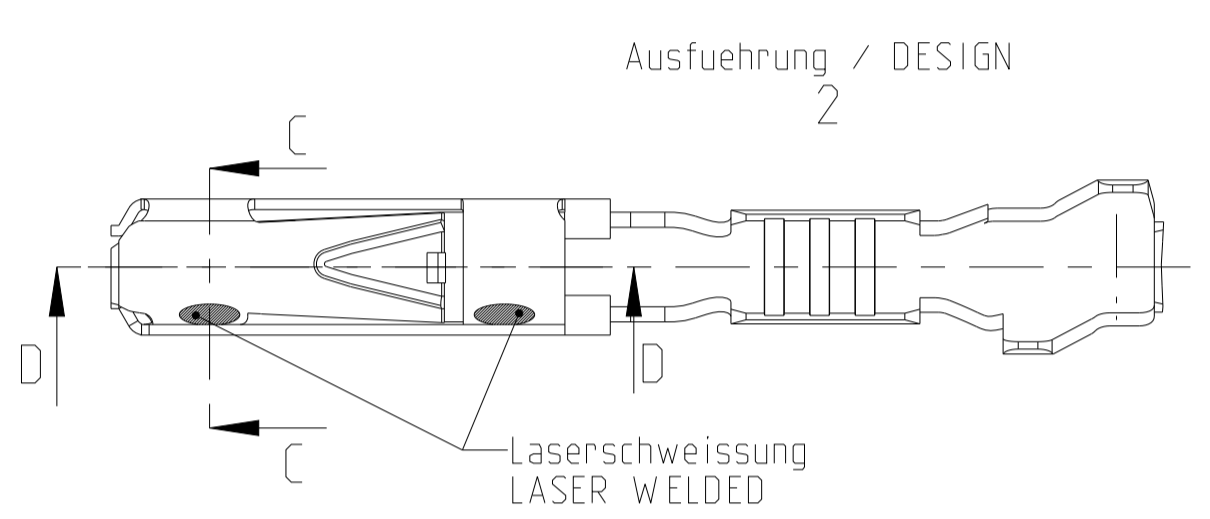
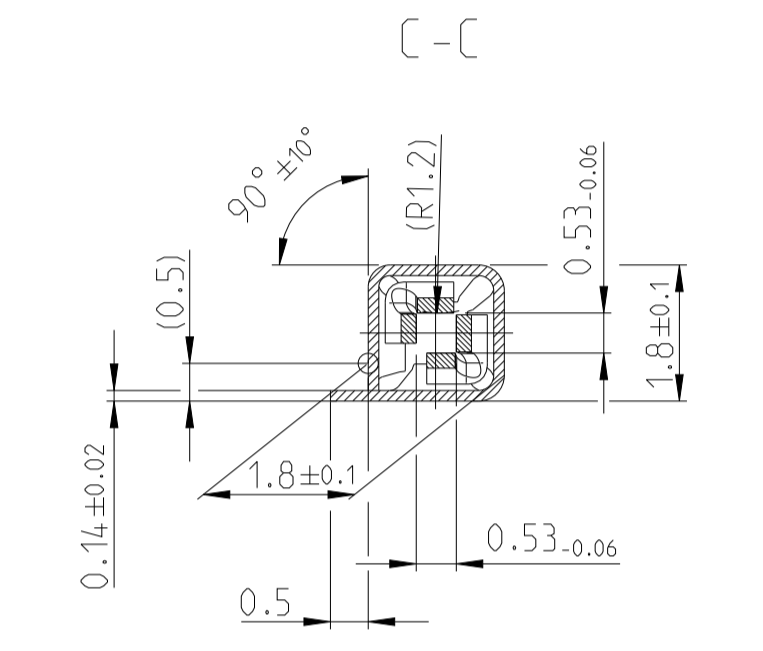
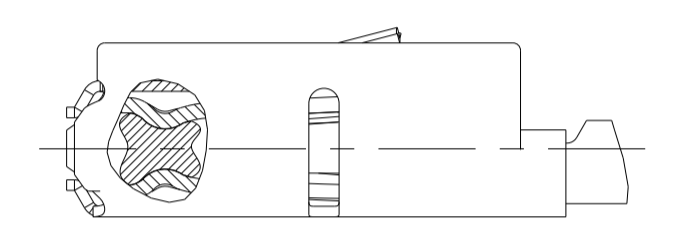


LOC	DIST	REVISIONS				
A1	-	PLN	DESCRIPTION	DATE	DMN	APVD
C23			Definition of measurement point f. contact height	30APR2019	FRAN	BERG
C24			See PCN E-19-011079	09DEC2019	MAH.	BERG
C25			See PCN E-20-001102	28AUG2020	MAH.	BERG
C26			See PCN E-20-016678 and PCN-21-110979	20AUG2021	FRAN	BERG

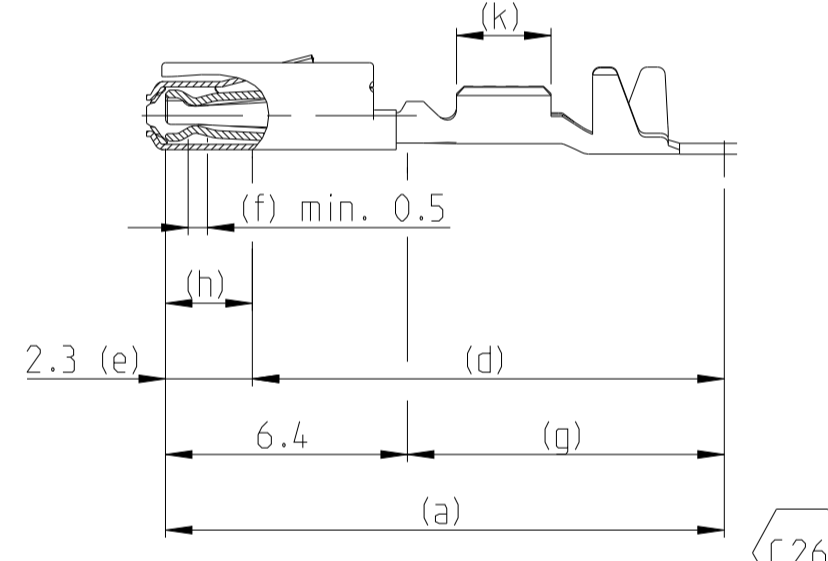
versilberte/vergoldete Ausfuehrung
 SILVER/GOLD VERSION



GEL VERSION



Oberflaeche / FINISH



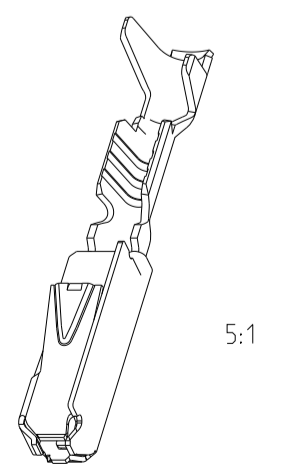
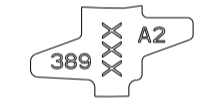
Sn: verzinnete Ausfuehrung
 TINNED
 (a) Kontaktkoerper: 0.8 - 2 µm Sn
 BODY: 0.8 - 2 µm Sn

Ag: versilbert
 SILVER
 (e) min. 0.3 µm Ag
 (f) min. 2.8 µm Ag INSIDE
 min. 2.8 µm Ag innen
 (g) min. 0.2 µm Sn
 (k) min. 0.8 - 2 µm Sn

Au (galvanisch): galvanisch vergoldet
 GOLD-ELECTROPLATED
 (d) 0.05-1 µm Ni, beidseitig
 0.05-1 µm Ni, ON BOTH SIDES
 (e) 1-3 µm Ni, beidseitig
 1-3 µm Ni, ON BOTH SIDES
 (f) min. 1.8 µm Au ueber (e), innen
 MIN. 1.8 µm Au OVER (e), INSIDE
 (g) min. 0.2 µm Sn ueber (d), beidseitig
 MIN. 0.2 µm Sn OVER (d), ON BOTH SIDES
 (h) Au galvanisch aufaufend
 Au OVERPLATING
 (k) min. 0.8 - 2.0 µm Sn

Bemerkungen

- Datumscode (Woche/Jahr z.B. KW 38/Jahr2009) und TE-Revision (z.B. Rev.A) DATE CODE (WEEK/YEAR E.G. WEEK NUMBER 38/YEAR2009) AND TE REVISION (E.G. REV. A)
- Passend zu Stiftkontakt siehe Zeichnung 929453 SUITABLE FOR PIN CONTACT SEE DRAWING 929453
- Einzelheiten der Ausfuehrung bleiben dem Hersteller ueberlassen DETAILS OF DESIGN ARE LEFT TO MANUFACTURER
- Nur fuer FLR-Leitung nach DIN 72551 Teil 6 FOR FLR-CONDUCTOR ACCORDING TO DIN 72551-6 ONLY
-
- nicht fuer Neuanwendung NOT FOR NEW APPLICATION
- zugverstaerkte Leitung nach LV 112-4 REINFORCED WIRE ACCORDING LV 112-4
- Bei doppelt fallenden Werkzeugen wird die erste Ueberfeder mit einer Kennzeichnung "-" versehen WITH DOUBLE OUT DIES THE FIRST SPRING WILL BE PROVIDED WITH AN INDICATION "-"
- Varianten von Design1 werden durch die entsprechenden Versionen von Design2 ersetzt VARIANTS OF DESIGN1 ARE SUPERSEDED BY CORRESPONDING VERSIONS OF DESIGN2



Bestell-Nr. / ORDER NO. / DESIGN	Rev.	Bestell-Nr. Ausfuehrung / ORDER NO. DESIGN	Rev.	VERSION	DGB Wire Size Range mm ²	Oberflaeche SURFACE	Laenge LENGTH mm	Drahtcrimp WIRE CRIMP mm	Iso-crimp INSU-CRIMP mm	Gewicht WEIGHT g	Vergaeltung Spez. APPLICATION SPEC.	DGB Wire Size Range mm ²	Isolations Ø INSULATIN DIA. mm	fuer Kammer Ø3.45 FOR CAVITY DIA. 3.45 mm	Blindstopfen RUBBER PLUG	fuer Kammer Ø4 FOR CAVITY DIA. 4 mm	Blindstopfen RUBBER PLUG	zugehoerige Einzeldichtung / SUITABLE SINGLE WIRE SEAL			
6-965906-5	E	1-965906-5	D	Einzeldichtungssystem SINGLE WIRE SEAL SYSTEM	0.50-0.75	Au-Gel	A = 2.8 B = 4.2 C = 6.2 D = 14.3 M = 0.7	E = 2 G = 2.1 D _{Dr} = 1	H = 3.5 K = 3.4 L = 1.5 D ₁₅₀ = 2.4	0.13	114-18025	0.75	1.4-1.9	967067-1	967056-1 blau / BLUE	963142-1	967056-1 blau / BLUE	-			
5-965906-6	D	965906-6	C			Ag	A = 2.5 B = 3.9 C = 5.9 D = 14 M = 0.7	E = 1.8 G = 1.8 D _{Dr} = 0.8	H = 3.5 K = 3.4 L = 1.5 D ₁₅₀ = 2.4					0.35		0.9-1.4			967067-2	963142-2	
5-965906-5	E	965906-5	D			Au	A = 2.5 B = 4.3 C = 6.2 D = 14.2 M = 0.6	E = 1.5 G = 1.4	H = 4 K = 3.9 N = 3.1 D ₁₅₀ = 2.6					0.13		0.85-1.25			967067-2	963142-2	
5-965906-1	D	965906-1	C			Sn	A = 2.5 B = 3.9 C = 5.9 D = 14 M = 0.7	E = 1.8 G = 1.8 D _{Dr} = 0.8	H = 3.5 K = 3.4 L = 1.5 D ₁₅₀ = 2.4					0.2		0.9-1.4			967067-2	963142-2	
5-962885-6	J	962885-6	H	normale Anwendung USUAL APPLICATION	0.25-0.35	Au-Gel	A = 2.5 B = 3.9 C = 5.9 D = 14 M = 0.7	E = 1.8 G = 1.8 D _{Dr} = 0.8	H = 2.3 K = 2.3 L = 0.6 D ₁₅₀ = 1.4	0.11	114-18021	-	-	967067-2	-	963142-2	-	-			
5-962885-5	K	962885-5	J			Ag	A = 2.5 B = 3.9 C = 5.9 D = 14 M = 0.7	E = 1.8 G = 1.8 D _{Dr} = 0.8	H = 2.3 K = 2.3 L = 0.6 D ₁₅₀ = 1.4					0.13		0.85-1.25			967067-2	963142-2	
5-962885-1	J	962885-1	H			Au	A = 2.5 B = 3.9 C = 5.9 D = 14 M = 0.7	E = 1.8 G = 1.8 D _{Dr} = 0.8	H = 2.3 K = 2.3 L = 0.6 D ₁₅₀ = 1.4					0.17		0.85-1.25			967067-2	963142-2	
2141826-6	A					Sn	A = 2.5 B = 3.9 C = 5.9 D = 14 M = 0.7	E = 1.8 G = 1.8 D _{Dr} = 0.8	H = 2.3 K = 2.3 L = 0.6 D ₁₅₀ = 1.4					0.1		0.85-1.25			967067-2	963142-2	
2141826-5	A			normale Anwendung USUAL APPLICATION	0.13 / 0.17	Ag	A = 2.5 B = 4.3 C = 6.2 D = 14.2 M = 0.6	E = 1.5 G = 1.4	H = 4 K = 3.9 N = 3.1 D ₁₅₀ = 2.6	0.1	114-18025	0.13	0.85-1.25	967067-2	967056-1 blau / BLUE	963142-2	967056-1 blau / BLUE	-	-		
2141826-1	A					Au	A = 2.5 B = 4.3 C = 6.2 D = 14.2 M = 0.6	E = 1.5 G = 1.4	H = 4 K = 3.9 N = 3.1 D ₁₅₀ = 2.6					0.1		0.85-1.25				967067-2	963142-2
6-963715-5	K	1-963715-5	J			Sn	A = 2.5 B = 4.3 C = 6.2 D = 14.2 M = 0.6	E = 1.5 G = 1.4	H = 4 K = 3.9 N = 3.1 D ₁₅₀ = 2.6					0.1		0.85-1.25				967067-2	963142-2
5-963715-6	J	963715-6	H			Au-Gel	A = 2.5 B = 3.9 C = 5.9 D = 13.7 M = 0.2	E = 2 G = 2.1 D _{Dr} = 1	H = 2.7 K = 2.9 L = 0.7 D ₁₅₀ = 1.6					0.11		-				-	-
5-963715-5	K	963715-5	J	normale Anwendung USUAL APPLICATION	0.50-0.75	Ag	A = 2.5 B = 3.9 C = 5.9 D = 13.7 M = 0.2	E = 2 G = 2.1 D _{Dr} = 1	H = 2.7 K = 2.9 L = 0.7 D ₁₅₀ = 1.6	0.11	114-18021	-	-	967067-2	-	963142-2	-	-	-		
5-963715-1	J	963715-1	H			Au	A = 2.5 B = 3.9 C = 5.9 D = 13.7 M = 0.2	E = 2 G = 2.1 D _{Dr} = 1	H = 2.7 K = 2.9 L = 0.7 D ₁₅₀ = 1.6					0.11		-				-	-
6-928999-5	T	1-928999-5	S			Sn	A = 2.5 B = 3.9 C = 5.9 D = 13.7 M = 0.2	E = 2 G = 2.1 D _{Dr} = 1	H = 2.7 K = 2.9 L = 0.7 D ₁₅₀ = 1.6					0.11		-				-	-
5-928999-6	S	928999-6	R			Au-Gel	A = 2.5 B = 3.9 C = 5.9 D = 13.7 M = 0.2	E = 2 G = 2.1 D _{Dr} = 1	H = 2.7 K = 2.9 L = 0.7 D ₁₅₀ = 1.6					0.11		-				-	-
5-928999-5	T	928999-5	S	normale Anwendung USUAL APPLICATION	0.25-0.35	Ag	A = 2.5 B = 3.9 C = 5.9 D = 13.7 M = 0.2	E = 1.8 G = 1.8 D _{Dr} = 0.8	H = 2.3 K = 2.3 L = 0.6 D ₁₅₀ = 1.4	0.11	114-18021	-	-	967067-2	-	963142-2	-	-	-		
5-928999-1	S	928999-1	R			Au	A = 2.5 B = 3.9 C = 5.9 D = 13.7 M = 0.2	E = 1.8 G = 1.8 D _{Dr} = 0.8	H = 2.3 K = 2.3 L = 0.6 D ₁₅₀ = 1.4					0.11		-				-	-
2141824-6	A					Sn	A = 2.5 B = 3.9 C = 5.9 D = 13.7 M = 0.2	E = 1.8 G = 1.8 D _{Dr} = 0.8	H = 2.3 K = 2.3 L = 0.6 D ₁₅₀ = 1.4					0.11		-				-	-
2141824-5	A					Au-Gel	A = 2.5 B = 3.9 C = 5.9 D = 13.7 M = 0.2	E = 2 G = 2.1 D _{Dr} = 1	H = 2.7 K = 2.9 L = 0.7 D ₁₅₀ = 1.6					0.11		-				-	-
2141824-1	A			normale Anwendung USUAL APPLICATION	0.13 / 0.17	Ag	A = 2.5 B = 4.3 C = 6.2 D = 14.2 M = 0.6	E = 1.5 G = 1.4	H = 4 K = 3.9 N = 3.1 D ₁₅₀ = 2.6	0.1	114-18025	0.13	0.85-1.25	967067-2	967056-1 blau / BLUE	963142-2	967056-1 blau / BLUE	-	-		
1355717-6	A					Au	A = 2.5 B = 4.3 C = 6.2 D = 14.2 M = 0.6	E = 1.5 G = 1.4	H = 4 K = 3.9 N = 3.1 D ₁₅₀ = 2.6					0.1		0.85-1.25				967067-2	963142-2
1355717-5	C					Sn	A = 2.5 B = 4.3 C = 6.2 D = 14.2 M = 0.6	E = 1.5 G = 1.4	H = 4 K = 3.9 N = 3.1 D ₁₅₀ = 2.6					0.1		0.85-1.25				967067-2	963142-2
1355717-1	C					Au-Gel	A = 2.5 B = 4.3 C = 6.2 D = 14.2 M = 0.6	E = 2 G = 2.1 D _{Dr} = 1	H = 2.7 K = 2.9 L = 0.7 D ₁₅₀ = 1.6					0.11		-				-	-
1355717-1	C			normale Anwendung USUAL APPLICATION	0.08-0.22	Ag	A = 2.5 B = 3.7 C = 5.4 D = 13.7 M = 0	E = 1.5 G = 1.5 D _{Dr} = 0.65	H = 2 K = 2 D ₁₅₀ = 1.1	0.1	114-18021	0.08-0.22	-	967067-2	-	963142-2	-	-	-		
1355717-5	C					Au	A = 2.5 B = 3.7 C = 5.4 D = 13.7 M = 0	E = 1.5 G = 1.5 D _{Dr} = 0.65	H = 2 K = 2 D ₁₅₀ = 1.1					0.1		0.08-0.22				967067-2	963142-2
1355717-1	C					Sn	A = 2.5 B = 3.7 C = 5.4 D = 13.7 M = 0	E = 1.5 G = 1.5 D _{Dr} = 0.65	H = 2 K = 2 D ₁₅₀ = 1.1					0.1		0.08-0.22				967067-2	963142-2
1355717-6	A					Au-Gel	A = 2.5 B = 3.7 C = 5.4 D = 13.7 M = 0	E = 2 G = 2.1 D _{Dr} = 1	H = 2.7 K = 2.9 L = 0.7 D ₁₅₀ = 1.6					0.11		-				-	-

THIS DRAWING IS A CONTROLLED DOCUMENT. DMN S. Garcia 05JAN1999
 CHK M. Bleicher 05JAN1999
 R. Jetter 13AUG2003

DIMENSIONS: mm TOLERANCES UNLESS OTHERWISE SPECIFIED: ±0.2

MATERIAL: - FINISH: -

APVD M. Bleicher 13AUG2003 NAME: MQS
 PRODUCT SPEC: 108-18030
 APPLICATION SPEC: 114-18021 / 114-18025
 WEIGHT: - SIZE: A1 CAGE CODE: 00779 DRAWING NO: 929454 RESTRICTED TO: -
 CUSTOMER DRAWING SCALE: 10:1 SHEET: 1 OF 1 REV: C26

TE Connectivity

Tabellenzeichnung Buchsenkontakt
 TABLE SOCKET CONTACT

X-ON Electronics

Largest Supplier of Electrical and Electronic Components

Click to view similar products for [Automotive Connectors](#) category:

Click to view products by [TE Connectivity](#) manufacturer:

Other Similar products are found below :

[003-018-000](#) [60403001](#) [60993906-B](#) [M902-2131](#) [M902-2161](#) [72.330.1035.1](#) [73.353.4028.0](#) [F119300-B](#) [F166900](#) [F258300-B](#) [F358300-B](#)
[F407400](#) [F444110](#) [F487000](#) [F509500B-B](#) [827153-1](#) [8N1515-32-24P](#) [9-1326729-8](#) [925474-1](#) [928905-1](#) [964562-4](#) [968782-1](#) [GT17SA-8DS-](#)
[HU](#) [98891-1012](#) [98947-1016](#) [12004147](#) [12004475-L](#) [12010290](#) [12010309-B](#) [12015454](#) [12020219-B](#) [12020308](#) [12041318-B](#) [12052225-L](#)
[12052466](#) [12059125](#) [12064869](#) [12004327-B](#) [12010503-B](#) [12015308](#) [12015384](#) [12015909](#) [1-21030-1](#) [12041254](#) [12041318](#) [12047946-B](#)
[12047957](#) [12047957-L](#) [12059473](#) [12066261](#)