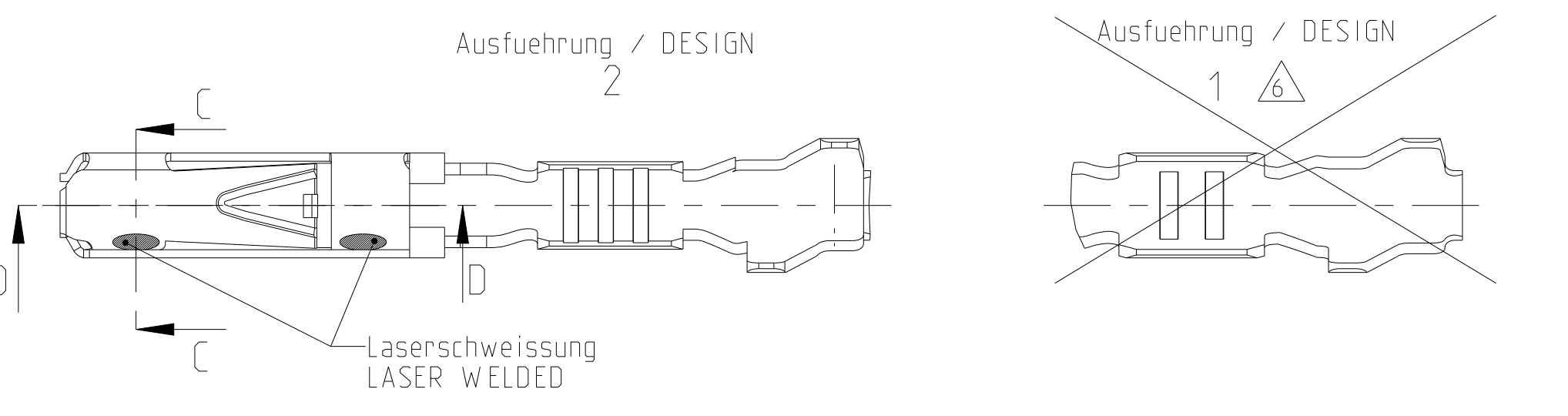
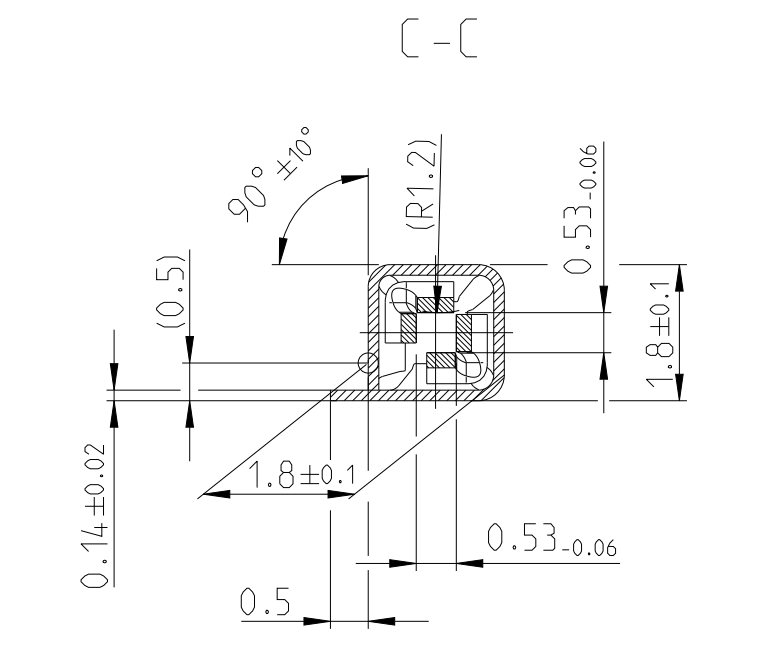
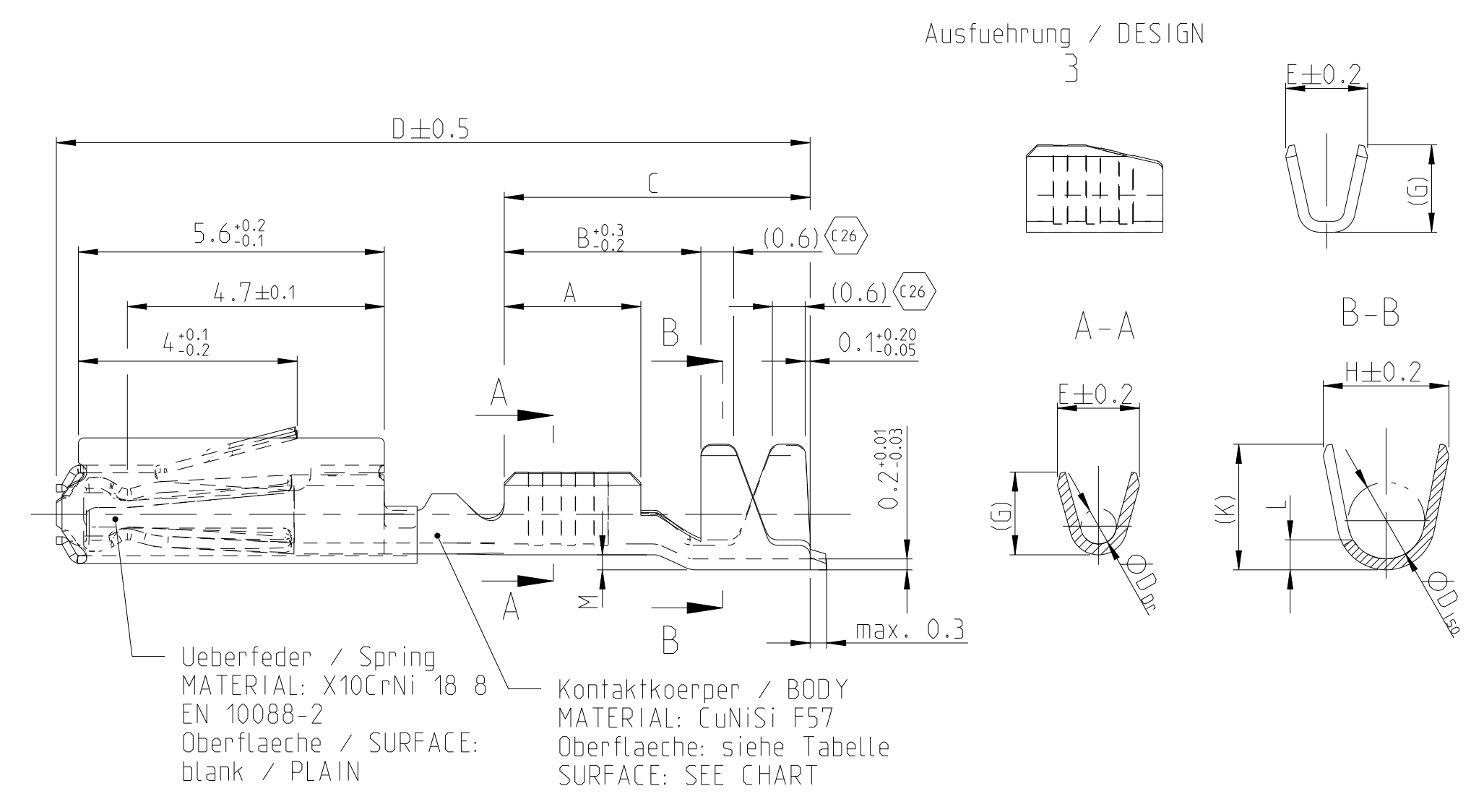
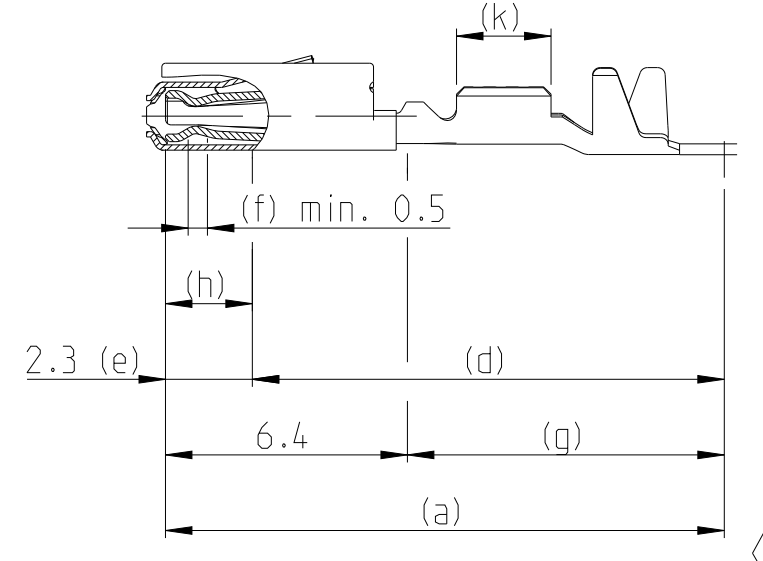


Normale Anwendung USUAL APPLICATION

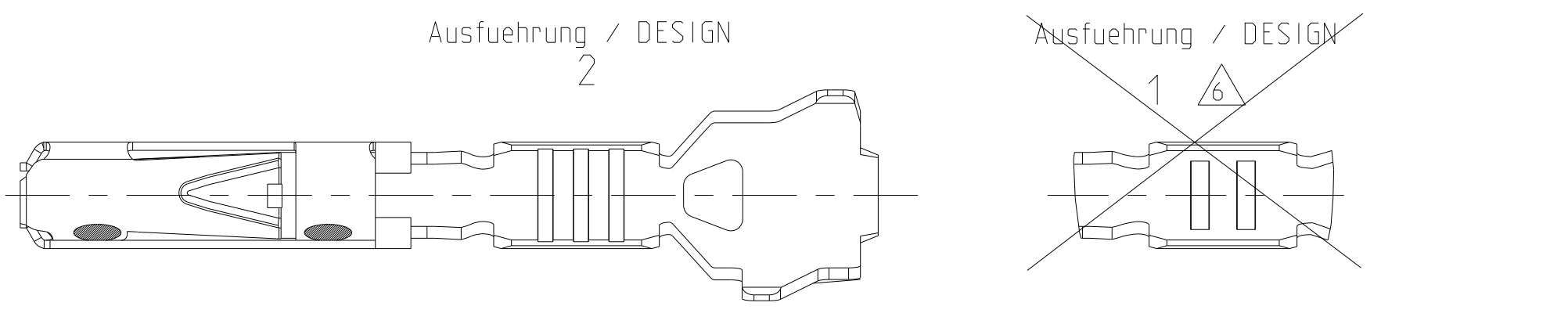
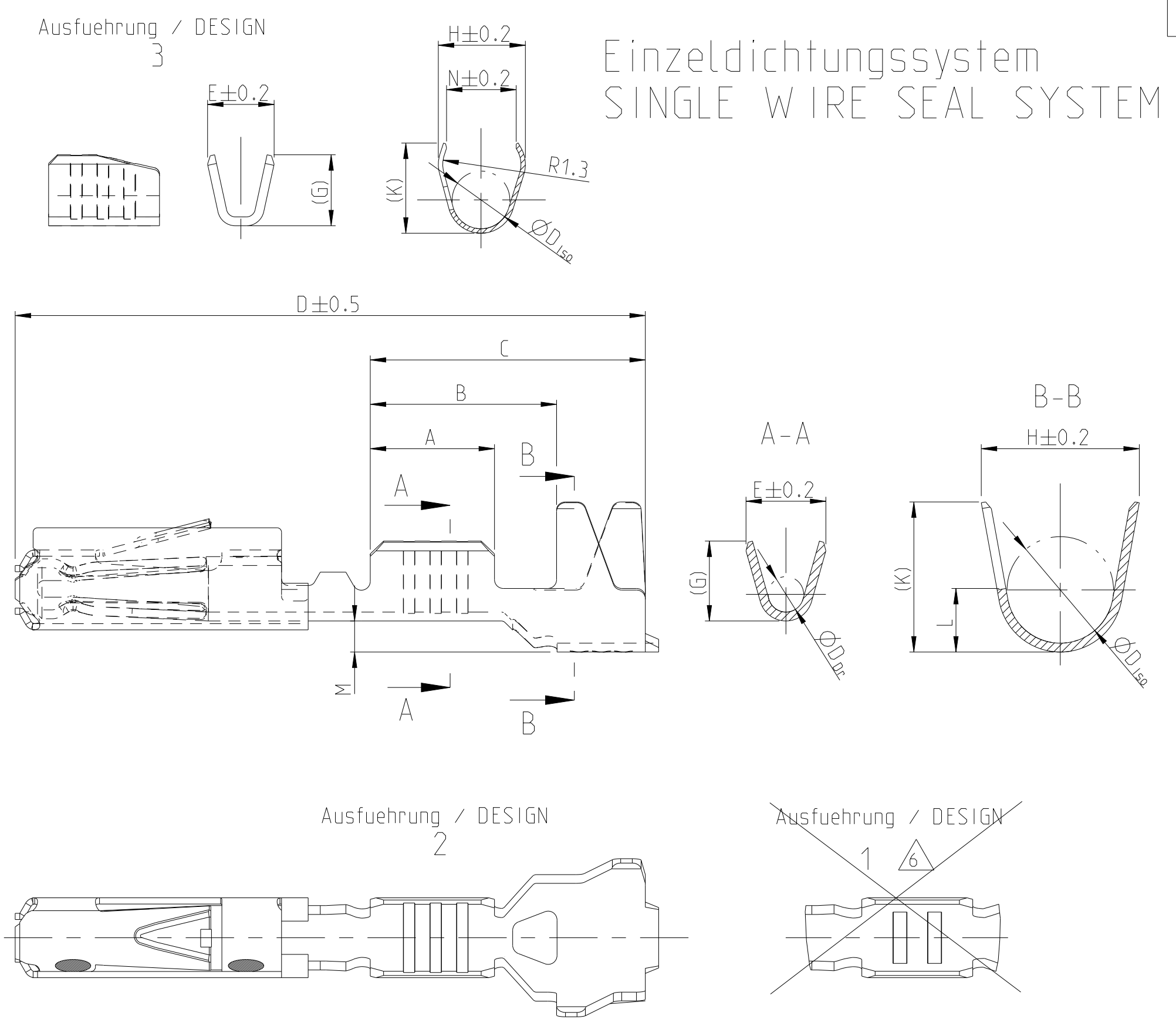


Oberflaeche / FINISH



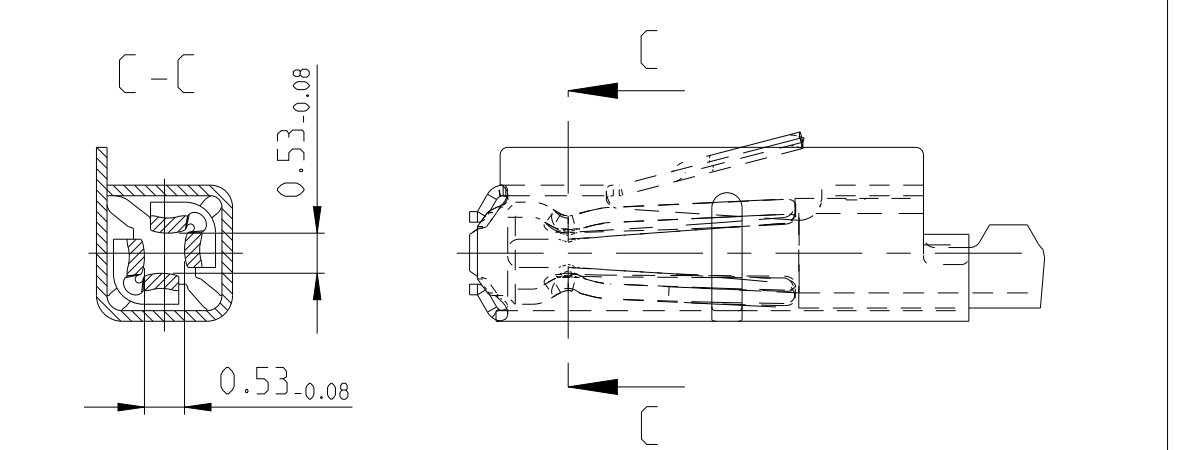
- Sn: verzinnete Ausfuehrung TINNED**
 (a) Kontaktkoerper: 0.8 - 2 µm Sn
 BODY: 0.8 - 2 µm Sn
- Ag: versilbert SILVER**
 (e) min. 0.3 µm Ag
 (f) min. 2.8 µm Ag INSIDE
 min. 2.8 µm Ag innen
 (g) min. 0.2 µm Sn
 (k) min. 0.8 - 2 µm Sn
- Au (galvanisch): galvanisch vergoldet GOLD-ELECTROPLATED**
 (d) 0.05-1 µm Ni, beidseitig
 0.05-1 µm Ni, ON BOTH SIDES
 (e) 1-3 µm Ni, beidseitig
 1-3 µm Ni, ON BOTH SIDES
 (f) min. 1.8 µm Au ueber (e), innen
 MIN. 1.8 µm Au OVER (e), INSIDE
 (g) min. 0.2 µm Sn ueber (d), beidseitig
 MIN. 0.2 µm Sn OVER (d), ON BOTH SIDES
 (h) Au galvanisch aufaufend
 Au OVERPLATING
 (k) min. 0.8 - 2.0 µm Sn

Ausfuehrung / DESIGN 3 Einzeldichtungssystem SINGLE WIRE SEAL SYSTEM

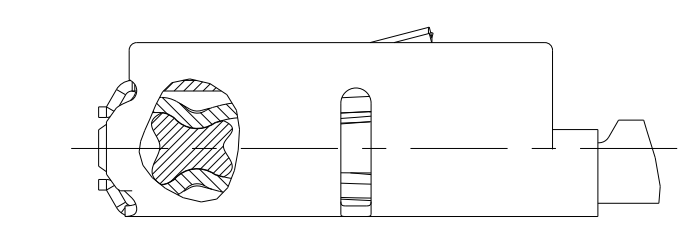


REV.	DATE	BY	CHK	APPV
C23	30APR2019	FRAN	BERG	
C24	09DEC2019	MAH.	BERG	
C25	28AUG2020	MAH.	BERG	
C26	20AUG2021	FRAN	BERG	

versilberte/vergoldete Ausfuehrung SILVER/GOLD VERSION

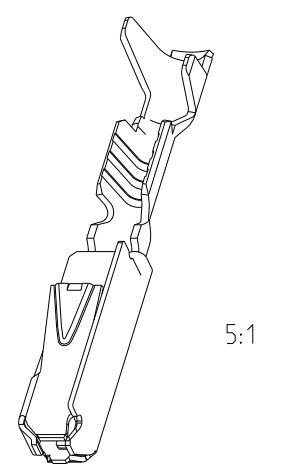
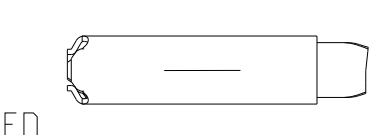
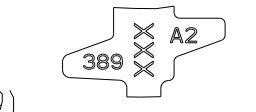


GEL VERSION



- Bemerkungen**
- Datumscode (Woche/Jahr z.B. KW 38/Jahr2009) und TE-Revision (z.B. Rev.A) DATE CODE (WEEK/YEAR E.G. WEEK NUMBER 38/YEAR2009) AND TE REVISION (E.G. REV. A)
 - Passend zu Stiftkontakt siehe Zeichnung 929453 SUITABLE FOR PIN CONTACT SEE DRAWING 929453
 - Einzelheiten der Ausfuehrung bleiben dem Hersteller ueberlassen DETAILS OF DESIGN ARE LEFT TO MANUFACTURER
 - Nur fuer FLR-Leitung nach DIN 72551 Teil 6 FOR FLR-CONDUCTOR ACCORDING TO DIN 72551-6 ONLY
 -
 - nicht fuer Neuanwendung NOT FOR NEW APPLICATION
 - zugverstaerkte Leitung nach LV 112-4 REINFORCED WIRE ACCORDING LV 112-4
 - Bei doppelt fallenden Werkzeugen wird die erste Ueberfeder mit einer Kennzeichnung "-" versehen WITH DOUBLE OUT DIES THE FIRST SPRING WILL BE PROVIDED WITH AN INDICATION "-"
 - Varianten von Design1 werden durch die entsprechenden Versionen von Design2 ersetzt VARIANTS OF DESIGN1 ARE SUPERSEDED BY CORRESPONDING VERSIONS OF DESIGN2

Bestell-Nr. Ausfuehrung ORDER NO. DESIGN	Bestell-Nr. Ausfuehrung ORDER NO. DESIGN	Rev.	Bestell-Nr. Ausfuehrung ORDER NO. DESIGN	Rev.	VERSION	DGB Wire Size Range mm ²	Oberflaeche SURFACE	Laenge LENGTH mm	Drahtcrimp WIRE CRIMP mm	Iso-crimp INSU-CRIMP mm	Gewicht WEIGHT g	Vergaeltung Spez. APPLICATION SPEC.	DGB Wire Size Range mm ²	Isolations Ø INSULATING DIA. mm	fuer Kammer Ø3.45 FOR CAVITY DIA. 3.45 mm	Blindstopfen RUBBER PLUG	fuer Kammer Ø4 FOR CAVITY DIA. 4 mm	Blindstopfen RUBBER PLUG	zugehoerige Einzeldichtung / SUITABLE SINGLE WIRE SEAL				
6-965906-5	1-965906-5	E	1-965906-5	D	Einzeldichtungssystem SINGLE WIRE SEAL SYSTEM	0.50-0.75	Au-Gel	A = 2.8 B = 4.2 C = 6.2 D = 14.3 M = 0.7	E = 2 G = 2.1 D _{Dr} = 1	H = 3.5 K = 3.4 L = 1.5 D ₁₅₀ = 2.4	0.13	114-18025	0.75	1.4-1.9	967067-1 gruen GREEN	967056-1 blau / BLUE	963142-1 schwarz BLACK	967056-1 blau / BLUE					
5-965906-6	965906-6	D	965906-6	C			Ag	A = 2.5 B = 3.9 C = 5.9 D = 14 M = 0.7	E = 1.8 G = 1.8 D _{Dr} = 0.8	H = 3.5 K = 3.4 L = 1.5 D ₁₅₀ = 2.4										0.35	0.9-1.4	967067-2 gelb YELLOW	963142-2 grau GREY
5-965906-5	965906-5	E	965906-5	D			Au	A = 2.5 B = 4.3 C = 6.2 D = 14.2 M = 0.6 (C26)	E = 1.5 G = 1.4	H = 4 K = 3.9 N = 3.1 D ₁₅₀ = 2.6										0.2	0.85-1.25	967067-2 gelb YELLOW	963142-2 grau GREY
5-965906-1	965906-1	D	965906-1	C			Sn																
5-962885-6	962885-6	J	962885-6	H	normale Anwendung USUAL APPLICATION	0.25-0.35	Au-Gel	A = 2.5 B = 3.6 C = 5.6 D = 13.7 M = 0.2	E = 1.8 G = 1.8 D _{Dr} = 0.8	H = 2.3 K = 2.3 L = 0.6 D ₁₅₀ = 1.4	0.11	114-18021	0.35	0.9-1.4	967067-2 gelb YELLOW	967056-1 blau / BLUE	963142-2 grau GREY	967056-1 blau / BLUE					
5-962885-5	962885-5	K	962885-5	J			Ag	A = 2.5 B = 3.7 C = 5.4 D = 13.7 M = 0	E = 1.5 G = 1.5 D _{Dr} = 0.65	H = 2 K = 2 D ₁₅₀ = 1.1										0.13	0.85-1.25	967067-2 gelb YELLOW	963142-2 grau GREY
5-962885-1	962885-1	J	962885-1	H			Au																
2141826-6		A					Sn																
2141826-5		A			Ag																		
2141826-1		A			Au																		
6-963715-5	1-963715-5	K	1-963715-5	J	normale Anwendung USUAL APPLICATION	0.50-0.75	Au-Gel	A = 2.8 B = 3.8 C = 5.6 D = 13.7 M = 0.2	E = 2 G = 2.1 D _{Dr} = 1	H = 2.7 K = 2.9 L = 0.7 D ₁₅₀ = 1.6	0.11	114-18021	0.75	1.4-1.9	967067-1 gruen GREEN	967056-1 blau / BLUE	963142-1 schwarz BLACK	967056-1 blau / BLUE					
5-963715-6	963715-6	J	963715-6	H			Ag	A = 2.5 B = 3.6 C = 5.6 D = 13.7 M = 0.2	E = 1.8 G = 1.8 D _{Dr} = 0.8	H = 2.3 K = 2.3 L = 0.6 D ₁₅₀ = 1.4										0.35	0.9-1.4	967067-2 gelb YELLOW	963142-2 grau GREY
5-963715-5	963715-5	K	963715-5	J			Au																
5-963715-1	963715-1	J	963715-1	H			Sn																
6-928999-5	1-928999-5	T	1-928999-5	S	normale Anwendung USUAL APPLICATION	0.25-0.35	Au-Gel	A = 2.5 B = 3.6 C = 5.6 D = 13.7 M = 0.2	E = 1.8 G = 1.8 D _{Dr} = 0.8	H = 2.3 K = 2.3 L = 0.6 D ₁₅₀ = 1.4	0.11	114-18021	0.35	0.9-1.4	967067-2 gelb YELLOW	967056-1 blau / BLUE	963142-2 grau GREY	967056-1 blau / BLUE					
5-928999-6	928999-6	S	928999-6	R			Ag	A = 2.5 B = 3.7 C = 5.4 D = 13.7 M = 0	E = 1.5 G = 1.5 D _{Dr} = 0.65	H = 2 K = 2 D ₁₅₀ = 1.1										0.13	0.85-1.25	967067-2 gelb YELLOW	963142-2 grau GREY
5-928999-5	928999-5	T	928999-5	S			Au																
5-928999-1	928999-1	S	928999-1	R			Sn																
2141824-6		A			Ag																		
2141824-5		A			Au																		
2141824-1		A			Sn																		
1355717-6		A			Ag																		
1355717-5		C			Au																		
1355717-1		C			Sn																		



THIS DRAWING IS A CONTROLLED DOCUMENT.		OWN: S. Garcia 05JAN1999	TE Connectivity	
DIMENSIONS: mm		CHK: M. Bleicher 05JAN1999	NAME: MQS	
TOLERANCES UNLESS OTHERWISE SPECIFIED: ±0.2		APPV: M. Bleicher 13AUG2003	PRODUCT SPEC: 108-18030	
MATERIAL: -		FINISH: -	APPLICATION SPEC: 114-18021 / 114-18025	
Blindstopfen RUBBER PLUG		WEIGHT: -	RESTRICTED TO: -	
fuer Kammer Ø4 FOR CAVITY DIA. 4 mm		CUSTOMER DRAWING	SCALE: 10:1 SHEET: 1 OF 1 REV: C26	

X-ON Electronics

Largest Supplier of Electrical and Electronic Components

Click to view similar products for [Automotive Connectors](#) category:

Click to view products by [TE Connectivity](#) manufacturer:

Other Similar products are found below :

[003-018-000](#) [60403001](#) [60993906-B](#) [M902-2131](#) [M902-2161](#) [M902-2344](#) [72.330.1035.1](#) [73.353.4028.0](#) [F119300-B](#) [F166900](#) [F258300-B](#)
[F358300-B](#) [F407400](#) [F444110](#) [F487000](#) [F509500B-B](#) [827153-1](#) [8N1515-32-24P](#) [9-1326729-8](#) [925474-1](#) [928905-1](#) [964562-4](#) [968782-1](#)
[GT17SA-8DS-HU](#) [98891-1012](#) [98947-1016](#) [12004147](#) [12004475-L](#) [12010290](#) [12010309-B](#) [12015454](#) [12020219-B](#) [12041318-B](#) [12052225-](#)
[L](#) [12052466](#) [12064869](#) [12004327-B](#) [12015308](#) [12015384](#) [12015909](#) [1-21030-1](#) [12041254](#) [12041318](#) [12047946-B](#) [12047957](#) [12047957-L](#)
[12059473](#) [12066261](#) [12110546](#) [12110546-B](#)