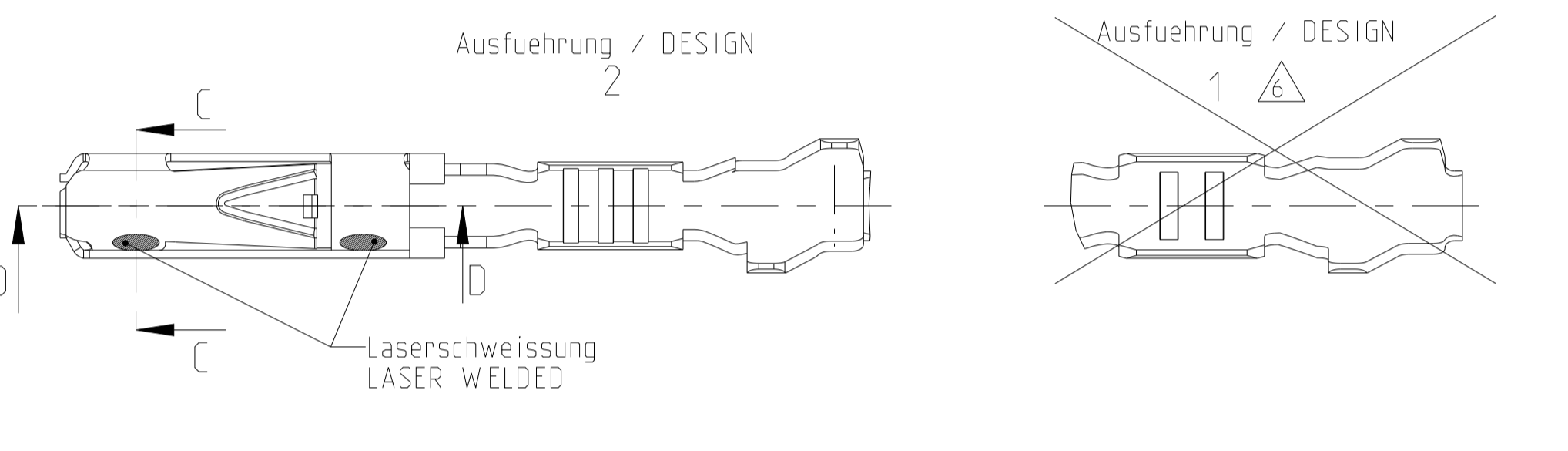
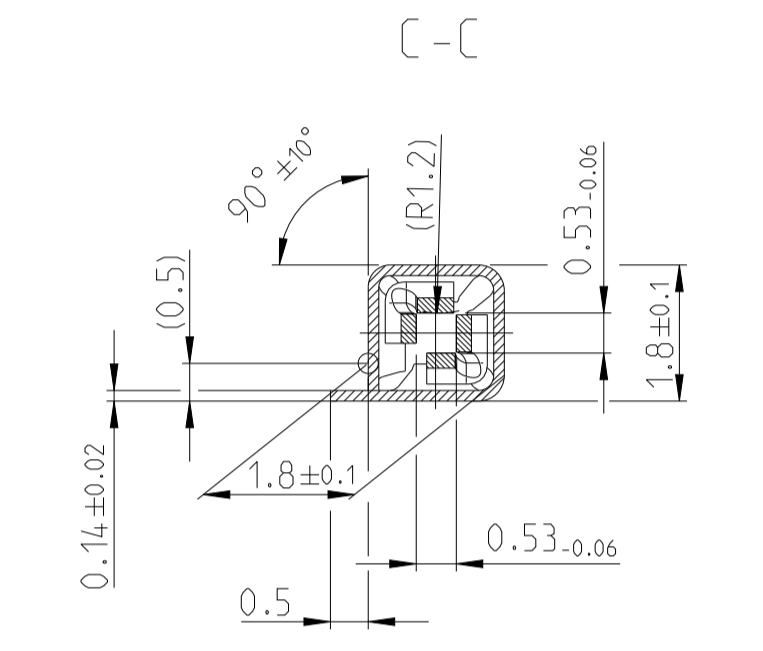
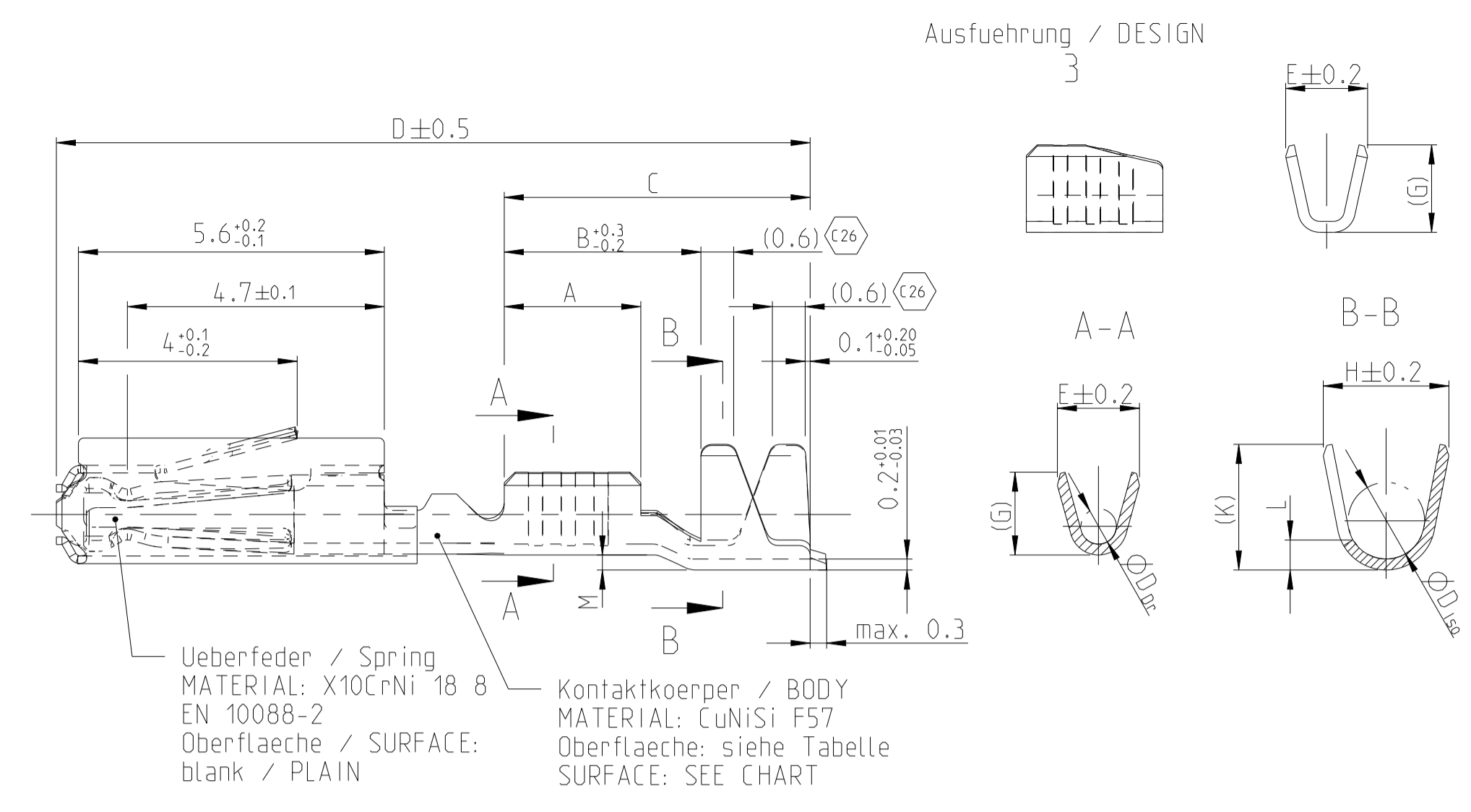
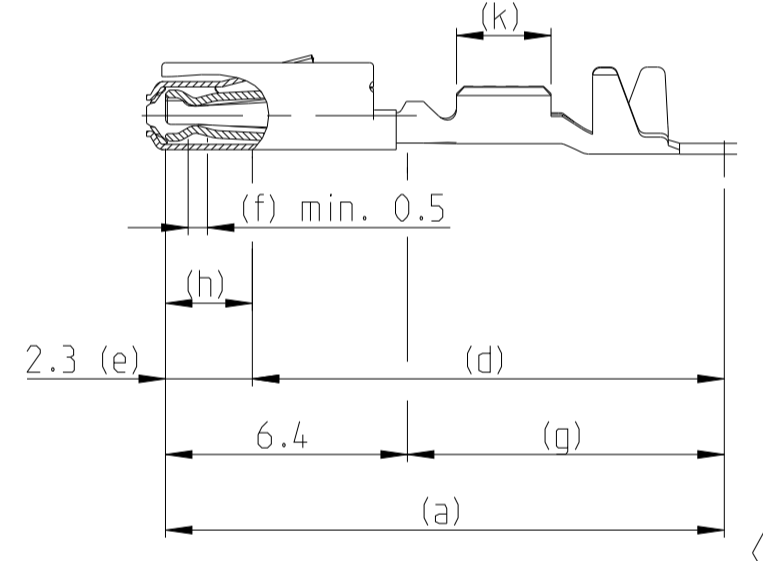


Normale Anwendung USUAL APPLICATION

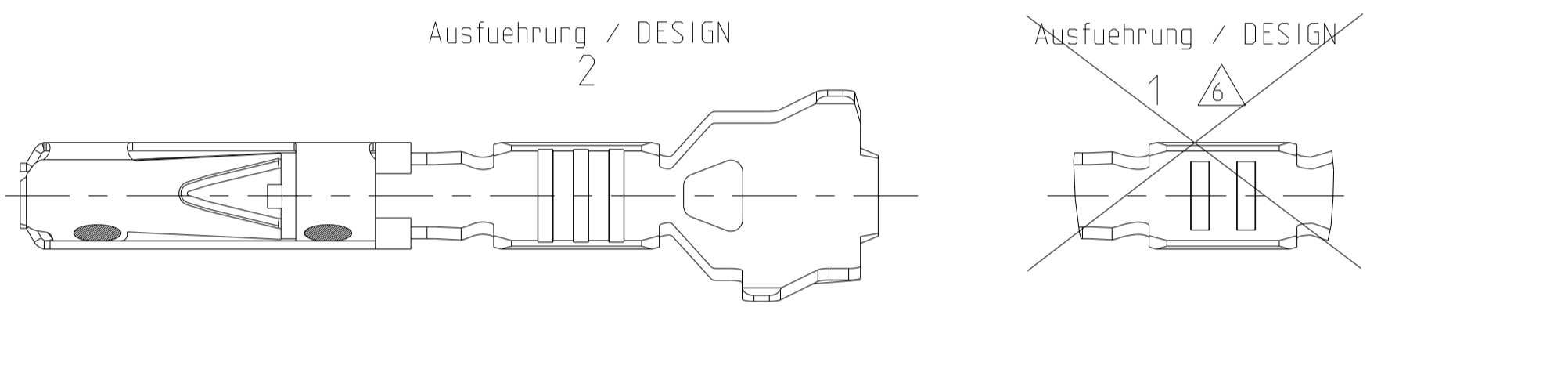
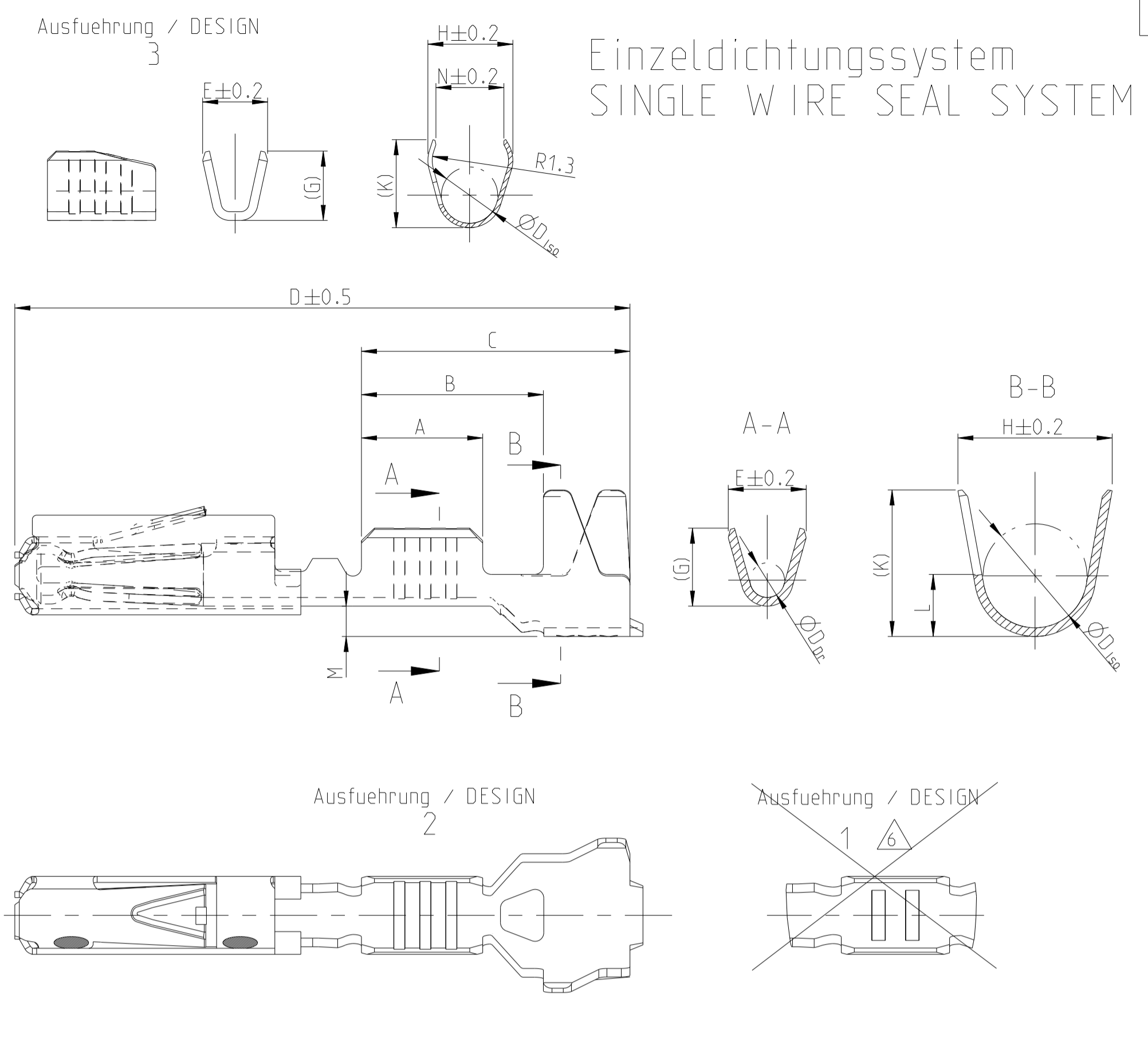


Oberflaeche / FINISH



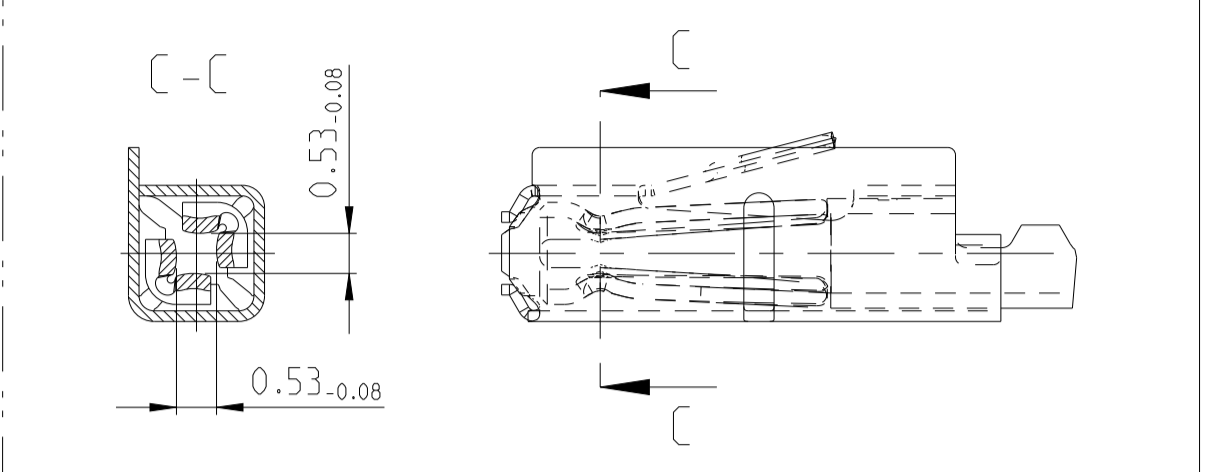
- Sn: verzinnete Ausfuehrung TINNED**
 (a) Kontaktkoerper: 0.8 - 2 µm Sn
 BODY: 0.8 - 2 µm Sn
- Ag: versilbert SILVER**
 (e) min. 0.3 µm Ag
 (f) min. 2.8 µm Ag INSIDE
 min. 2.8 µm Ag innen
 (g) min. 0.2 µm Sn
 (k) min. 0.8 - 2 µm Sn
- Au (galvanisch): galvanisch vergoldet GOLD-ELECTROPLATED**
 (d) 0.05-1 µm Ni, beidseitig
 0.05-1 µm Ni, ON BOTH SIDES
 (e) 1-3 µm Ni, beidseitig
 1-3 µm Ni, ON BOTH SIDES
 (f) min. 1.8 µm Au ueber (e), innen
 MIN. 1.8 µm Au OVER (e), INSIDE
 (g) min. 0.2 µm Sn ueber (d), beidseitig
 MIN. 0.2 µm Sn OVER (d), ON BOTH SIDES
 (h) Au galvanisch aufaufend
 Au OVERPLATING
 (k) min. 0.8 - 2.0 µm Sn

Ausfuehrung / DESIGN 3 Einzeldichtungssystem SINGLE WIRE SEAL SYSTEM

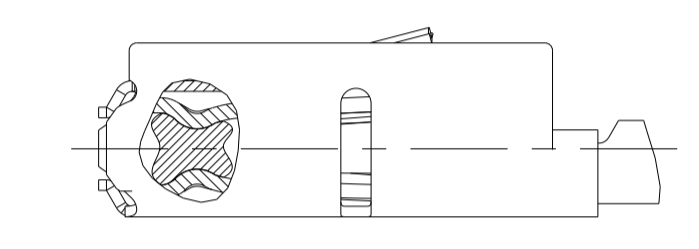


LOC	DIST	REVISIONS			
A1	-	REV	DATE	BY	APPV
C23		Definition of measurement point f. contact height	30APR2019	FRAN	BERG
C24		See PCN E-19-011079	09DEC2019	MAH.	BERG
C25		See PCN E-20-001102	28AUG2020	MAH.	BERG
C26		See PCN E-20-016678 and PCN-21-110979	20AUG2021	FRAN	BERG

versilberte/vergoldete Ausfuehrung SILVER/GOLD VERSION

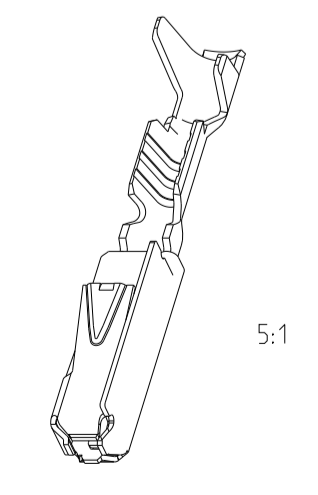
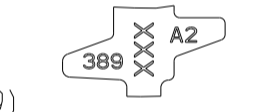


GEL VERSION



- Bemerkungen**
- Datumscode (Woche/Jahr z.B. KW 38/Jahr2009) und TE-Revision (z.B. Rev.A) DATE CODE (WEEK/YEAR E.G. WEEK NUMBER 38/YEAR2009) AND TE REVISION (E.G. REV. A)
 - Passend zu Stiftkontakt siehe Zeichnung 929453 SUITABLE FOR PIN CONTACT SEE DRAWING 929453
 - Einzelheiten der Ausfuehrung bleiben dem Hersteller ueberlassen DETAILS OF DESIGN ARE LEFT TO MANUFACTURER
 - Nur fuer FLR-Leitung nach DIN 72551 Teil 6 FOR FLR-CONDUCTOR ACCORDING TO DIN 72551-6 ONLY
 -
 - nicht fuer Neuanwendung NOT FOR NEW APPLICATION
 - zugverstaerkte Leitung nach LV 112-4 REINFORCED WIRE ACCORDING LV 112-4
 - Bei doppelt fallenden Werkzeugen wird die erste Ueberfeder mit einer Kennzeichnung "-" versehen WITH DOUBLE OUT DIES THE FIRST SPRING WILL BE PROVIDED WITH AN INDICATION "-"
 - Varianten von Design1 werden durch die entsprechenden Versionen von Design2 ersetzt VARIANTS OF DESIGN1 ARE SUPERSEDED BY CORRESPONDING VERSIONS OF DESIGN2

Bestell-Nr. Ausfuehrung ORDER NO. DESIGN 2	Bestell-Nr. Ausfuehrung ORDER NO. DESIGN 3	Rev.	Bestell-Nr. Ausfuehrung ORDER NO. DESIGN 1	Rev.	VERSION	DGB Wire Size Range mm ²	Oberflaeche SURFACE	Laenge LENGTH mm	Drahtcrimp WIRE CRIMP mm	Iso-crimp INSU-CRIMP mm	Gewicht WEIGHT g	Vergaehrung Spez. APPLICATION SPEC.	DGB Wire Size Range mm ²	Isolations Ø INSULATING DIA. mm	fuer Kammer Ø3.45 FOR CAVITY DIA. 3.45 mm	Blindstopfen RUBBER PLUG	fuer Kammer Ø4 FOR CAVITY DIA. 4 mm	Blindstopfen RUBBER PLUG	zugehoerige Einzeldichtung / SUITABLE SINGLE WIRE SEAL		
6-965906-5		E	1-965906-5	D	Einzeldichtungssystem SINGLE WIRE SEAL SYSTEM	0.50-0.75	Au-Gel	A = 2.8 B = 4.2 C = 6.2 D = 14.3 M = 0.7	E = 2 G = 2.1 D _{Dr} = 1	H = 3.5 K = 3.4 L = 1.5 D _{ISO} = 2.4	0.13	114-18025	0.75	1.4-1.9	967067-1	967056-1 blau / BLUE	963142-1	967056-1 blau / BLUE			
5-965906-6		D	965906-6	C			Ag	A = 2.5 B = 3.9 C = 5.9 D = 14 M = 0.7	E = 1.8 G = 1.8 D _{Dr} = 0.8	H = 3.5 K = 3.4 L = 1.5 D _{ISO} = 2.4					0.35		0.9-1.4			967067-2	963142-2
5-965906-5		E	965906-5	D			Au	A = 2.5 B = 4.3 C = 6.2 D = 14.2 M = 0.6 (C26)	E = 1.5 G = 1.4	H = 4 K = 3.9 N = 3.1 D _{ISO} = 2.6					0.13		0.85-1.25			967067-2	963142-2
5-965906-1		D	965906-1	C			Sn								0.17					gelb YELLOW	grau GREY
5-962885-6		J	962885-6	H	normale Anwendung USUAL APPLICATION	0.25-0.35	Au-Gel	A = 2.5 B = 3.6 C = 5.6 D = 13.7 M = 0.2	E = 2 G = 2.1 D _{Dr} = 1	H = 2.7 K = 2.9 L = 0.7 D _{ISO} = 1.6	0.11	114-18021									
5-962885-5		K	962885-5	J			Ag	A = 2.5 B = 3.6 C = 5.6 D = 13.7 M = 0.2	E = 1.8 G = 1.8 D _{Dr} = 0.8	H = 2.3 K = 2.3 L = 0.6 D _{ISO} = 1.4										0.11	
5-962885-1		J	962885-1	H			Au	A = 2.5 B = 3.7 C = 5.4 D = 13.7 M = 0	E = 1.5 G = 1.5 D _{Dr} = 0.65	H = 2 K = 2 D _{ISO} = 1.1										0.1	
2141826-6		A					Sn													0.1	
2141826-5		A			Ag				0.1												
2141826-1		A			Sn				0.1												
6-963715-5		K	1-963715-5	J	normale Anwendung USUAL APPLICATION	0.50-0.75	Au-Gel	A = 2.8 B = 3.8 C = 5.6 D = 13.7 M = 0.2	E = 2 G = 2.1 D _{Dr} = 1	H = 2.7 K = 2.9 L = 0.7 D _{ISO} = 1.6	0.11	114-18021									
5-963715-6		J	963715-6	H			Ag	A = 2.5 B = 3.6 C = 5.6 D = 13.7 M = 0.2	E = 1.8 G = 1.8 D _{Dr} = 0.8	H = 2.3 K = 2.3 L = 0.6 D _{ISO} = 1.4										0.11	
5-963715-5		K	963715-5	J			Au	A = 2.5 B = 3.7 C = 5.4 D = 13.7 M = 0	E = 1.5 G = 1.5 D _{Dr} = 0.65	H = 2 K = 2 D _{ISO} = 1.1										0.1	
5-963715-1		J	963715-1	H			Sn													0.1	
6-928999-5		T	1-928999-5	S	normale Anwendung USUAL APPLICATION	0.25-0.35	Au-Gel	A = 2.5 B = 3.6 C = 5.6 D = 13.7 M = 0.2	E = 2 G = 2.1 D _{Dr} = 1	H = 2.7 K = 2.9 L = 0.7 D _{ISO} = 1.6	0.11	114-18021									
5-928999-6		S	928999-6	R			Ag	A = 2.5 B = 3.6 C = 5.6 D = 13.7 M = 0.2	E = 1.8 G = 1.8 D _{Dr} = 0.8	H = 2.3 K = 2.3 L = 0.6 D _{ISO} = 1.4										0.11	
5-928999-5		T	928999-5	S			Au	A = 2.5 B = 3.7 C = 5.4 D = 13.7 M = 0	E = 1.5 G = 1.5 D _{Dr} = 0.65	H = 2 K = 2 D _{ISO} = 1.1										0.1	
5-928999-1		S	928999-1	R			Sn													0.1	
2141824-6		A			Ag				0.1												
2141824-5		A			Au				0.1												
2141824-1		A			Sn				0.1												
1355717-6		A			Ag				0.1												
1355717-5		C			Au				0.1												
1355717-1		C			Sn				0.1												



THIS DRAWING IS A CONTROLLED DOCUMENT.		OWN S. Garcia 05JAN1999	MTE Connectivity MQS Tabellenzeichnung Buchsenkontakt TABLE SOCKET CONTACT	
DIMENSIONS: mm		CHK R. Jetter 05JAN1999		
TOLERANCES UNLESS OTHERWISE SPECIFIED:		APVD M. Bleicher 13AUG2003	NAME	
1-PLC ±0.2 2-PLC ±0.2 3-PLC ±0.2 4-PLC ±0.2 ANGLES FINISH		114-18030 APPLICATION SPEC	SIZE 108-18030	
MATERIAL: -		114-18021 / 114-18025	RESTRICTED TO	
		WEIGHT: -	CUSTOMER DRAWING	
		SCALE 10:1	SHEET 1 of 1	
			REV C26	

X-ON Electronics

Largest Supplier of Electrical and Electronic Components

Click to view similar products for [Automotive Connectors](#) category:

Click to view products by [TE Connectivity](#) manufacturer:

Other Similar products are found below :

[003-018-000](#) [60403001](#) [60993906-B](#) [M902-2131](#) [M902-2161](#) [M902-2344](#) [72.330.1035.1](#) [73.353.4028.0](#) [F119300-B](#) [F166900](#) [F258300-B](#)
[F358300-B](#) [F407400](#) [F444110](#) [F487000](#) [F509500B-B](#) [827153-1](#) [8N1515-32-24P](#) [9-1326729-8](#) [925474-1](#) [928905-1](#) [964562-4](#) [968782-1](#)
[GT17SA-8DS-HU](#) [98891-1012](#) [98947-1016](#) [12004147](#) [12004475-L](#) [12010290](#) [12010309-B](#) [12015454](#) [12020219-B](#) [12041318-B](#) [12052225-](#)
[L](#) [12052466](#) [12064869](#) [12004327-B](#) [12015308](#) [12015384](#) [12015909](#) [1-21030-1](#) [12041254](#) [12041318](#) [12047946-B](#) [12047957](#) [12047957-L](#)
[12059473](#) [12066261](#) [12110546](#) [12110546-B](#)