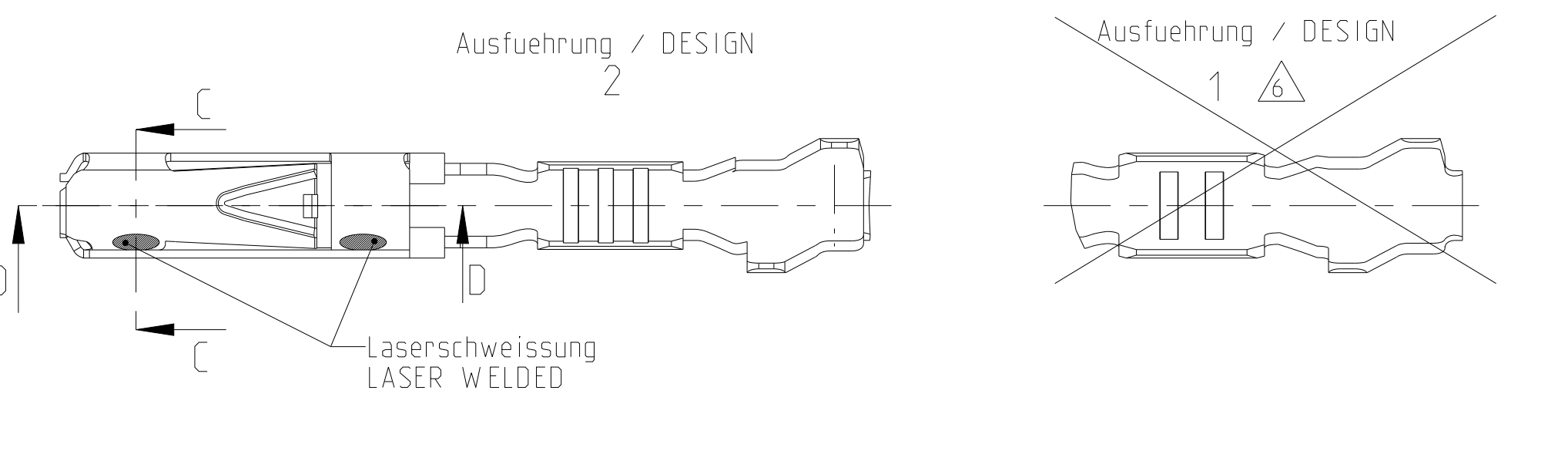
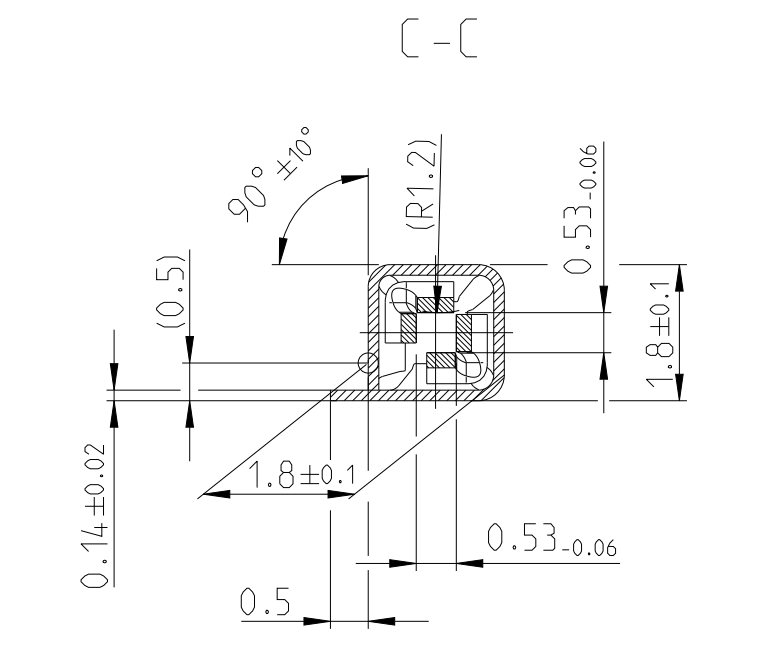
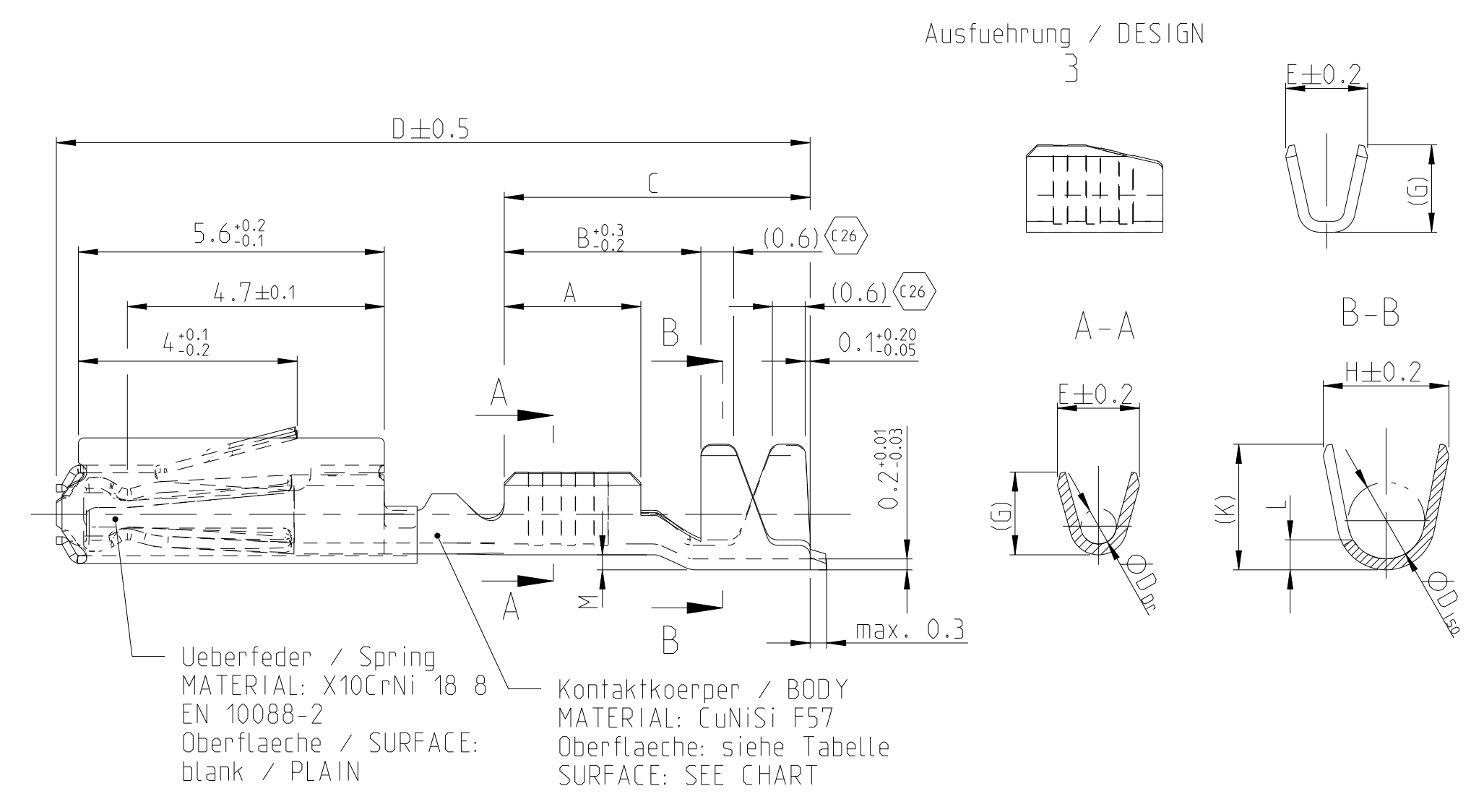
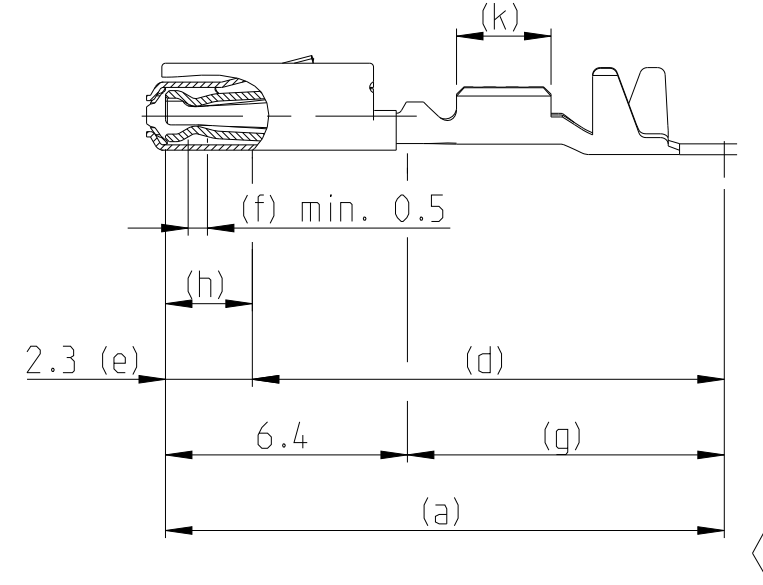


Normale Anwendung USUAL APPLICATION



Oberflaeche / FINISH

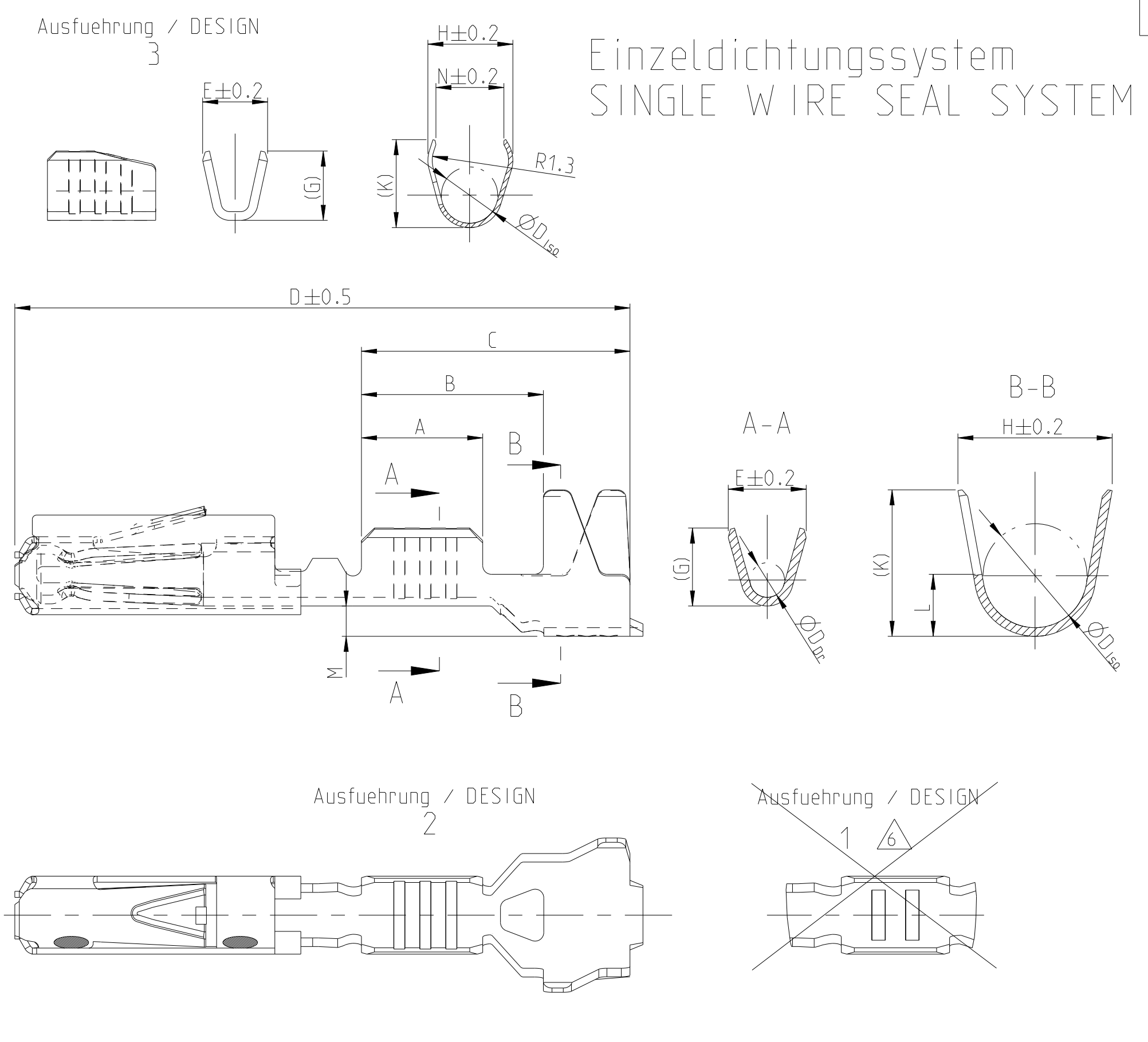


Sn: verzinnete Ausfuehrung TINNED
 (a) Kontaktkoerper: 0.8 - 2 µm Sn
 BODY: 0.8 - 2 µm Sn

Ag: versilbert SILVER
 (e) min. 0.3 µm Ag
 (f) min. 2.8 µm Ag INSIDE
 min. 2.8 µm Ag innen
 (g) min. 0.2 µm Sn
 (k) min. 0.8 - 2 µm Sn

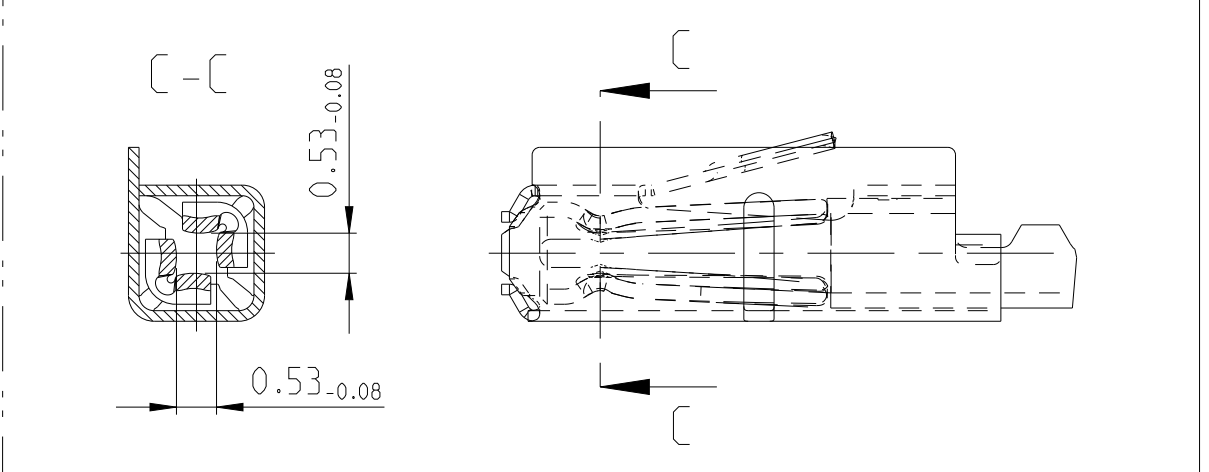
Au (galvanisch): galvanisch vergoldet GOLD-ELECTROPLATED
 (d) 0.05-1 µm Ni, beidseitig
 0.05-1 µm Ni, ON BOTH SIDES
 (e) 1-3 µm Ni, beidseitig
 1-3 µm Ni, ON BOTH SIDES
 (f) min. 1.8 µm Au ueber (e), innen
 MIN. 1.8 µm Au OVER (e), INSIDE
 (g) min. 0.2 µm Sn ueber (d), beidseitig
 MIN. 0.2 µm Sn OVER (d), ON BOTH SIDES
 (h) Au galvanisch aufaufend
 Au OVERPLATING
 (k) min. 0.8 - 2.0 µm Sn

Ausfuehrung / DESIGN 3 Einzeldichtungssystem SINGLE WIRE SEAL SYSTEM

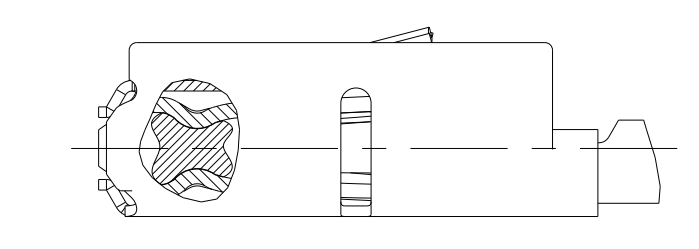


| LOC | DIST | REVISIONS | | | |
|-----|------|-----------|-----------|------|------|
| A1 | - | NO. | DATE | BY | APPV |
| | | C23 | 30APR2019 | FRAN | BERG |
| | | C24 | 09DEC2019 | MAH. | BERG |
| | | C25 | 28AUG2020 | MAH. | BERG |
| | | C26 | 20AUG2021 | FRAN | BERG |

versilberte/vergoldete Ausfuehrung SILVER/GOLD VERSION

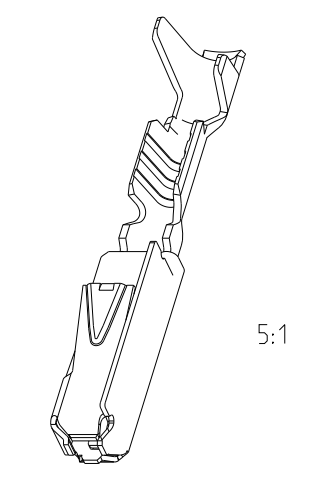
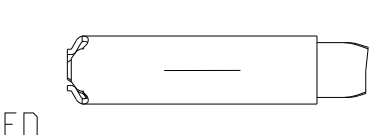
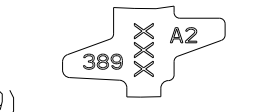


GEL VERSION



- Bemerkungen**
- Datumscode (Woche/Jahr z.B. KW 38/Jahr2009) und TE-Revision (z.B. Rev.A) DATE CODE (WEEK/YEAR E.G. WEEK NUMBER 38/YEAR2009) AND TE REVISION (E.G. REV. A)
 - Passend zu Stiftkontakt siehe Zeichnung 929453 SUITABLE FOR PIN CONTACT SEE DRAWING 929453
 - Einzelheiten der Ausfuehrung bleiben dem Hersteller ueberlassen DETAILS OF DESIGN ARE LEFT TO MANUFACTURER
 - Nur fuer FLR-Leitung nach DIN 72551 Teil 6 FOR FLR-CONDUCTOR ACCORDING TO DIN 72551-6 ONLY
 -
 - nicht fuer Neuanwendung NOT FOR NEW APPLICATION
 - zugverstaerkte Leitung nach LV 112-4 REINFORCED WIRE ACCORDING LV 112-4
 - Bei doppelt fallenden Werkzeugen wird die erste Ueberfeder mit einer Kennzeichnung "-" versehen WITH DOUBLE OUT DIES THE FIRST SPRING WILL BE PROVIDED WITH AN INDICATION "-"
 - Varianten von Design1 werden durch die entsprechenden Versionen von Design2 ersetzt VARIANTS OF DESIGN1 ARE SUPERSEDED BY CORRESPONDING VERSIONS OF DESIGN2

| Bestell-Nr. Ausfuehrung ORDER NO. DESIGN | Bestell-Nr. Ausfuehrung ORDER NO. DESIGN | Rev. | Bestell-Nr. Ausfuehrung ORDER NO. DESIGN | Rev. | VERSION | DGB Wire Size Range mm ² | Oberflaeche SURFACE | Laenge LENGTH mm | Drahtcrimp WIRE CRIMP mm | Iso-crimp INSU-CRIMP mm | Gewicht WEIGHT g | Vergaehrung Spez. APPLICATION SPEC. | DGB Wire Size Range mm ² | Isolations Ø INSULATING DIA. mm | fuer Kammer Ø3.45 FOR CAVITY DIA. 3.45 mm | Blindstopfen RUBBER PLUG | fuer Kammer Ø4 FOR CAVITY DIA. 4 mm | Blindstopfen RUBBER PLUG | zugehoerige Einzeldichtung / SUITABLE SINGLE WIRE SEAL |
|--|--|------|--|------|---|-------------------------------------|---------------------|--|--|---|------------------|-------------------------------------|-------------------------------------|---------------------------------|---|--------------------------|-------------------------------------|--------------------------|--|
| 6-965906-5 | 5-965906-6 | E | 1-965906-5 | D | Einzeldichtungssystem SINGLE WIRE SEAL SYSTEM | 0.50-0.75 | Au-Gel | A = 2.8 B = 4.2 C = 6.2 D = 14.3 M = 0.7 | E = 2 G = 2.1 D _{Dr} = 1 | H = 3.5 K = 3.4 L = 1.5 D ₁₅₀ = 2.4 | 0.13 | 114-18025 | 0.75 | 1.4-1.9 | 967067-1 | 963142-1 | gruen GREEN | schwarz BLACK | |
| 5-965906-6 | 5-965906-5 | D | 965906-6 | C | | 0.25-0.35 | Ag | A = 2.5 B = 3.9 C = 5.9 D = 14 M = 0.7 | E = 1.8 G = 1.8 D _{Dr} = 0.8 | H = 3.5 K = 3.4 L = 1.5 D ₁₅₀ = 2.4 | 0.13 | | 0.35 | 0.9-1.4 | 967067-2 | 963142-2 | gelb YELLOW | grau GREY | blau / BLUE |
| 5-965906-1 | 5-962885-6 | E | 965906-5 | D | | 0.13 / 0.17 | Au | A = 2.5 B = 4.3 C = 6.2 D = 14.2 M = 0.6 (C26) | E = 1.5 G = 1.4 | H = 4 K = 3.9 L = 3.1 D ₁₅₀ = 2.6 | 0.1 | | 0.13 | 0.85-1.25 | 967067-2 | 963142-2 | gelb YELLOW | grau GREY | blau / BLUE |
| 5-965906-1 | 5-962885-5 | D | 965906-1 | C | | | Sn | | | | | | | | | | | | |
| 5-962885-1 | 5-962885-1 | J | 962885-1 | H | normale Anwendung USUAL APPLICATION | 0.50-0.75 | Au-Gel | A = 2.8 B = 3.8 C = 5.6 D = 13.7 M = 0.2 | E = 2 G = 2.1 D _{Dr} = 1 | H = 2.7 K = 2.9 L = 0.7 D ₁₅₀ = 1.6 | 0.11 | 114-18021 | | | | | | | |
| 5-962885-6 | 5-962885-5 | K | 962885-6 | J | | 0.25-0.35 | Ag | A = 2.5 B = 3.6 C = 5.4 D = 13.7 M = 0.2 | E = 1.8 G = 1.8 D _{Dr} = 0.8 | H = 2.3 K = 2.3 L = 0.6 D ₁₅₀ = 1.4 | 0.11 | | | | | | | | |
| 5-962885-1 | 2141826-6 | J | 962885-1 | H | | 0.13 / 0.17 | Au | A = 2.5 B = 3.7 C = 5.4 D = 13.7 M = 0 | E = 1.5 G = 1.4 | H = 2 K = 1.9 D ₁₅₀ = 1.1 | 0.1 | | | | | | | | |
| 5-962885-1 | 2141826-5 | J | 962885-1 | H | | | Sn | | | | | | | | | | | | |
| 2141826-6 | 2141826-5 | A | | | | 0.08-0.22 | Ag | | E = 1.5 G = 1.5 D _{Dr} = 0.65 | H = 2 K = 2 D ₁₅₀ = 1.1 | 0.1 | | | | | | | | |
| 2141826-1 | 2141824-1 | A | | | | | Sn | | | | | | | | | | | | |
| 1355717-6 | 1355717-5 | A | | | | | Ag | | | | | | | | | | | | |
| 1355717-1 | 1355717-1 | C | | | | | Au | | | | | | | | | | | | |
| 1355717-1 | 1355717-1 | C | | | | | Sn | | | | | | | | | | | | |



| | | | | |
|---|--|----------------------------|---|---------------|
| THIS DRAWING IS A CONTROLLED DOCUMENT. | | OWN S. Garcia 05JAN1999 | TE Connectivity | |
| DIMENSIONS: mm | | CHK M. Bleicher 05JAN1999 | | |
| TOLERANCES UNLESS OTHERWISE SPECIFIED: | | APVD R. Jetter 13AUG2003 | NAME MQS | |
| 1-PLC ±0.2 2-PLC ±0.2 3-PLC ±0.2 4-PLC ±0.2 ANGLES FINISH | | APPLICATION SPEC 108-18030 | Tabellenzeichnung Buchsenkontakt TABLE SOCKET CONTACT | |
| MATERIAL: - | | WEIGHT: - | SIZE 114-18021 / 114-18025 | RESTRICTED TO |
| | | CUSTOMER DRAWING | SCALE 10:1 | SHEET 1 of 1 |
| | | | REV C26 | |

X-ON Electronics

Largest Supplier of Electrical and Electronic Components

Click to view similar products for [Terminals category](#):

Click to view products by [TE Connectivity manufacturer](#):

Other Similar products are found below :

[00-054007-01074-6](#) [00-054007-70206-1](#) [00-054007-70210-8](#) [00-054007-70217-7](#) [00-054007-70228-3](#) [00-054007-70256-6](#) [00-054007-70316-7](#) [00-054007-49560-4](#) [00-054007-70209-2](#) [00-054007-70231-3](#) [00-054007-70241-2](#) [00-054007-70242-9](#) [00-054007-70246-7](#) [00-054007-70263-4](#) [00-054007-70288-7](#) [00-054007-70290-0](#) [00-054007-70300-6](#) [00-054007-70304-4](#) [01-2900-1-04412](#) [00581P0075](#) [600TS-10](#) [605601-1](#) [60598-1-CUT-TAPE](#) [60617-1-C](#) [61314-6-C](#) [61810-3](#) [62149-1](#) [626-0194](#) [63-S](#) [M55155/059I03](#) [M55155/079C01](#) [M55155/099B03](#) [M55155/099H02](#) [M55155/109H01](#) [M55155/12XH05](#) [M55155/29-5S](#) [M55155/29XJ08](#) [M55155/30-6S](#) [M55155/30-9S](#) [M55155/30XI09](#) [M6-14RSX](#) [696683-1](#) [696861-1](#) [696999-1](#) [M86700006](#) [D18-110B-C](#) [D18-110B-M](#) [701-1936](#) [701-1955](#) [701-2003](#)