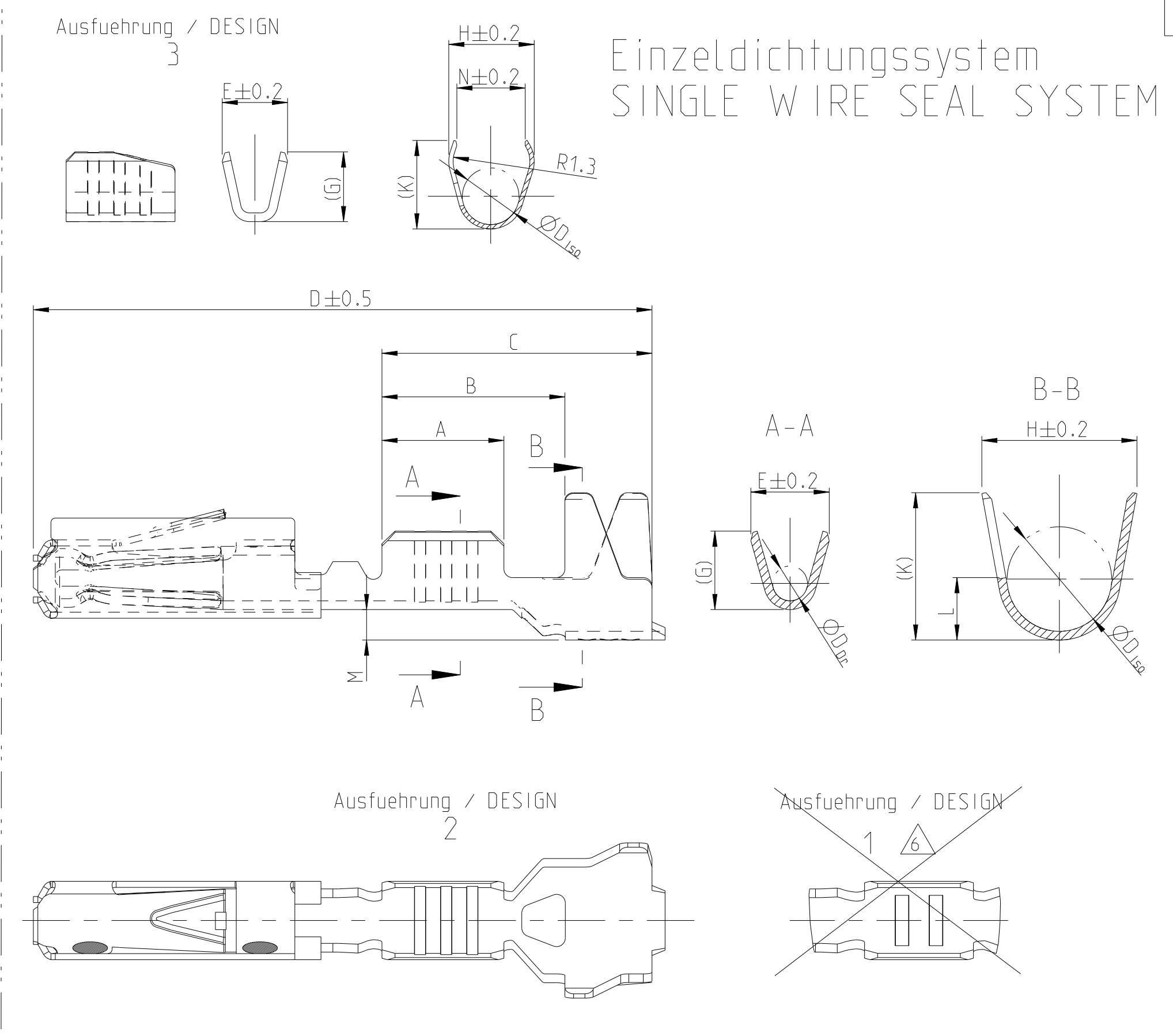
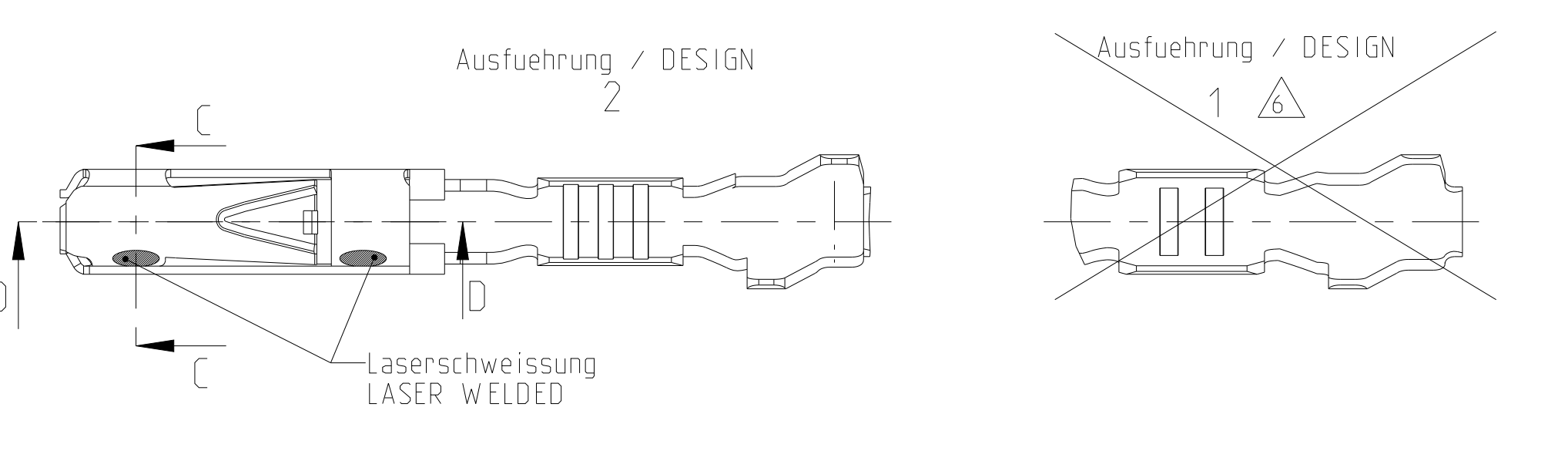
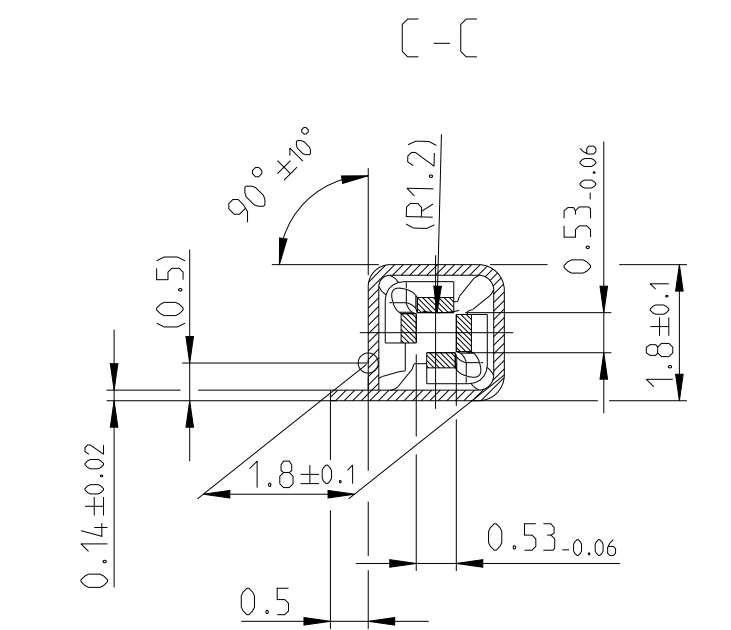
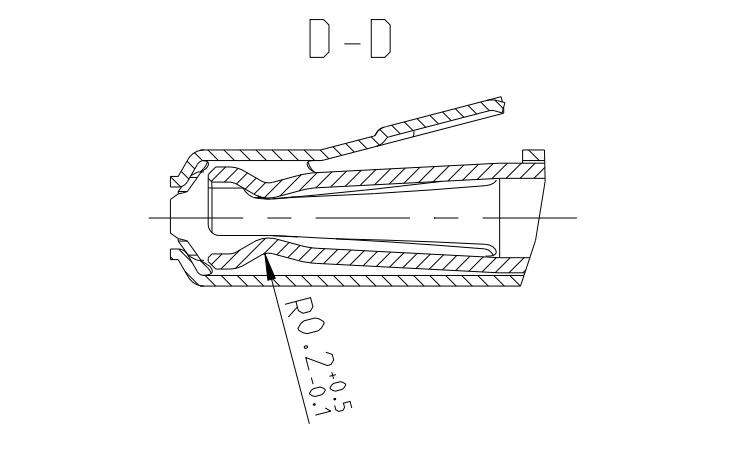
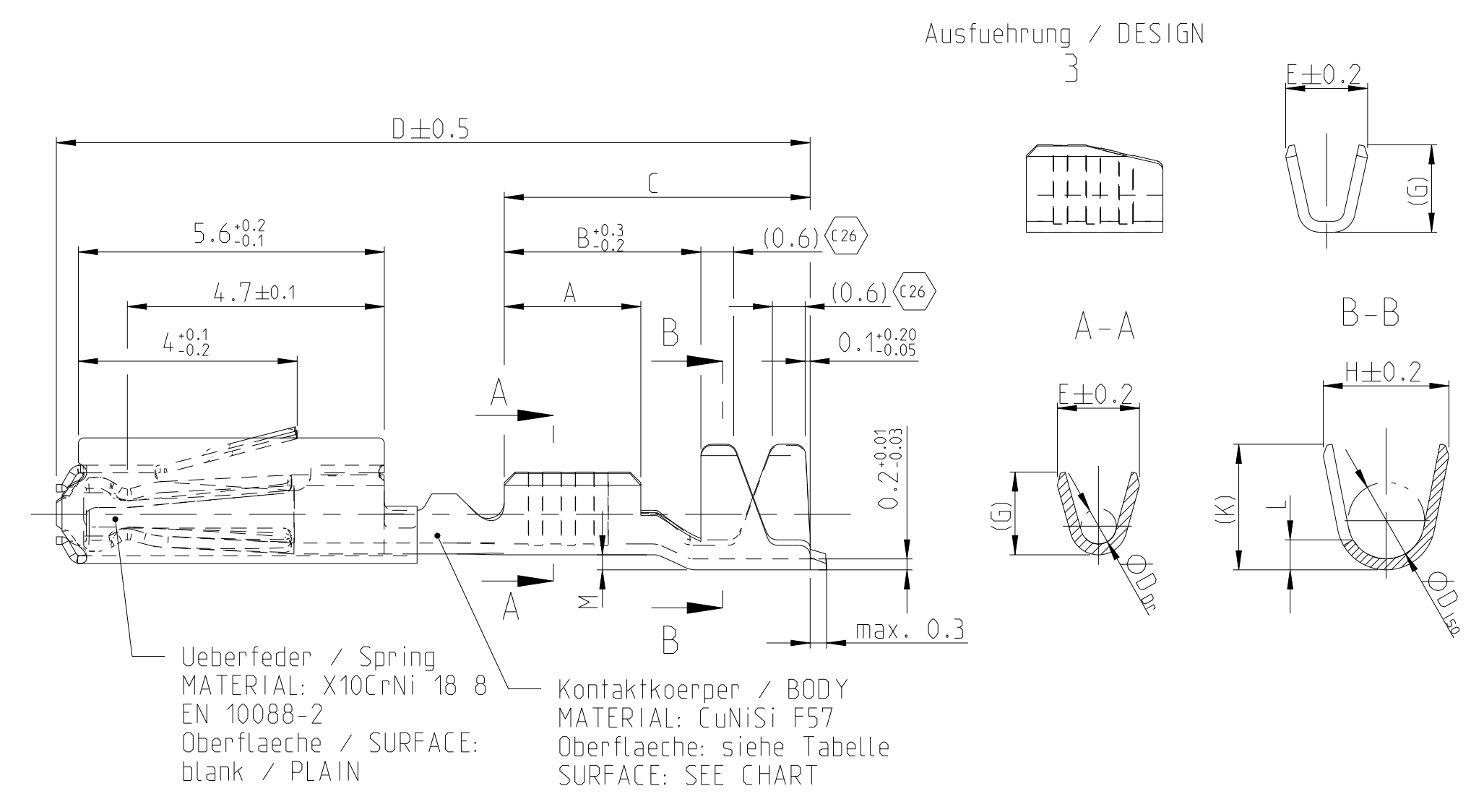
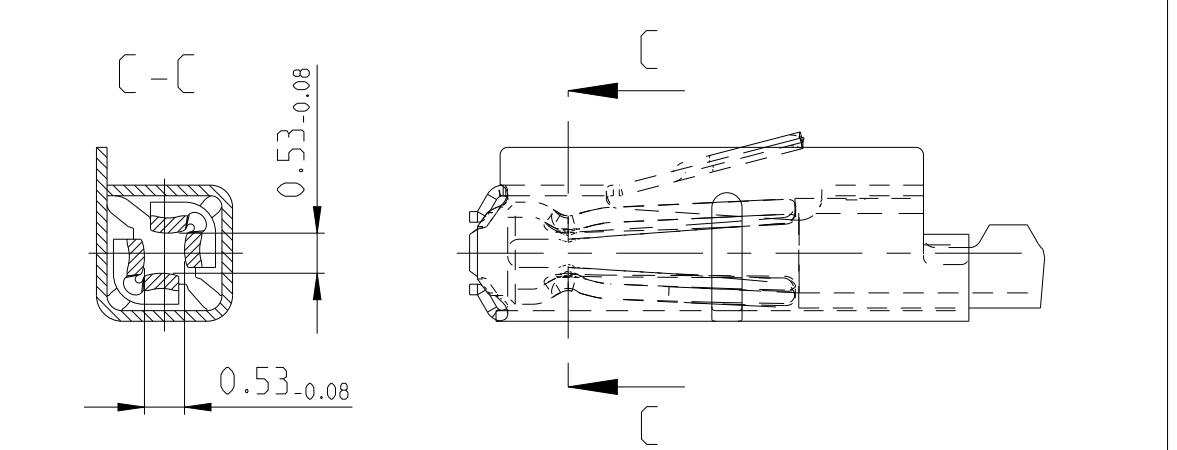


Normale Anwendung USUAL APPLICATION

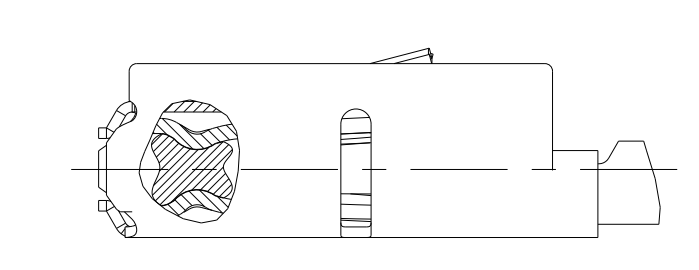


LOC	DIST	REV	DATE	BY	APPV
A1	-	-	-	-	-

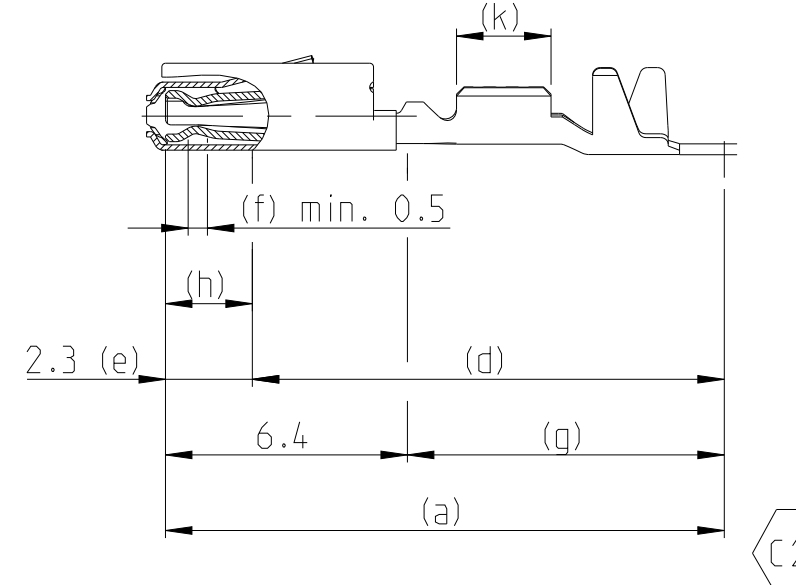
versilberte/vergoldete Ausfuehrung SILVER/GOLD VERSION



GEL VERSION



Oberflaeche / FINISH

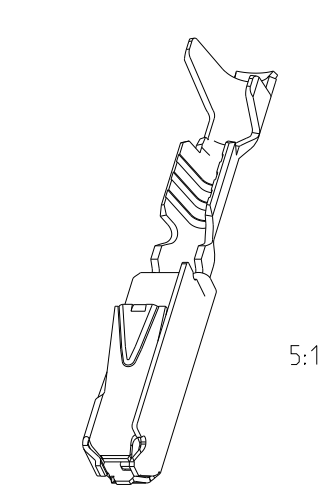
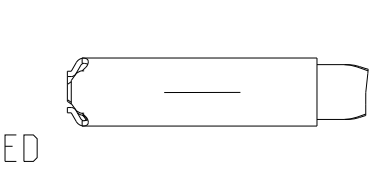
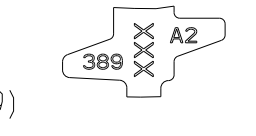


- Sn: verzinnete Ausfuehrung
TINNED
(a) Kontaktkoerper: 0.8 - 2 µm Sn
BODY: 0.8 - 2 µm Sn
- Ag: versilbert
SILVER
(e) min. 0.3 µm Ag
(f) min. 2.8 µm Ag INSIDE
min. 2.8 µm Ag innen
(g) min. 0.2 µm Sn
(k) min. 0.8 - 2 µm Sn
- Au (galvanisch): galvanisch vergoldet
GOLD-ELECTROPLATED
(d) 0.05-1 µm Ni, beidseitig
0.05-1 µm Ni, ON BOTH SIDES
(e) 1-3 µm Ni, beidseitig
1-3 µm Ni, ON BOTH SIDES
(f) min. 1.8 µm Au ueber (e), innen
MIN. 1.8 µm Au OVER (e), INSIDE
(g) min. 0.2 µm Sn ueber (d), beidseitig
MIN. 0.2 µm Sn OVER (d), ON BOTH SIDES
(h) Au galvanisch aufaufend
Au OVERPLATING
(k) min. 0.8 - 2.0 µm Sn

Bemerkungen

- Datumscode (Woche/Jahr z.B. KW 38/Jahr2009) und TE-Revision (z.B. Rev.A) DATE CODE (WEEK/YEAR E.G. WEEK NUMBER 38/YEAR2009) AND TE REVISION (E.G. REV. A)
- Passend zu Stiftkontakt siehe Zeichnung 929453 SUITABLE FOR PIN CONTACT SEE DRAWING 929453
- Einzelheiten der Ausfuehrung bleiben dem Hersteller ueberlassen DETAILS OF DESIGN ARE LEFT TO MANUFACTURER
- Nur fuer FLR-Leitung nach DIN 72551 Teil 6 FOR FLR-CONDUCTOR ACCORDING TO DIN 72551-6 ONLY
-
- nicht fuer Neuanwendung NOT FOR NEW APPLICATION
- zugverstaerkte Leitung nach LV 112-4 REINFORCED WIRE ACCORDING LV 112-4
- Bei doppelt fallenden Werkzeugen wird die erste Ueberfeder mit einer Kennzeichnung "-" versehen WITH DOUBLE OUT DIES THE FIRST SPRING WILL BE PROVIDED WITH AN INDICATION "-"
- Varianten von Design1 werden durch die entsprechenden Versionen von Design2 ersetzt VARIANTS OF DESIGN1 ARE SUPERSEDED BY CORRESPONDING VERSIONS OF DESIGN2

Bestell-Nr. Ausfuehrung ORDER NO. DESIGN	Bestell-Nr. Ausfuehrung ORDER NO. DESIGN	Rev.	Bestell-Nr. Ausfuehrung ORDER NO. DESIGN	Rev.	VERSION	DGB Wire Size Range mm ²	Oberflaeche SURFACE	Laenge LENGTH mm	Drahtcrimp WIRE CRIMP mm	Iso-crimp INSU-CRIMP mm	Gewicht WEIGHT g	Vergaeltung Spez. APPLICATION SPEC.	DGB Wire Size Range mm ²	Isolations Ø INSULATIN DIA. mm	fuer Kammer Ø3.45 FOR CAVITY DIA. 3.45 mm	Blindstopfen RUBBER PLUG	fuer Kammer Ø4 FOR CAVITY DIA. 4 mm	Blindstopfen RUBBER PLUG	zugehoerige Einzeldichtung / SUITABLE SINGLE WIRE SEAL		
6-965906-5	5-965906-6	E	1-965906-5	D	Einzeldichtungssystem SINGLE WIRE SEAL SYSTEM	0.50-0.75	Au-Gel	A = 2.8 B = 4.2 C = 6.2 D = 14.3 M = 0.7	E = 2 G = 2.1 D _{Dr} = 1	H = 3.5 K = 3.4 L = 1.5 D _{ISO} = 2.4	0.13	114-18025	0.75	1.4-1.9	967067-1	967056-1 blau / BLUE	963142-1	967056-1 blau / BLUE	-		
5-965906-6	5-965906-5	D	965906-6	C			Au	A = 2.5 B = 3.9 C = 5.9 D = 14 M = 0.7	E = 1.8 G = 1.8 D _{Dr} = 0.8	H = 3.5 K = 3.4 L = 1.5 D _{ISO} = 2.4					0.35		0.9-1.4			967067-2	963142-2
5-965906-5	5-965906-1	E	965906-5	D			Sn	A = 2.5 B = 4.3 C = 6.2 D = 14.2 M = 0.6 (C26)	E = 1.5 G = 1.4	H = 4 K = 3.9 L = 3.1 D _{ISO} = 2.6					0.2		0.85-1.25			967067-2	963142-2
5-965906-1	5-962885-6	D	965906-1	C			Ag	A = 2.5 B = 3.6 C = 5.6 D = 13.7 M = 0.2	E = 2 G = 2.1 D _{Dr} = 1	H = 2.7 K = 2.9 L = 0.7 D _{ISO} = 1.6					0.13		0.17			gelb YELLOW	963142-2
5-962885-6	5-962885-5	J	962885-6	H	normale Anwendung USUAL APPLICATION	0.13 / 0.17	Au-Gel	A = 2.5 B = 3.6 C = 5.6 D = 13.7 M = 0.2	E = 1.8 G = 1.8 D _{Dr} = 0.8	H = 2.3 K = 2.3 L = 0.6 D _{ISO} = 1.4	0.11	114-18021	-	-	967067-2	-	963142-2	-	-		
5-962885-5	5-962885-1	K	962885-5	J			Au	A = 2.5 B = 3.7 C = 5.4 D = 13.7 M = 0	E = 1.5 G = 1.4	H = 2 K = 1.9 D _{ISO} = 1.1					0.13		0.85-1.25			gelb YELLOW	963142-2
5-962885-1	6-963715-5	J	962885-1	H			Sn	A = 2.5 B = 3.6 C = 5.6 D = 13.7 M = 0.2	E = 1.5 G = 1.5 D _{Dr} = 0.65	H = 2 K = 2 D _{ISO} = 1.1					0.17		0.17			gelb YELLOW	963142-2
2141826-6	2141826-5	A	962885-1	H			Ag	A = 2.5 B = 3.7 C = 5.4 D = 13.7 M = 0	E = 1.5 G = 1.4	H = 2 K = 1.9 D _{ISO} = 1.1					0.13		0.17			gelb YELLOW	963142-2
2141826-5	2141826-1	A	962885-1	H	Au	A = 2.5 B = 3.7 C = 5.4 D = 13.7 M = 0	E = 1.5 G = 1.4	H = 2 K = 1.9 D _{ISO} = 1.1	0.13	0.17	gelb YELLOW	963142-2									
2141826-1	6-963715-6	A	962885-1	H	Sn	A = 2.5 B = 3.7 C = 5.4 D = 13.7 M = 0	E = 1.5 G = 1.5	H = 2 K = 2 D _{ISO} = 1.1	0.13	0.17	gelb YELLOW	963142-2									
6-963715-5	5-963715-6	K	1-963715-5	J	normale Anwendung USUAL APPLICATION	0.13 / 0.17	Au-Gel	A = 2.5 B = 3.6 C = 5.6 D = 13.7 M = 0.2	E = 1.8 G = 1.8 D _{Dr} = 0.8	H = 2.3 K = 2.3 L = 0.6 D _{ISO} = 1.4	0.11	114-18021	-	-	967067-2	-	963142-2	-	-		
5-963715-6	5-963715-5	J	963715-6	H			Au	A = 2.5 B = 3.6 C = 5.6 D = 13.7 M = 0.2	E = 1.5 G = 1.5	H = 2 K = 2 D _{ISO} = 1.1					0.13		0.17			gelb YELLOW	963142-2
5-963715-5	5-963715-5	K	963715-5	J			Sn	A = 2.5 B = 3.6 C = 5.6 D = 13.7 M = 0.2	E = 1.5 G = 1.5	H = 2 K = 2 D _{ISO} = 1.1					0.13		0.17			gelb YELLOW	963142-2
5-963715-5	6-928999-1	J	963715-1	H			Ag	A = 2.5 B = 3.6 C = 5.6 D = 13.7 M = 0.2	E = 1.5 G = 1.5	H = 2 K = 2 D _{ISO} = 1.1					0.13		0.17			gelb YELLOW	963142-2
6-928999-5	5-928999-6	T	1-928999-5	S	normale Anwendung USUAL APPLICATION	0.08-0.22	Au-Gel	A = 2.5 B = 3.6 C = 5.6 D = 13.7 M = 0.2	E = 1.8 G = 1.8 D _{Dr} = 0.8	H = 2.3 K = 2.3 L = 0.6 D _{ISO} = 1.4	0.11	114-18021	-	-	967067-2	-	963142-2	-	-		
5-928999-6	5-928999-5	S	928999-6	R			Au	A = 2.5 B = 3.6 C = 5.6 D = 13.7 M = 0.2	E = 1.5 G = 1.5	H = 2 K = 2 D _{ISO} = 1.1					0.13		0.17			gelb YELLOW	963142-2
5-928999-5	5-928999-1	T	928999-5	S			Sn	A = 2.5 B = 3.6 C = 5.6 D = 13.7 M = 0.2	E = 1.5 G = 1.5	H = 2 K = 2 D _{ISO} = 1.1					0.13		0.17			gelb YELLOW	963142-2
5-928999-1	2141824-6	S	928999-1	R			Ag	A = 2.5 B = 3.6 C = 5.6 D = 13.7 M = 0.2	E = 1.5 G = 1.5	H = 2 K = 2 D _{ISO} = 1.1					0.13		0.17			gelb YELLOW	963142-2
2141824-6	2141824-5	A	928999-1	R	Au	A = 2.5 B = 3.6 C = 5.6 D = 13.7 M = 0.2	E = 1.5 G = 1.5	H = 2 K = 2 D _{ISO} = 1.1	0.13	0.17	gelb YELLOW	963142-2									
2141824-5	2141824-1	A	928999-1	R	Sn	A = 2.5 B = 3.6 C = 5.6 D = 13.7 M = 0.2	E = 1.5 G = 1.5	H = 2 K = 2 D _{ISO} = 1.1	0.13	0.17	gelb YELLOW	963142-2									
2141824-1	1355717-6	A	928999-1	R	Ag	A = 2.5 B = 3.6 C = 5.6 D = 13.7 M = 0.2	E = 1.5 G = 1.5	H = 2 K = 2 D _{ISO} = 1.1	0.13	0.17	gelb YELLOW	963142-2									
1355717-6	1355717-5	A	928999-1	R	Au	A = 2.5 B = 3.6 C = 5.6 D = 13.7 M = 0.2	E = 1.5 G = 1.5	H = 2 K = 2 D _{ISO} = 1.1	0.13	0.17	gelb YELLOW	963142-2									
1355717-5	1355717-1	C	928999-1	R	Sn	A = 2.5 B = 3.6 C = 5.6 D = 13.7 M = 0.2	E = 1.5 G = 1.5	H = 2 K = 2 D _{ISO} = 1.1	0.13	0.17	gelb YELLOW	963142-2									
1355717-1		C	928999-1	R	Ag	A = 2.5 B = 3.6 C = 5.6 D = 13.7 M = 0.2	E = 1.5 G = 1.5	H = 2 K = 2 D _{ISO} = 1.1	0.13	0.17	gelb YELLOW	963142-2									



THIS DRAWING IS A CONTROLLED DOCUMENT.		OWN S. Garcia 05JAN1999	TE Connectivity	
DIMENSIONS: mm		CHK M. Bleicher 13AUG2003	NAME MQS	
TOLERANCES UNLESS OTHERWISE SPECIFIED: ±0.2		APVD M. Bleicher 13AUG2003	PRODUCT SPEC	
MATERIAL: -		114-18030	APPLICATION SPEC	
FINISH: -		114-18021 / 114-18025	RESTRICTED TO	
CUSTOMER DRAWING		WEIGHT: -	SCALE: 10:1	SHEET: 1 of 1
00779		©=929454	REV: C26	

X-ON Electronics

Largest Supplier of Electrical and Electronic Components

Click to view similar products for [Automotive Connectors](#) category:

Click to view products by [TE Connectivity](#) manufacturer:

Other Similar products are found below :

[003-018-000](#) [60403001](#) [60993906-B](#) [M902-2131](#) [M902-2161](#) [M902-2344](#) [72.330.1035.1](#) [73.353.4028.0](#) [F119300-B](#) [F166900](#) [F258300-B](#)
[F358300-B](#) [F407400](#) [F444110](#) [F487000](#) [F509500B-B](#) [827153-1](#) [8N1515-32-24P](#) [9-1326729-8](#) [925474-1](#) [928905-1](#) [964562-4](#) [968782-1](#)
[GT17SA-8DS-HU](#) [98891-1012](#) [98947-1016](#) [12004147](#) [12004475-L](#) [12010290](#) [12010309-B](#) [12015454](#) [12020219-B](#) [12041318-B](#) [12052225-](#)
[L](#) [12052466](#) [12064869](#) [12004327-B](#) [12015308](#) [12015384](#) [12015909](#) [1-21030-1](#) [12041254](#) [12041318](#) [12047946-B](#) [12047957](#) [12047957-L](#)
[12059473](#) [12066261](#) [12110546](#) [12110546-B](#)