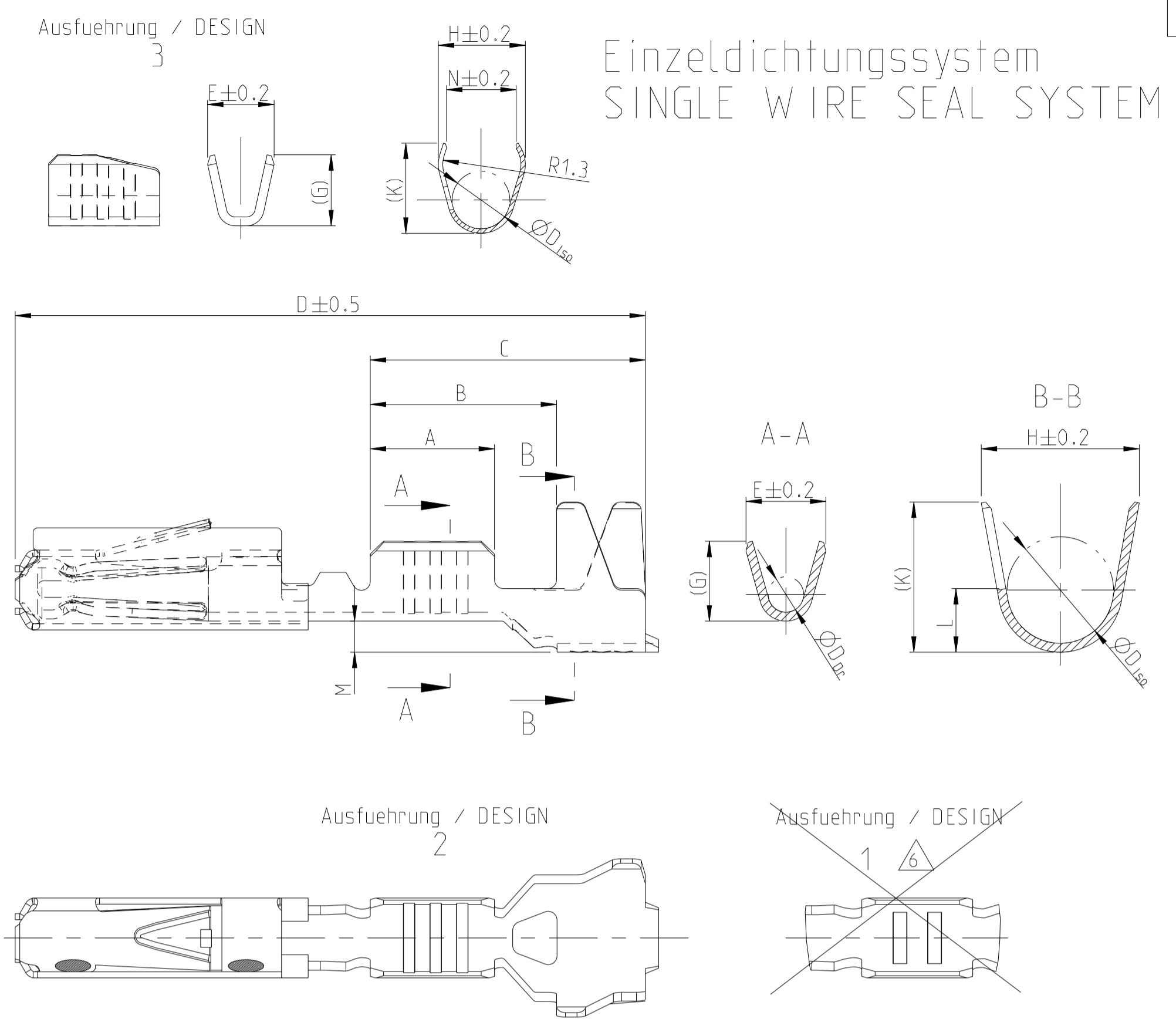
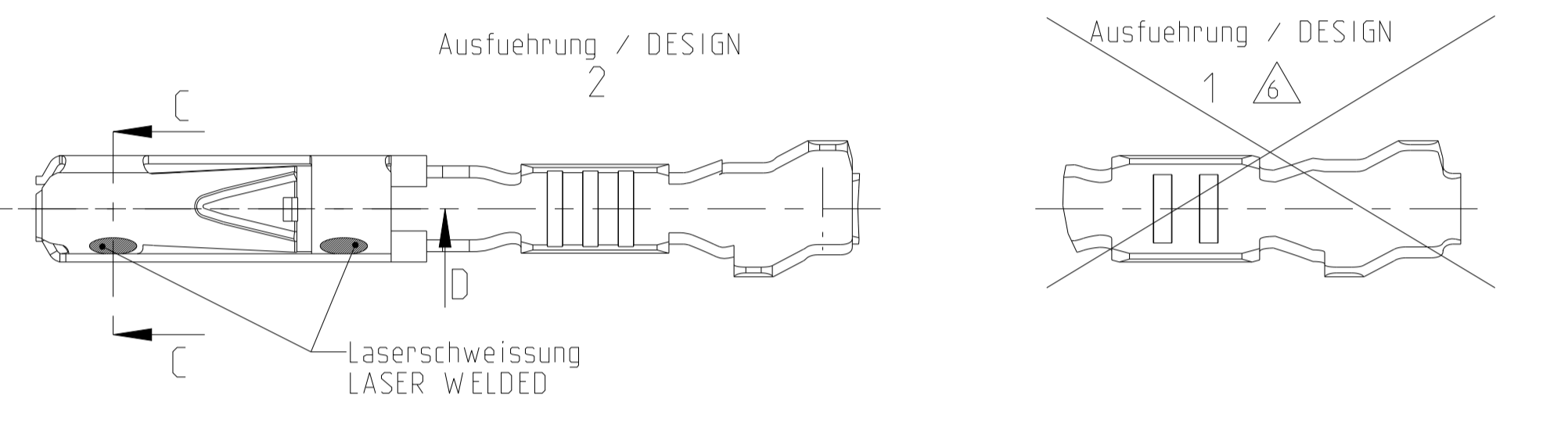
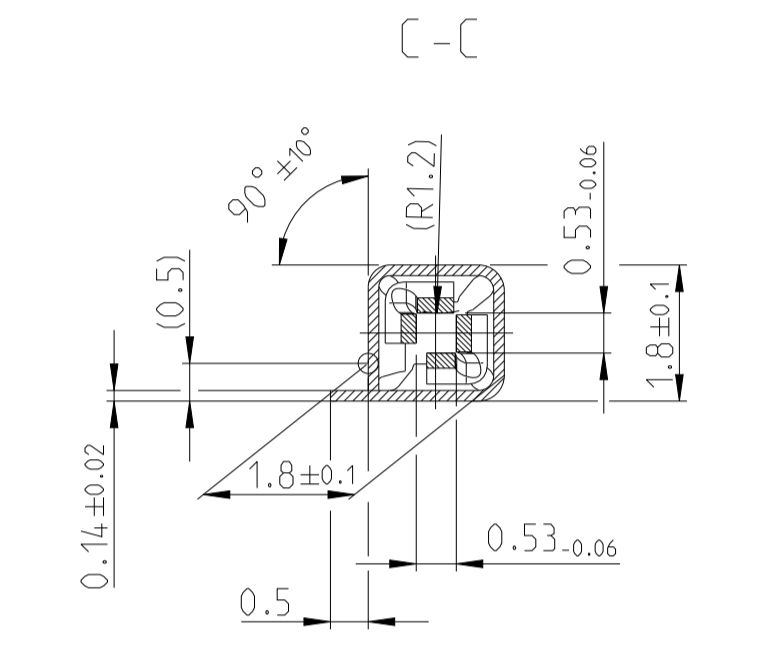
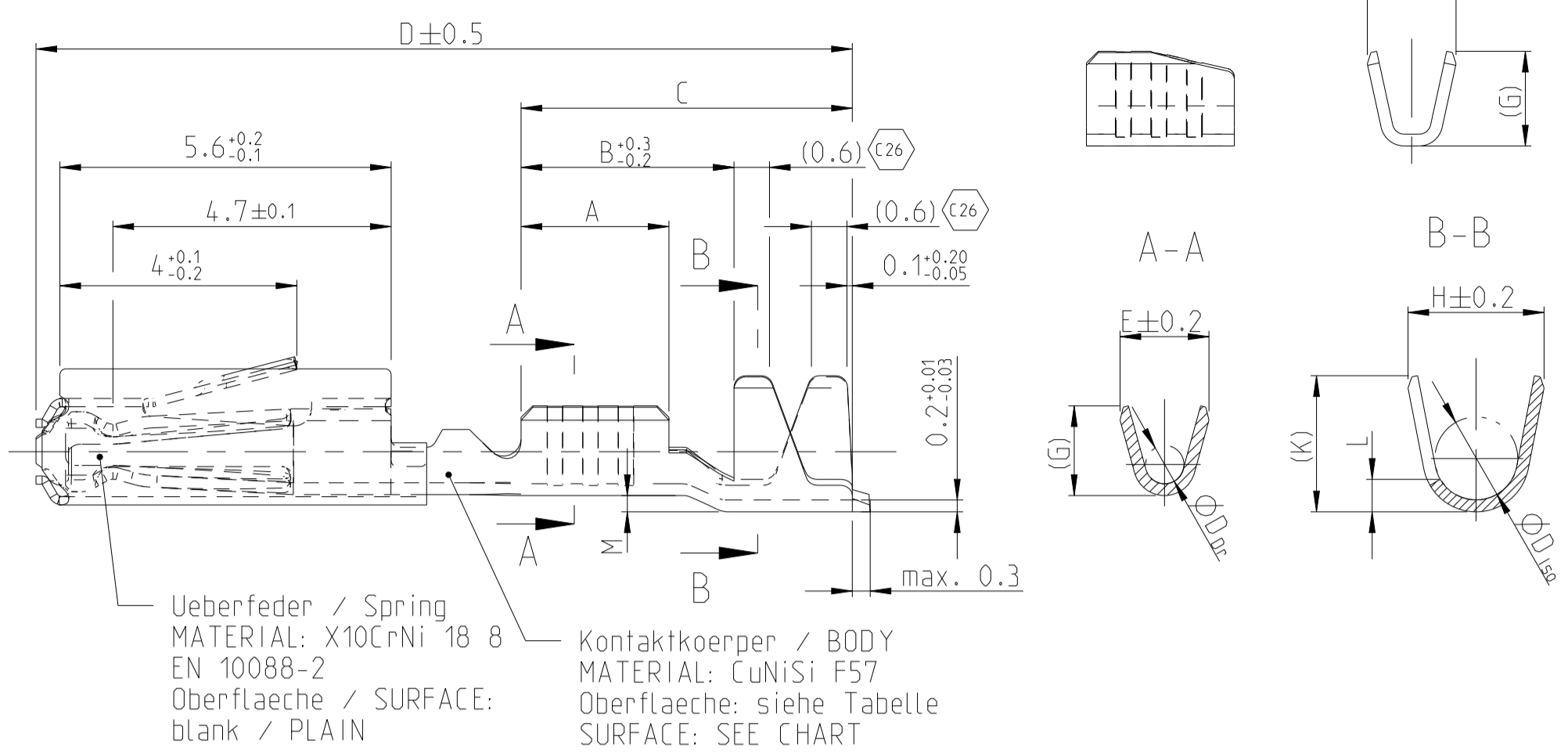
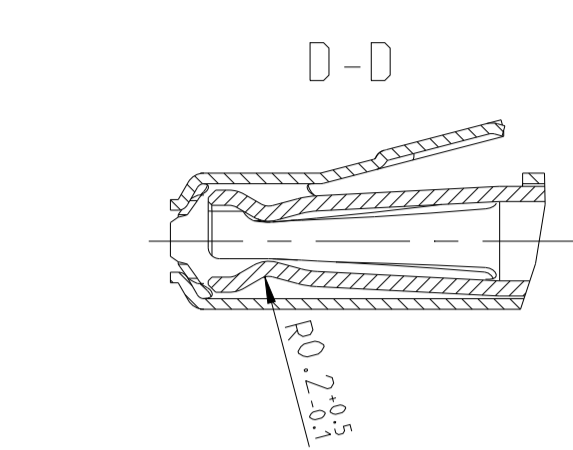
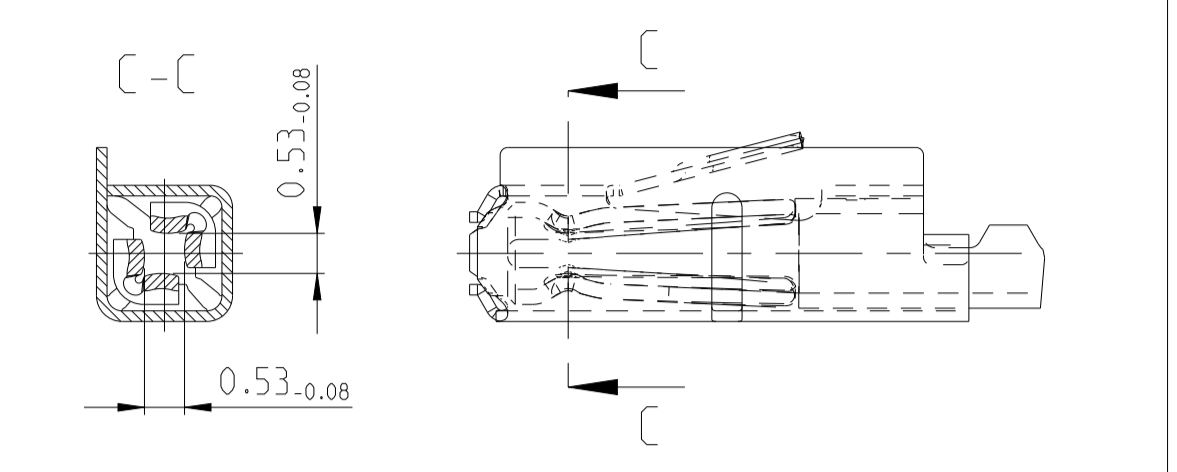


Normale Anwendung  
 USUAL APPLICATION

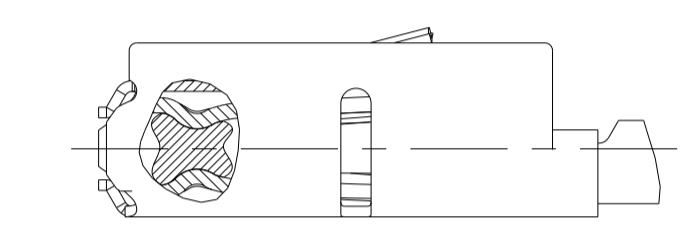


REV.	DATE	BY	CHK	DESCRIPTION
C23	30APR2019	FRAN	BERG	Definition of measurement point f. contact height
C24	09DEC2019	MAH.	BERG	See PCN E-19-011079
C25	28AUG2020	MAH.	BERG	See PCN E-20-001102
C26	20AUG2021	FRAN	BERG	See PCN E-20-016678 and PCN-21-110979

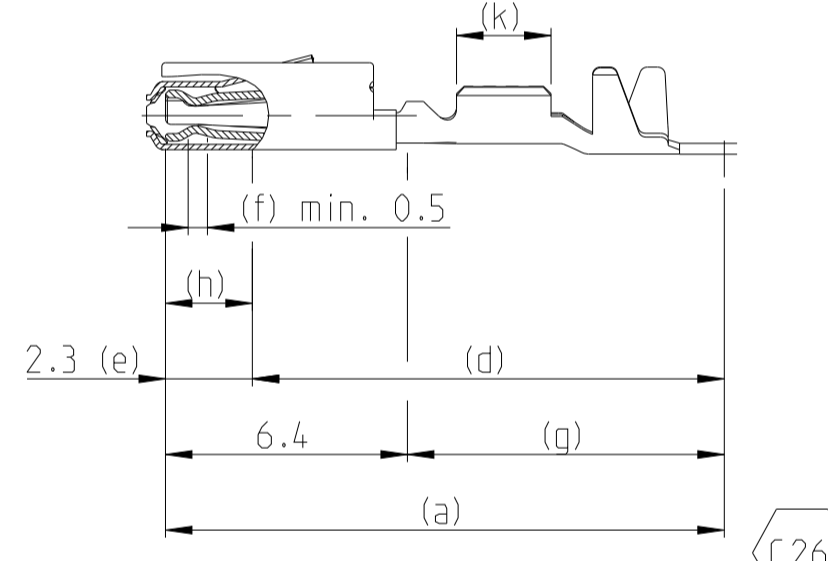
versilberte/vergoldete Ausfuehrung  
 SILVER/GOLD VERSION



GEL VERSION



Oberflaeche / FINISH

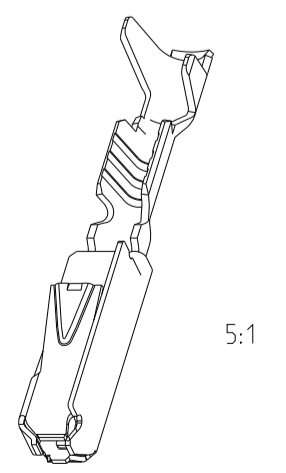
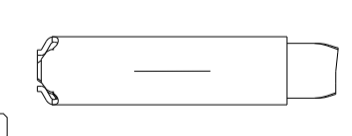
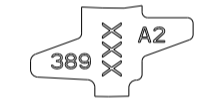


- Sn: verzinnete Ausfuehrung  
 TINNED  
 (a) Kontaktkoerper: 0.8 - 2 µm Sn  
 BODY: 0.8 - 2 µm Sn
- Ag: versilbert  
 SILVER  
 (e) min. 0.3 µm Ag  
 (f) min. 2.8 µm Ag INSIDE  
 min. 2.8 µm Ag innen  
 (g) min. 0.2 µm Sn  
 (k) min. 0.8 - 2 µm Sn
- Au (galvanisch): galvanisch vergoldet  
 GOLD-ELECTROPLATED  
 (d) 0.05-1 µm Ni, beidseitig  
 0.05-1 µm Ni, ON BOTH SIDES  
 (e) 1-3 µm Ni, beidseitig  
 1-3 µm Ni, ON BOTH SIDES  
 (f) min. 1.8 µm Au ueber (e), innen  
 MIN. 1.8 µm Au OVER (e), INSIDE  
 (g) min. 0.2 µm Sn ueber (d), beidseitig  
 MIN. 0.2 µm Sn OVER (d), ON BOTH SIDES  
 (h) Au galvanisch auslaufend  
 Au OVERPLATING  
 (k) min. 0.8 - 2.0 µm Sn

Bemerkungen

- Datumscode (Woche/Jahr z.B. KW 38/Jahr2009) und TE-Revision (z.B. Rev.A) DATE CODE (WEEK/YEAR E.G. WEEK NUMBER 38/YEAR2009) AND TE REVISION (E.G. REV. A)
- Passend zu Stiftkontakt siehe Zeichnung 929453 SUITABLE FOR PIN CONTACT SEE DRAWING 929453
- Einzelheiten der Ausfuehrung bleiben dem Hersteller ueberlassen DETAILS OF DESIGN ARE LEFT TO MANUFACTURER
- Nur fuer FLR-Leitung nach DIN 72551 Teil 6 FOR FLR-CONDUCTOR ACCORDING TO DIN 72551-6 ONLY
- 
- nicht fuer Neuanwendung NOT FOR NEW APPLICATION
- zugverstaerkte Leitung nach LV 112-4 REINFORCED WIRE ACCORDING LV 112-4
- Bei doppelt fallenden Werkzeugen wird die erste Ueberfeder mit einer Kennzeichnung "-" versehen WITH DOUBLE OUT DIES THE FIRST SPRING WILL BE PROVIDED WITH AN INDICATION "-"
- Varianten von Design1 werden durch die entsprechenden Versionen von Design2 ersetzt VARIANTS OF DESIGN1 ARE SUPERSEDED BY CORRESPONDING VERSIONS OF DESIGN2

Bestell-Nr. Ausfuehrung ORDER NO. DESIGN 2	Bestell-Nr. Ausfuehrung ORDER NO. DESIGN 3	Rev.	Bestell-Nr. Ausfuehrung ORDER NO. DESIGN 1	Rev.	VERSION	DGB Wire Size Range mm <sup>2</sup>	Oberflaeche SURFACE	Laenge LENGTH mm	Drahtcrimp WIRE CRIMP mm	Iso-crimp INSU-CRIMP mm	Gewicht WEIGHT g	Vergaehrung Spez. APPLICATION SPEC.	DGB Wire Size Range mm <sup>2</sup>	Isolations Ø INSULATING DIA. mm	fuer Kammer Ø3.45 FOR CAVITY DIA. 3.45 mm	Blindstopfen RUBBER PLUG	fuer Kammer Ø4 FOR CAVITY DIA. 4 mm	Blindstopfen RUBBER PLUG	zugehoerige Einzeldichtung / SUITABLE SINGLE WIRE SEAL		
6-965906-5		E	1-965906-5	D	Einzeldichtungssystem SINGLE WIRE SEAL SYSTEM	0.50-0.75	Au-Gel	A = 2.8 B = 4.2 C = 6.2 D = 14.3 M = 0.7	E = 2 G = 2.1 D <sub>Dr</sub> = 1	H = 3.5 K = 3.4 L = 1.5 D <sub>150</sub> = 2.4	0.13	114-18025	0.75	1.4-1.9	967067-1	967056-1 blau / BLUE	963142-1	967056-1 blau / BLUE			
5-965906-6		D	965906-6	C			Ag	A = 2.5 B = 3.9 C = 5.9 D = 14 M = 0.7	E = 1.8 G = 1.8 D <sub>Dr</sub> = 0.8	H = 3.5 K = 3.4 L = 1.5 D <sub>150</sub> = 2.4					0.35		0.9-1.4			967067-2	963142-2
5-965906-5		E	965906-5	D			Au	A = 2.5 B = 4.3 C = 6.2 D = 14.2 M = 0.6	E = 1.5 G = 1.4	H = 4 K = 3.9 N = 3.1 D <sub>150</sub> = 2.6					0.13		0.85-1.25			967067-2	963142-2
5-965906-1		D	965906-1	C			Sn								0.17					gelb YELLOW	grau GREY
5-962885-6		J	962885-6	H	normale Anwendung USUAL APPLICATION	0.25-0.35	Au-Gel	A = 2.8 B = 3.9 C = 5.6 D = 13.7 M = 0.2	E = 2 G = 2.1 D <sub>Dr</sub> = 1	H = 2.7 K = 2.9 L = 0.7 D <sub>150</sub> = 1.6	0.11	114-18021	0.50-0.75		967067-1		963142-2				
5-962885-5		K	962885-5	J			Ag	A = 2.5 B = 3.6 C = 5.6 D = 13.7 M = 0.2	E = 1.8 G = 1.8 D <sub>Dr</sub> = 0.8	H = 2.3 K = 2.3 L = 0.6 D <sub>150</sub> = 1.4					0.35					gelb YELLOW	grau GREY
5-962885-1		J	962885-1	H			Au	A = 2.5 B = 3.7 C = 5.4 D = 13.7 M = 0	E = 1.5 G = 1.5 D <sub>Dr</sub> = 0.65	H = 2 K = 2 D <sub>150</sub> = 1.1					0.13					gelb YELLOW	grau GREY
		A					Sn								0.17						
6-963715-5		K	1-963715-5	J		0.50-0.75	Au-Gel	A = 2.8 B = 3.9 C = 5.6 D = 13.7 M = 0.2	E = 2 G = 2.1 D <sub>Dr</sub> = 1	H = 2.7 K = 2.9 L = 0.7 D <sub>150</sub> = 1.6	0.11		0.50-0.75		967067-1		963142-2				
5-963715-6		J	963715-6	H			Ag	A = 2.5 B = 3.6 C = 5.6 D = 13.7 M = 0.2	E = 1.8 G = 1.8 D <sub>Dr</sub> = 0.8	H = 2.3 K = 2.3 L = 0.6 D <sub>150</sub> = 1.4					0.35					gelb YELLOW	grau GREY
5-963715-5		K	963715-5	J			Au	A = 2.5 B = 3.7 C = 5.4 D = 13.7 M = 0	E = 1.5 G = 1.5 D <sub>Dr</sub> = 0.65	H = 2 K = 2 D <sub>150</sub> = 1.1					0.13					gelb YELLOW	grau GREY
5-963715-1		J	963715-1	H			Sn								0.17						
6-928999-5		T	1-928999-5	S		0.25-0.35	Au-Gel	A = 2.8 B = 3.9 C = 5.6 D = 13.7 M = 0.2	E = 2 G = 2.1 D <sub>Dr</sub> = 1	H = 2.7 K = 2.9 L = 0.7 D <sub>150</sub> = 1.6	0.11		0.25-0.35		967067-1		963142-2				
5-928999-6		S	928999-6	R			Ag	A = 2.5 B = 3.6 C = 5.6 D = 13.7 M = 0.2	E = 1.8 G = 1.8 D <sub>Dr</sub> = 0.8	H = 2.3 K = 2.3 L = 0.6 D <sub>150</sub> = 1.4					0.35					gelb YELLOW	grau GREY
5-928999-5		T	928999-5	S			Au	A = 2.5 B = 3.7 C = 5.4 D = 13.7 M = 0	E = 1.5 G = 1.5 D <sub>Dr</sub> = 0.65	H = 2 K = 2 D <sub>150</sub> = 1.1					0.13					gelb YELLOW	grau GREY
5-928999-1		S	928999-1	R			Sn								0.17						
2141826-6		A				0.13 / 0.17	Ag	A = 2.5 B = 4.3 C = 6.2 D = 14.2 M = 0.6	E = 1.5 G = 1.4	H = 4 K = 3.9 N = 3.1 D <sub>150</sub> = 2.6	0.1		0.13	0.85-1.25	967067-2	967056-1 blau / BLUE	963142-2	967056-1 blau / BLUE			
2141826-5		A					Au								0.13					gelb YELLOW	grau GREY
2141826-1		A					Sn								0.17						
1355717-6		A				0.08-0.22	Ag	A = 2.5 B = 3.7 C = 5.4 D = 13.7 M = 0	E = 1.5 G = 1.5 D <sub>Dr</sub> = 0.65	H = 2 K = 2 D <sub>150</sub> = 1.1	0.1		0.08-0.22		Au		963142-2				
1355717-5		C					Au								0.13					gelb YELLOW	grau GREY
1355717-1		C					Sn								0.17						



THIS DRAWING IS A CONTROLLED DOCUMENT.		OWN S. Garcia 05JAN1999	TE Connectivity	
DIMENSIONS: mm		CHK M. Bleicher 05JAN1999	MOS Tabellenzeichnung Buchsenkontakt TABLE SOCKET CONTACT	
TOLERANCES UNLESS OTHERWISE SPECIFIED: ±0.2		APVD R. Jetter 13AUG2003	NAME	
MATERIAL: -		114-18030	SIZE	
		114-18021 / 114-18025	CAGE CODE DRAWING NO	
		00779	RESTRICTED TO	
		929454	SCALE 10:1 SHEET 1 OF 1 REV C26	
			CUSTOMER DRAWING	

## X-ON Electronics

Largest Supplier of Electrical and Electronic Components

*Click to view similar products for [Automotive Connectors](#) category:*

*Click to view products by [TE Connectivity](#) manufacturer:*

Other Similar products are found below :

[003-018-000](#) [60403001](#) [60993906-B](#) [M902-2131](#) [M902-2161](#) [M902-2344](#) [72.330.1035.1](#) [73.353.4028.0](#) [F119300-B](#) [F166900](#) [F258300-B](#)  
[F358300-B](#) [F407400](#) [F444110](#) [F487000](#) [F509500B-B](#) [827153-1](#) [8N1515-32-24P](#) [9-1326729-8](#) [925474-1](#) [928905-1](#) [964562-4](#) [968782-1](#)  
[GT17SA-8DS-HU](#) [98891-1012](#) [98947-1016](#) [12004147](#) [12004475-L](#) [12010290](#) [12010309-B](#) [12015454](#) [12020219-B](#) [12041318-B](#) [12052225-](#)  
[L](#) [12052466](#) [12064869](#) [12004327-B](#) [12015308](#) [12015384](#) [12015909](#) [1-21030-1](#) [12041254](#) [12041318](#) [12047946-B](#) [12047957](#) [12047957-L](#)  
[12059473](#) [12066261](#) [12110546](#) [12110546-B](#)