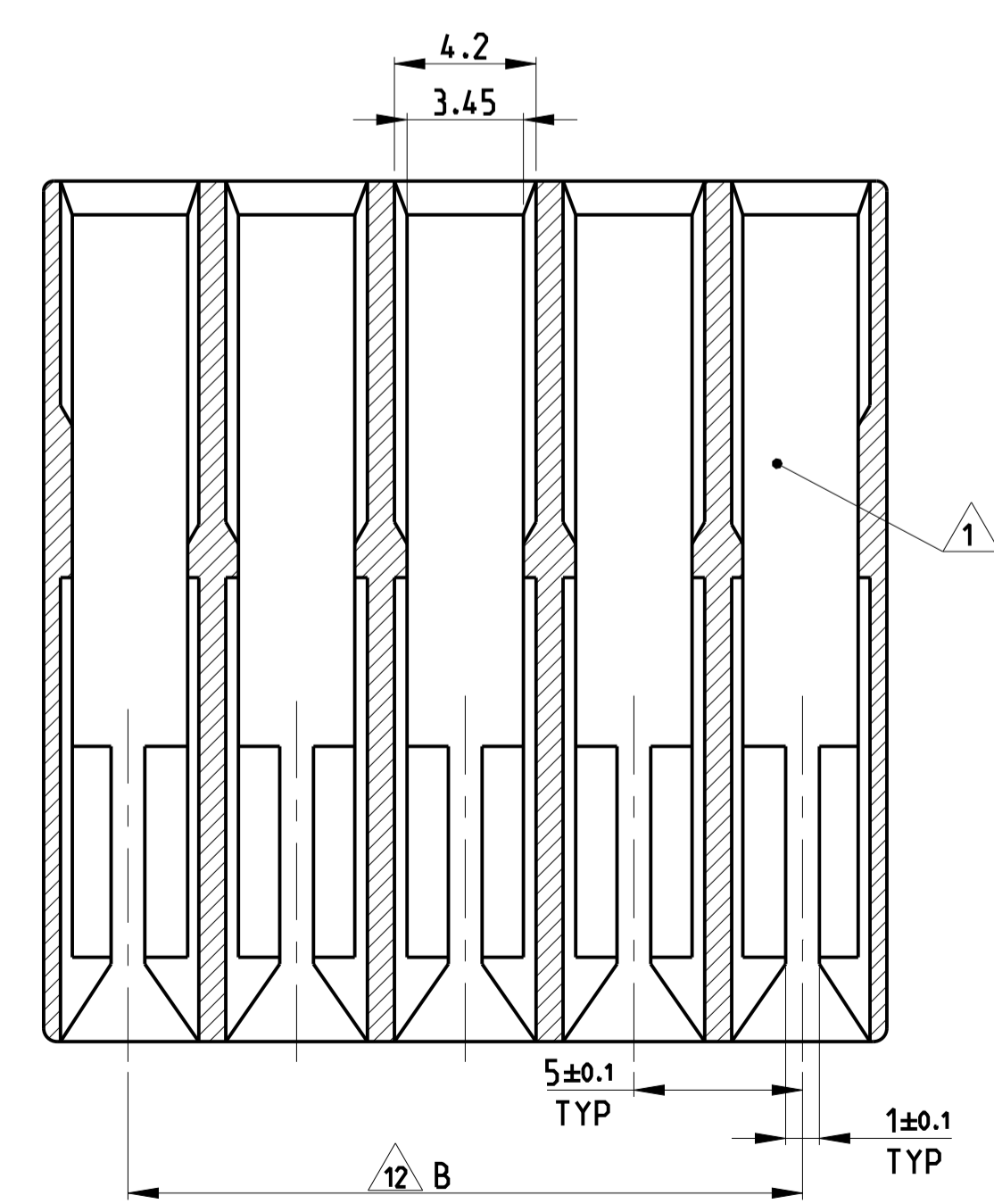
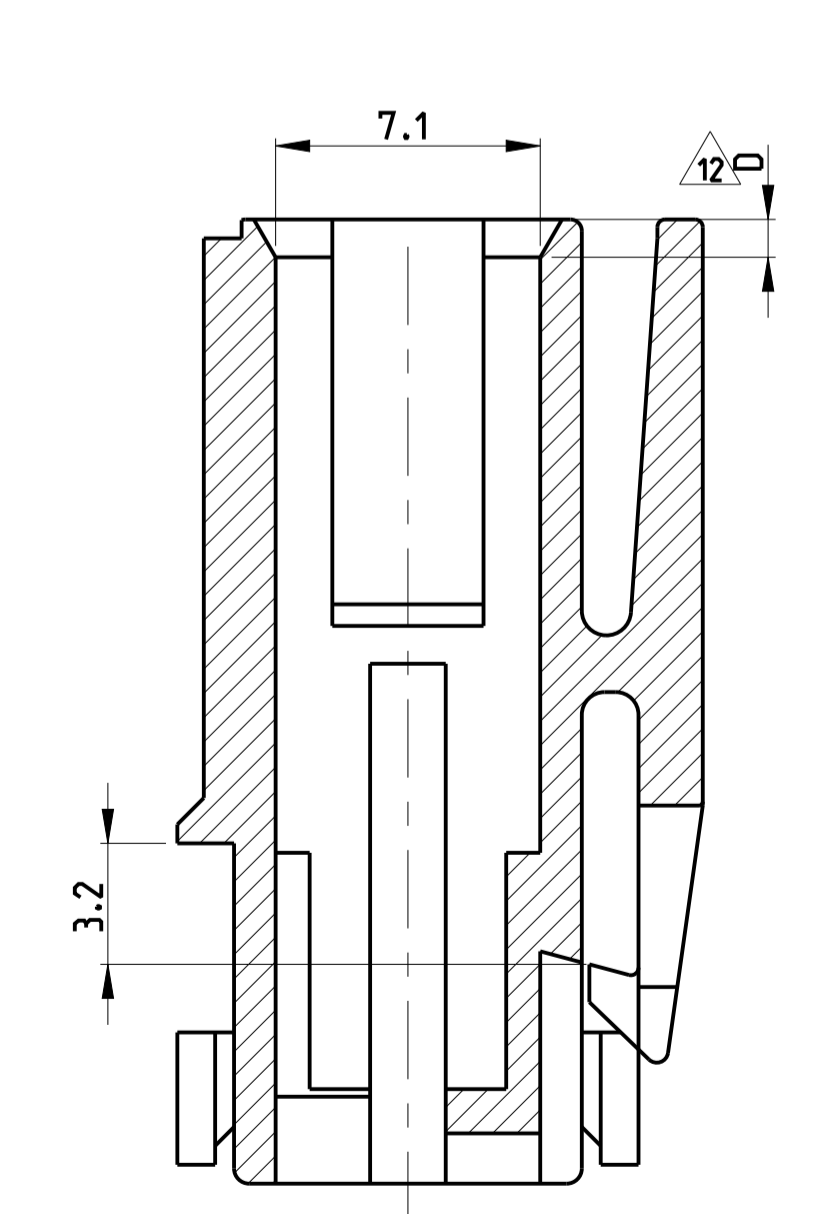
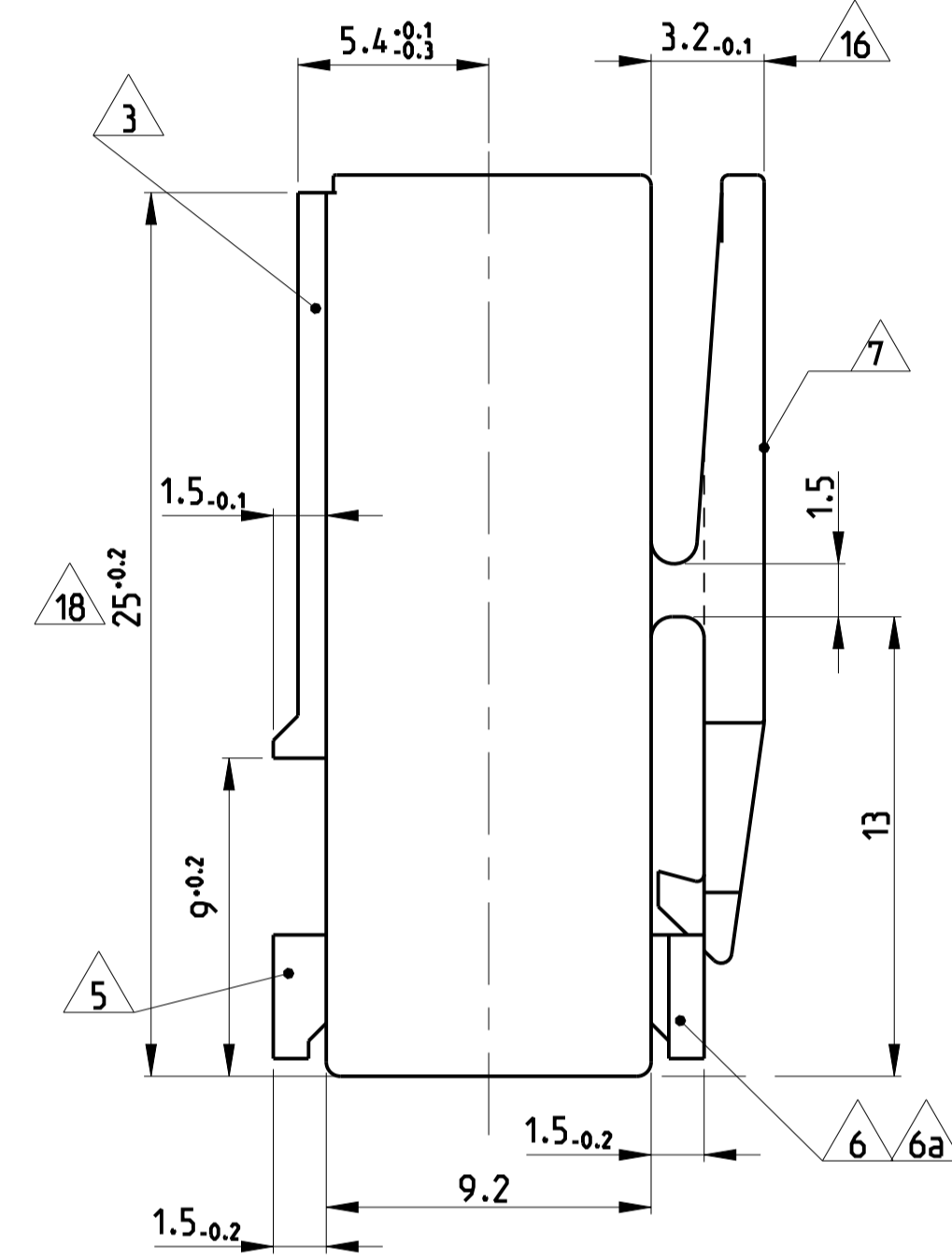
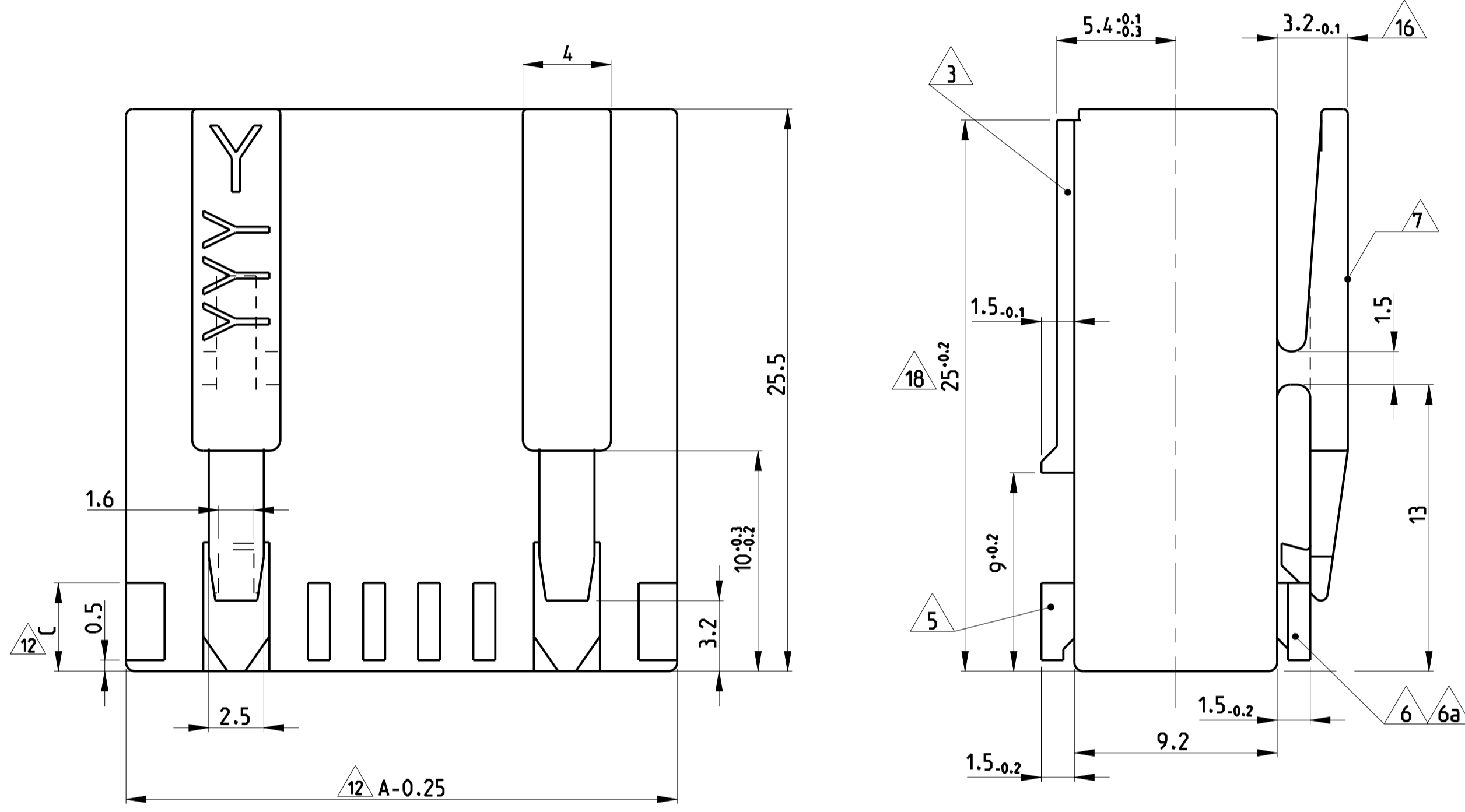
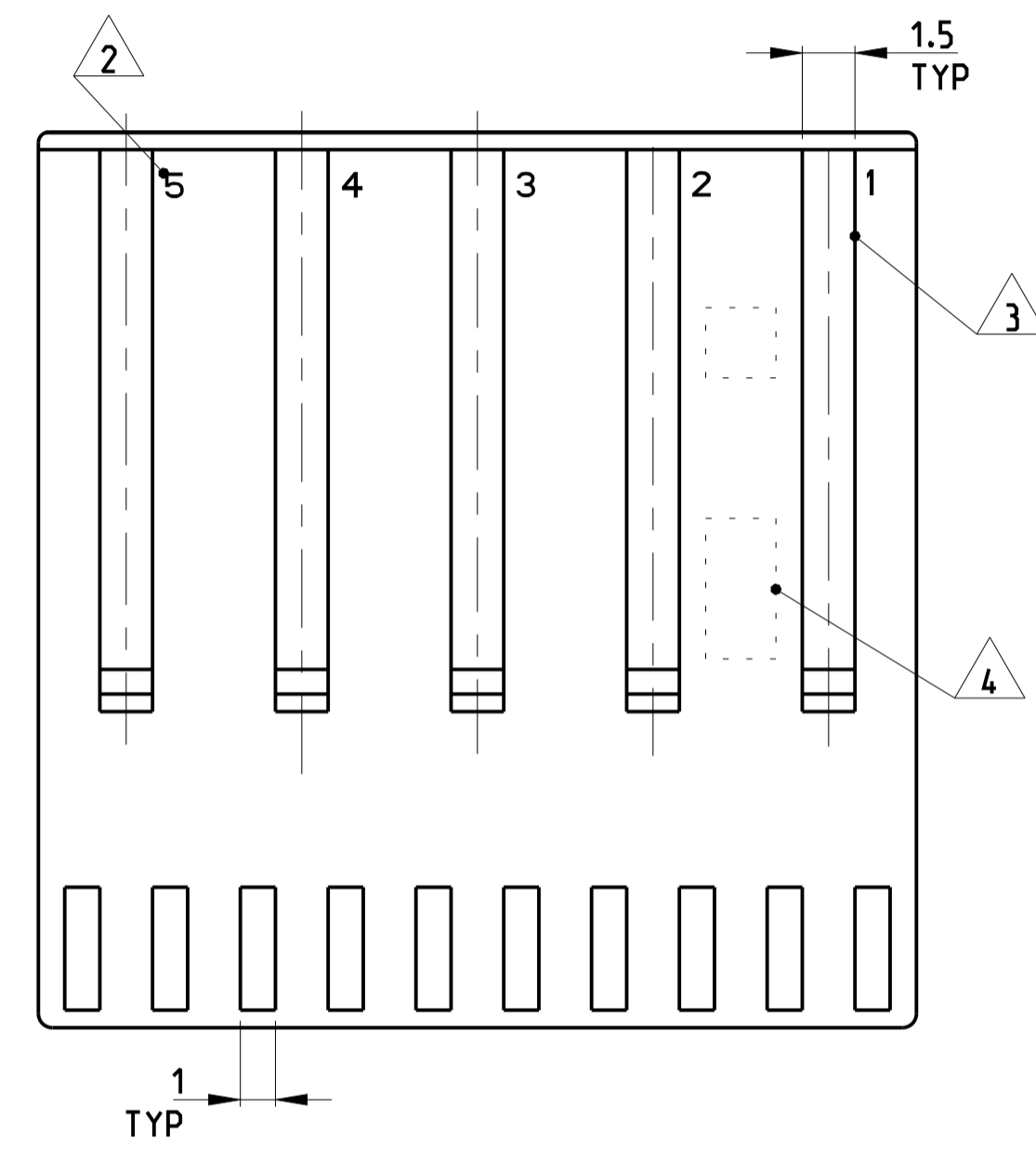
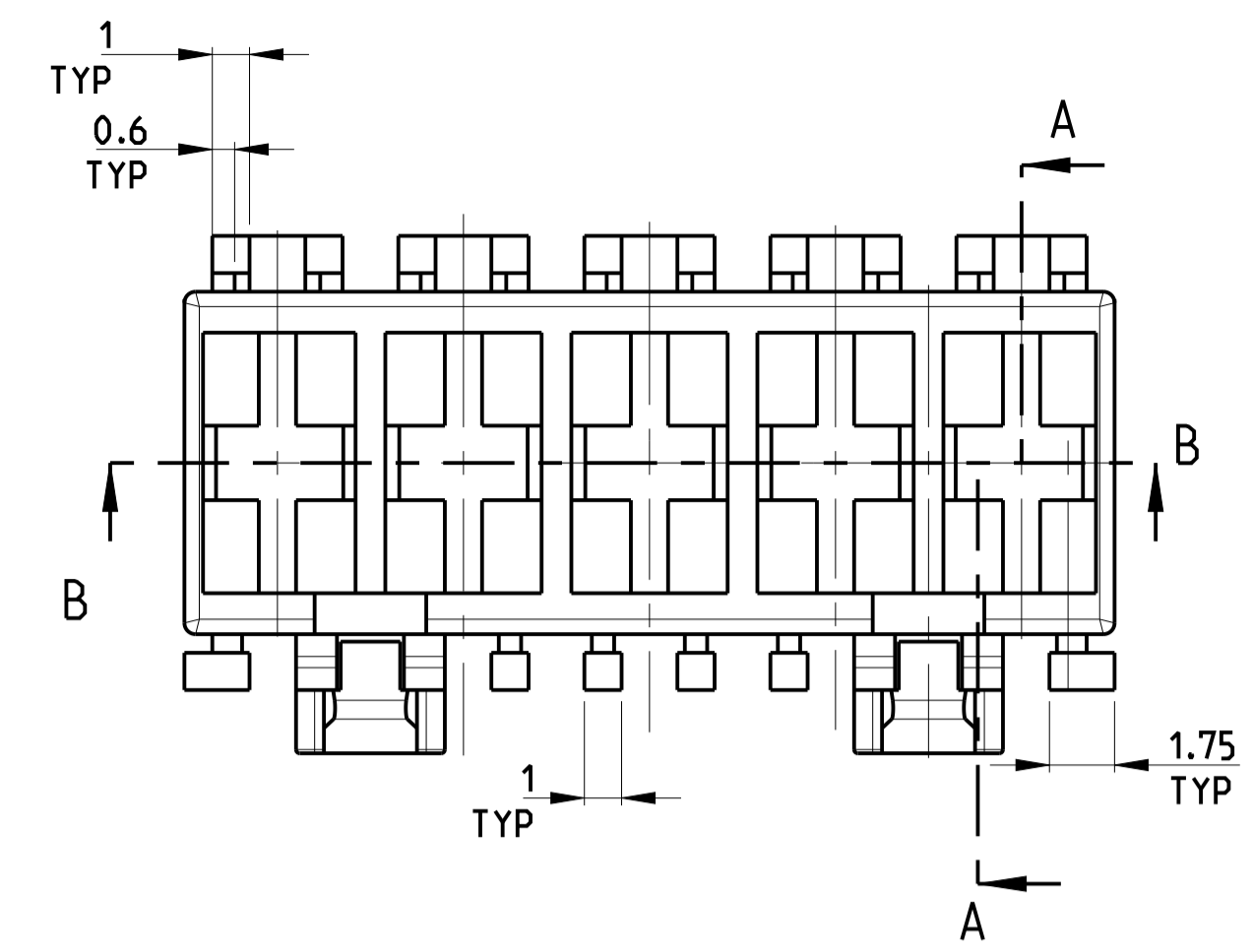
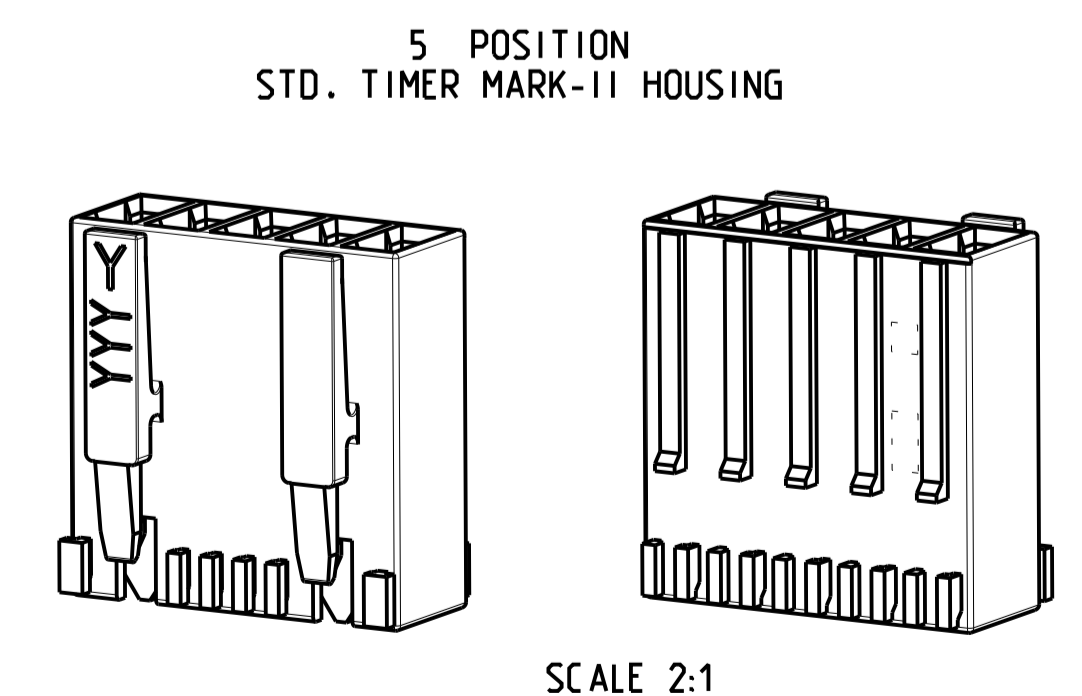


LOC		DIST		REVISIONS			
		P	LTR	DESCRIPTION	DATE	DRW	APVD
	E1			ECR-21-100139	12 JAN 2021	KD	FL
	E2			ECR-21-100675	23 FEB 2021	KD	FL
	E3			ECR-21-102870	20 MAY 2021	SM	FL
	E4			ECR-21-103933	14 JUN 2021	PJ	FL

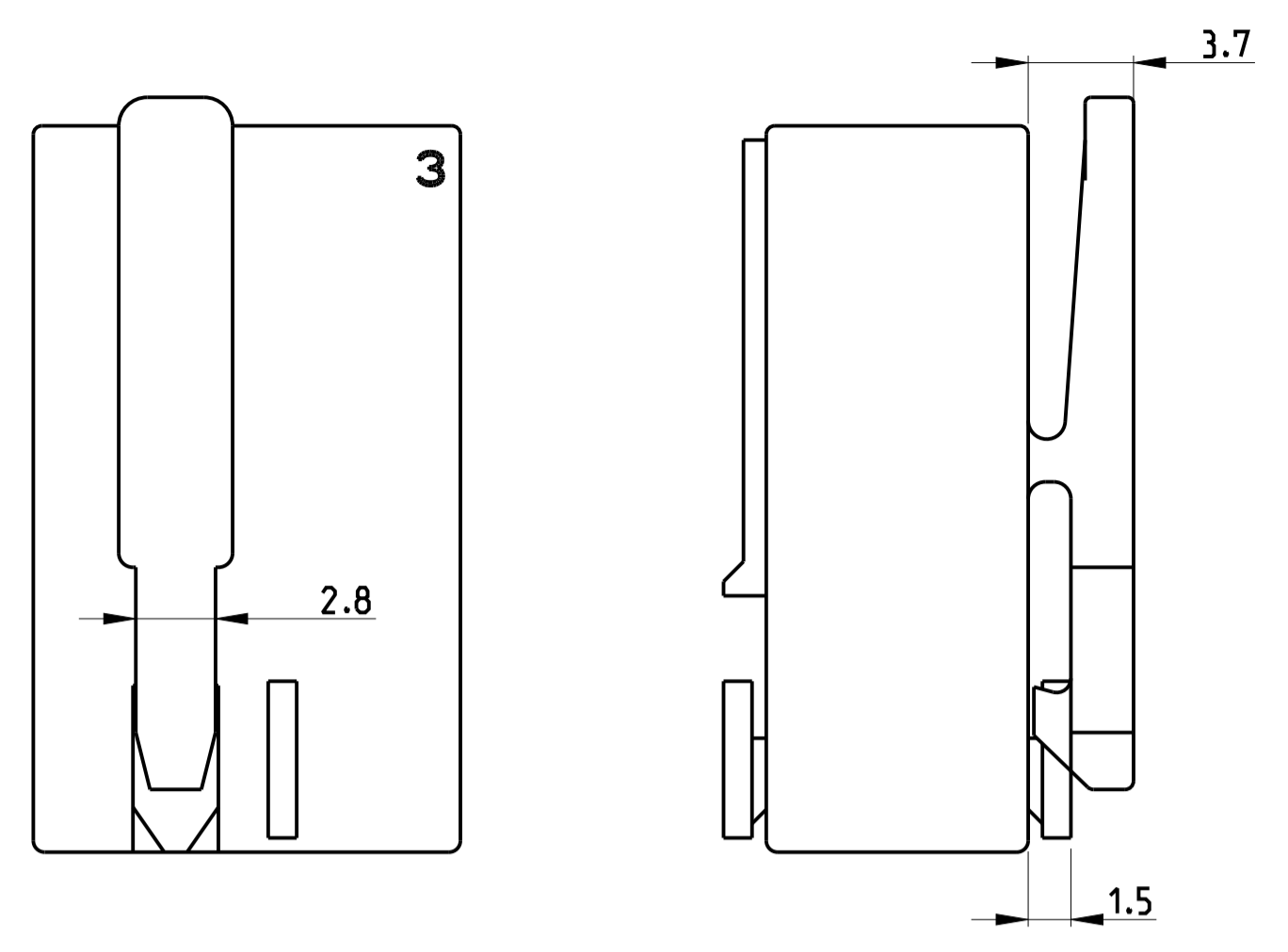


- REMARKS/Bemerkungen**
- 1 CAVITY SUITABLE FOR STANDARD TIMER CONTACTS LISTED IN PROD.SPEC. 108-18049. ITEM 3.3.2  
Kammer geeignet für Standard Timer Kontakte gelistet in Prod. Spec. 108-18049. Punkt 3.3.2
  - 2 CONTACT CAVITY NO.  
Kontaktkammernummerierung
  - 3 MATING STOP  
Tiefenanschlag
  - 4 AREA FOR TE LOGO ACC. TO SPEC 202-36  
Bereich für TE Logo nach Spec. 202-36
  - 5 POLARIZATION RIB POSITION "a" AND/OR "b"  
Polarisierungsrippe Position "a" und/oder "b"
  - 6 KEYING RIB POSITION "c" AND/OR "d"  
Kodierrippe Position "c" und/oder "d"
  - 6a KEYING RIB POSITION "c" AND/OR "d" AT THE END WALLS OF THE HOUSING  
Kodierrippe Position "c" und/oder "d" an den Gehäusestirnseiten
  - 7 LOCKING LATCH  
Rasthaken
  - 8 TE PART NO (PN)  
TE Bestell Nr. (PN)
  - 9 DESIGN OF THE HOUSINGS ACC. TO RAST 5 STANDARD  
Gehäuseausführung gemäss RAST 5 Vorgabe
  - 10 GENERAL SUITABLE TAB HEADER SEE RAST 5 PERFORMANCE  
Generell passende Flachsteckerwannen siehe RAST 5 Vorgabe
  - 11 PACKAGING: BULK PACKAGING IN CORRUGATED BOX PN 740580-2  
2 POS. 2500 PIECES PER BOX / 3 POS. 2000 PIECES PER BOX  
Verpackung: Schüttgut in Versandkarton Pn 740580-2  
2pol. 2500 Stück per Karton / 3pol. 2000 Stück per Karton
  - 12 DIMENSION A, B C AND D SEE SHEET 2 OF 3
  - 13 MATERIAL CORRESPONDS TO THE REQUIREMENT EN 60335  
(INCL. GLOW WIRE TEST 750° WITHOUT FLAME)  
Material entspricht den Anforderungen der EN 60335  
(inkl. Glühdrahttest 750° ohne Flamme)
  - 14 RATIO NUMBER OF THE KEYING VERSION, INKJET PRINTED. SEE SHEET 2  
Kodierungskennnummer, mit Tintenstrahldrucker aufgebracht. siehe Blatt 2
  - 15 PRELIMINARY- NOT RELEASED FOR PRODUCTION
  - 16 ONLY FOR 9-1241961-7. DIMENSION 3.2 -0.2
  - 17 DOUBLE SOURCE RESIN: ALTERNATIVE RESIN UNDER APPROVAL
  - 18 ALLOWED 25±0.2 FOR P/NS X-2364739-X.



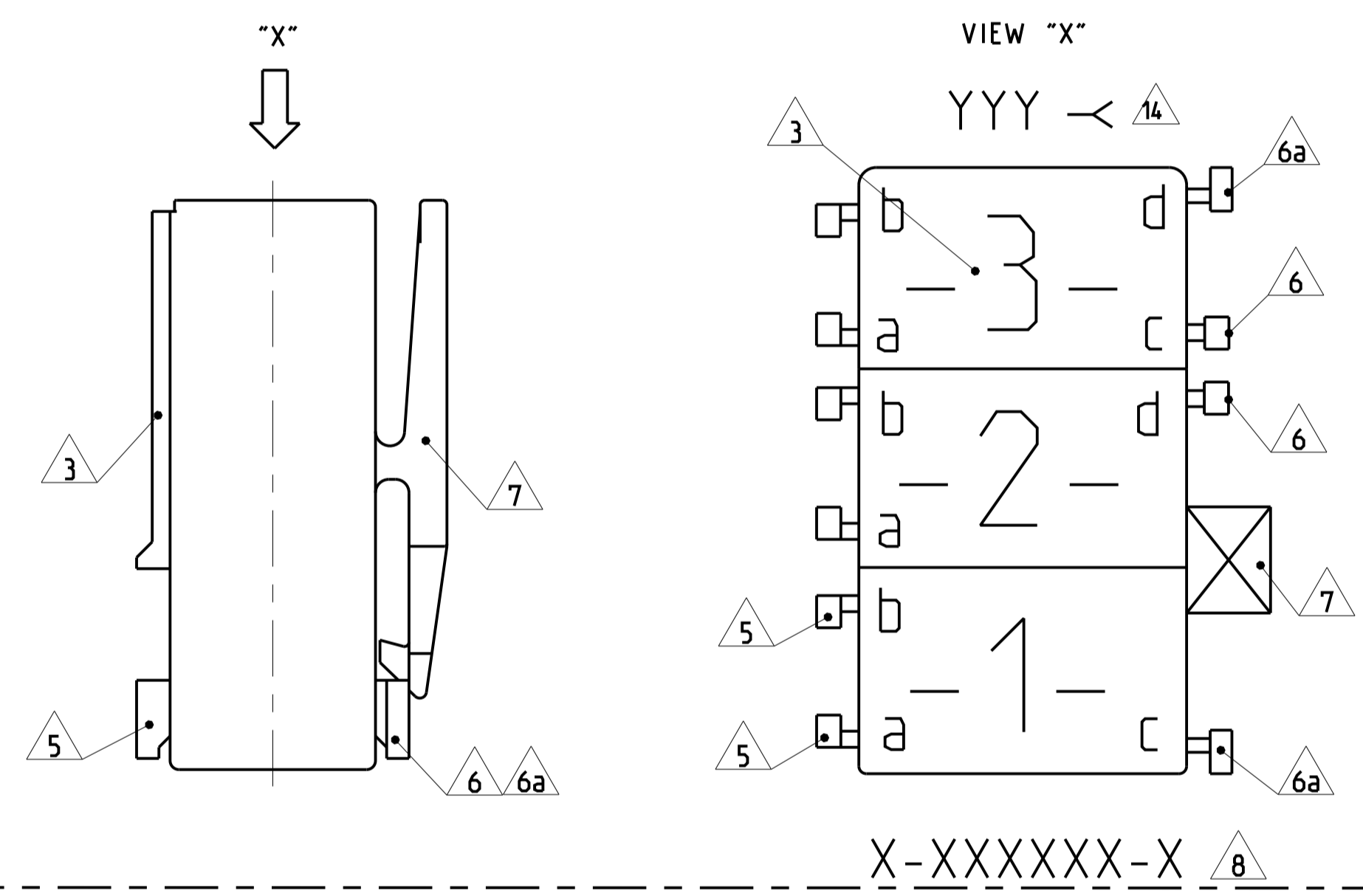
THIS DRAWING IS A CONTROLLED DOCUMENT.		DRW: Kishor M 18-10-07		TE Connectivity	
DIMENSIONS: mm		CHK: K. MURZ 18-10-07		NAME: STANDARD TIMER HSG. RAST 5 MARK II	
TOLERANCES UNLESS OTHERWISE SPECIFIED:		APPD: T. Klanner 18-10-07	PRODUCT SPEC: 108-18049-1		
0 PLC ±0.2 1 PLC ±0.2 2 PLC ±0.2 3 PLC ±0.2 4 PLC ±0.2 5 PLC ±0.2 ANGLES ±° FINISH -		PRODUCT SPEC: 108-18049-1 APPLICATION SPEC:	SIZE: A1 CAGE CODE: 00779 DRAWING NO: 1241961 RESTRICTED TO:		
MATERIAL: SEE TABLES, SHEETS PAGE 2 AND 3 OF 4		WEIGHT: -	Customer Drawing		
SCALE: 5:1		SHEET 1 OF 4		REV E4	

ONLY 5-1241961-7, 1-1241961-9, 7-1241961-7, 2345753-1



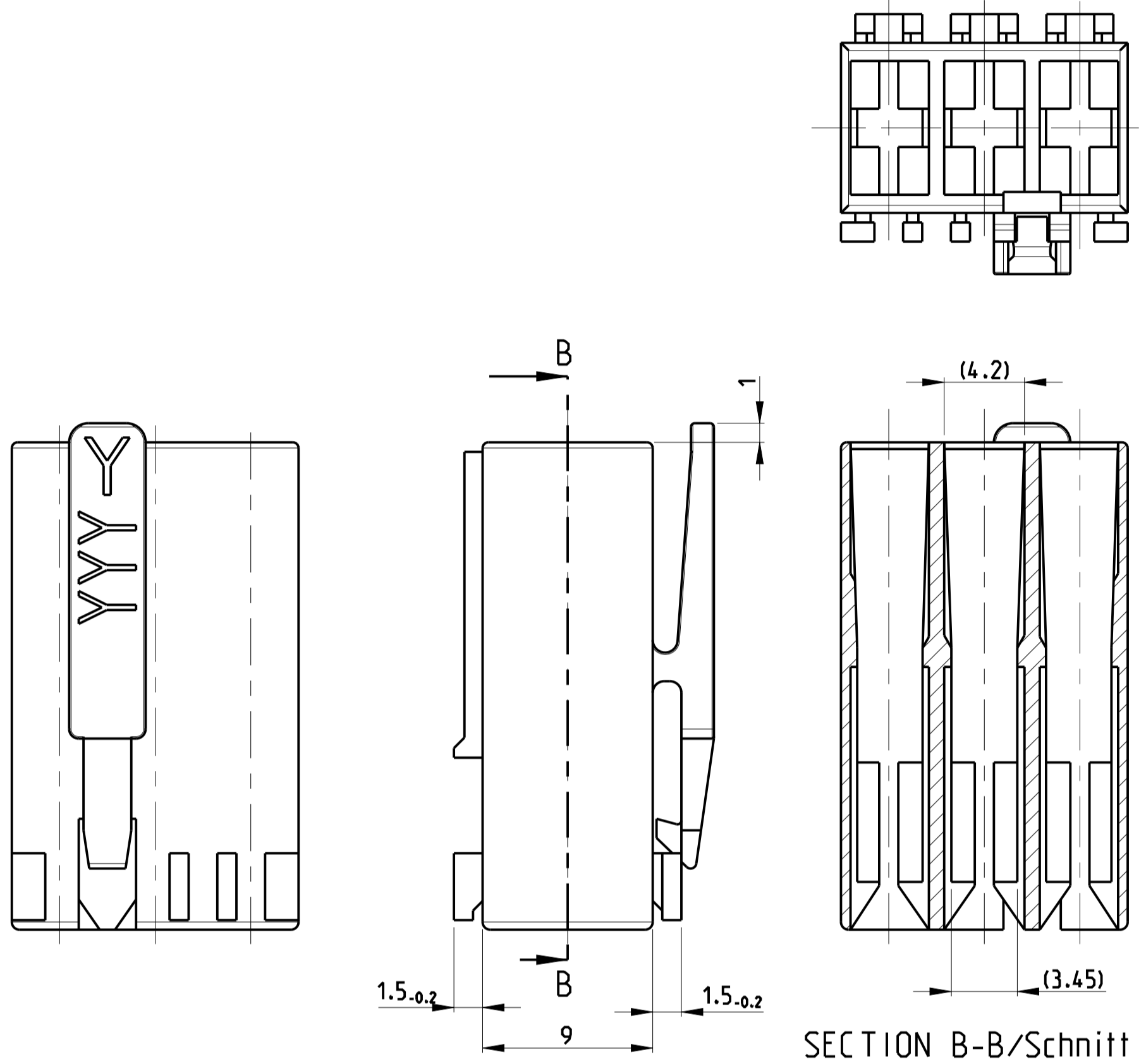
ALL OTHER DIMENSIONS SEE SHEET 1 OF 3

KEY LAYOUT DESCRIPTION



PAY ATTENTION !  
DIFFERENT CAVITY GEOMETRY AND LOCKING LATCH OVERHANG  
Bitte beachten !  
Unterschiedliche Kammergeometrie und Rasthakenuberstand.

FOR 2 POS. AND 3 POS.



ALL OTHER DIMENSIONS SEE SHEET 1 OF 3  
Alle anderen Masse siehe Seite 1 von 3

SPECIAL MATERIAL: UL94 V0									
PART NO	POS.	DIM C	DIM D	DIM A	DIM B	MATERIAL	COLOUR	REV	REV
2345753-1	3	6	1	15	10	PA66	NATURAL	C	

SPECIAL MATERIAL									
PART NO	POS.	DIM C	DIM D	DIM A	DIM B	MATERIAL	COLOUR	REV	REV
1955507-4	4	6	1	20	15	PA66	NATURAL	1	
9-1955506-2	2	6	1	10	5	UL 94 V0	NATURAL	1	

PART NO	POS.	DIM C	DIM D	DIM A	DIM B	MATERIAL	COLOUR	REV	REV
6-1241961-7	3			15	10	PA 6 UL94V-2	NATURAL	13	1
4-1241961-7	3			15	10	PA 6 UL94V-2	NATURAL	13	A
3-1241961-7	3	4	0.5	15	10	PA 6 UL94V-2	NATURAL	13	A
1-1955422-7	3			15	10	PA 66 UNFILLED UL94 V0	NATURAL		A
5-1955422-7	3			15	10	PA 66 UNFILLED UL94 V0	NATURAL		A
4-1955422-3	2	6	1	10	5	PA 66 UNFILLED UL94 V0	NATURAL		A
2-1241817-3	3	4 or 6	0.5 or 1	15	10	PA 66 UL94 V-2	Green		E
0-1955422-6	3			15	10	PA 66 UNFILLED UL94 V0	NATURAL		A
8-1241961-8	3			15	10	PA 6 UL94V-2	natural	13	C
0-1241961-8	3			15	10				
8-1241961-3	2	4	0.5	10	5				
3-1241961-1	2			10	5	PA 6 UL94V-2	NATURAL	13	C
0-1955422-1	2			10	5	PA 66 UNFILLED UL94 V0	NATURAL		A

SPECIAL VERSION: UL94 V0 & GWT 750NF									
PART NO	POS.	DIM C	DIM D	DIM A	DIM B	MATERIAL	COLOUR	REV	REV
2178571-3	4			20	15	PA 66. UL94 V-0	NATURAL		
2178571-1	3	4	1	15	10	PA 66. UL94 V-0	NATURAL		
2178571-2	2			10	5	PA 66. UL94 V-0	NATURAL		
1-2178571-3	3			15	10	PA 66. UL94 V-0	NATURAL		

REVISIONS									
REV	DATE	DESCRIPTION	DWG	APPD					
1	18-10-07	SEE SHEET-01							
2	18-10-07	PA 6 UL94V-2		B					
3	18-10-07	Natural/natur		A					
4	18-10-07	PA 6,6 UL94V-2		B					
5	18-10-07	Natural/natur							
6	18-10-07	Black/schwarz							
7	18-10-07	Violet/violett							
8	18-10-07	Grey/grau							
9	18-10-07	Natural/natur							
10	18-10-07	Green/grün							
11	18-10-07	Violet/violett							
12	18-10-07	TARGET RAL 4001							
13	18-10-07	Yellow/gelb							
14	18-10-07	Black/schwarz							
15	18-10-07	Blue/blau							
16	18-10-07	Red/rot							
17	18-10-07	PA 6 UL94V-2							
18	18-10-07	Natural/natur							
19	18-10-07	PA 6,6 UL94V-2							
20	18-10-07	Yellow/gelb							
21	18-10-07	PA 6 UL94V-2							
22	18-10-07	Natural/natur							
23	18-10-07	PA 6 UL94V-2							
24	18-10-07	Natural/natur							
25	18-10-07	PA 6 UL94V-2							
26	18-10-07	Natural/natur							
27	18-10-07	PA 6 UL94V-2							
28	18-10-07	Natural/natur							
29	18-10-07	PA 6 UL94V-2							
30	18-10-07	Natural/natur							
31	18-10-07	PA 6 UL94V-2							
32	18-10-07	Natural/natur							
33	18-10-07	PA 6 UL94V-2							
34	18-10-07	Natural/natur							
35	18-10-07	PA 6 UL94V-2							
36	18-10-07	Natural/natur							
37	18-10-07	PA 6 UL94V-2							
38	18-10-07	Natural/natur							
39	18-10-07	PA 6 UL94V-2							
40	18-10-07	Natural/natur							
41	18-10-07	PA 6 UL94V-2							
42	18-10-07	Natural/natur							
43	18-10-07	PA 6 UL94V-2							
44	18-10-07	Natural/natur							
45	18-10-07	PA 6 UL94V-2							
46	18-10-07	Natural/natur							
47	18-10-07	PA 6 UL94V-2							
48	18-10-07	Natural/natur							
49	18-10-07	PA 6 UL94V-2							
50	18-10-07	Natural/natur							
51	18-10-07	PA 6 UL94V-2							
52	18-10-07	Natural/natur							
53	18-10-07	PA 6 UL94V-2							
54	18-10-07	Natural/natur							
55	18-10-07	PA 6 UL94V-2							
56	18-10-07	Natural/natur							
57	18-10-07	PA 6 UL94V-2							
58	18-10-07	Natural/natur							
59	18-10-07	PA 6 UL94V-2							
60	18-10-07	Natural/natur							
61	18-10-07	PA 6 UL94V-2							
62	18-10-07	Natural/natur							
63	18-10-07	PA 6 UL94V-2							
64	18-10-07	Natural/natur							
65	18-10-07	PA 6 UL94V-2							
66	18-10-07	Natural/natur							
67	18-10-07	PA 6 UL94V-2							
68	18-10-07	Natural/natur							
69	18-10-07	PA 6 UL94V-2							
70	18-10-07	Natural/natur							
71	18-10-07	PA 6 UL94V-2							
72	18-10-07	Natural/natur							
73	18-10-07	PA 6 UL94V-2							
74	18-10-07	Natural/natur							
75	18-10-07	PA 6 UL94V-2							
76	18-10-07	Natural/natur							
77	18-10-07	PA 6 UL94V-2							
78	18-10-07	Natural/natur							
79	18-10-07	PA 6 UL94V-2							
80	18-10-07	Natural/natur							
81	18-10-07	PA 6 UL94V-2							
82	18-10-07	Natural/natur							
83	18-10-07	PA 6 UL94V-2							
84	18-10-07	Natural/natur							
85	18-10-07	PA 6 UL94V-2							
86	18-10-07	Natural/natur							
87	18-10-07	PA 6 UL94V-2							
88	18-10-07	Natural/natur							
89	18-10-07	PA 6 UL94V-2							
90	18-10-07	Natural/natur							
91	18-10-07	PA 6 UL94V-2							
92	18-10-07	Natural/natur							
93	18-10-07	PA 6 UL94V-2							
94	18-10-07	Natural/natur							
95	18-10-07	PA 6 UL94V-2							
96	18-10-07	Natural/natur							
97	18-10-07	PA 6 UL94V-2							
98	18-10-07	Natural/natur							
99	18-10-07	PA 6 UL94V-2							
100	18-10-07	Natural/natur							

THIS DRAWING IS A CONTROLLED DOCUMENT. Dwg: Kishor M. 18-10-07, Appr: K. Murtz 18-10-07, Tpk: Klenner 18-10-07

**STE** TE Connectivity

STANDARD TIMER HSG. RAST 5 MARK II  
Standard Timer Gehäuse RAST 5 Mark II

SIZE: A1, CODE: 00779, DRAWING NO: 108-18049, SHEET: 2 OF 4, SCALE: 5:1, REV: E4

MATERIAL: SEE TABLES. SHEETS: PAGE 2 AND 3 OF 4. FINISH: -

WEIGHT: -

Customer Drawing

LOC	DIST	REVISIONS			
P	LTR	DESCRIPTION	DATE	DWN	APVD
		SEE SHEET 1			

SPECIAL VERSION: UL94 V0 & GWEPT 750°C NF

Part No.	POS	Dim C	Dim D	Dim A	Dim B	Material	Colour	Rev.
2364739-5	5	4	0.5	25	20	PA66 13 17	BLUE	C
2364739-4	4			20	15		BLUE	C
1-2364739-3	3			15	10		BLUE	C
2364739-3	3			15	10		BLUE	C
1-2364739-2	2			10	5		BLUE	C
2364739-2	2			10	5		BLUE	C
3-2364739-2	2			10	5		BLUE	C
2-2364739-2	2			10	5		BLUE	C

SPECIAL VERSION: UL94 V0 & GWT 750 NF & CTI 350

Part No.	POS	Dim C	Dim D	Dim A	Dim B	Material	Colour	Rev.
5-1241961-7	3	6	1	15	10	PA66 13	NATURAL	A
1-1241961-9	3			15	10		NATURAL	A
7-1241961-7	3			15	10		NATURAL	A

SPECIAL VERSION: UL94 V0 & GWT 750 NF

Part No.	POS	Dim C	Dim D	Dim A	Dim B	Material	Colour	Rev.
2322164-1	4	4	0.5	20	15	PA66 13	NATURAL	1

SPECIAL VERSION: UL94 V2 & GWT 750 NF

Part No.	POS	Dim C	Dim D	Dim A	Dim B	Material	Colour	Rev.
6-2178575-7	3	4	0.5	15	10	PA6 GF15 13	NATURAL	A

SPECIAL VERSION: UL94 V0 & GWT 750 NF

Part No.	POS	Dim C	Dim D	Dim A	Dim B	Material	Colour	Rev.
3-2178412-7	3	6	1	15	10	PA66 13 UL94 V0 & GWT 750 NF	NATURAL	1
4-2178412-7	3			15	10		NATURAL	1
8-2178412-2	2			10	5		NATURAL	1

UL94 V0 & GWT 750 NF

Part No.	POS	Dim C	Dim D	Dim A	Dim B	Material	Colour	Rev.			
2322917-4	4	4	0.5	20	15	PA66 13 UL94 V0 & GWT 750 NF	NATURAL	C			
2322917-2	2			10	5		NATURAL	C			
2315717-1	2			10	5		NATURAL	C			
2315717-2	2			10	5		NATURAL	C			
2315717-3	2			10	5		NATURAL	C			
1-2315717-2	2			10	5		NATURAL	1			
2-2315717-2	2			10	5		NATURAL	1			
2315717-4	4			20	15		NATURAL	C			
2315717-5	4			20	15		NATURAL	C			
2315717-6	3			15	10		NATURAL	C			
2315717-7	3			15	10		NATURAL	C			
1-2315717-3	3			15	10		NATURAL	E			
PART NO.	POS			DIM C	DIM D		DIM A	DIM B	MATERIAL	COLOUR	REV.

THIS DRAWING IS A CONTROLLED DOCUMENT.

DIMENSIONS: mm	TOLERANCES UNLESS OTHERWISE SPECIFIED:	DRW: Kishor M 18-10-07	CHK: K. Muniz 18-10-07	APVD: T. Klennner 18-10-07	NAME: STANDARD TIMER HSG. RAST 5 MARK II Standard Timer Gehäuse RAST 5 Mark II
0 PLC ±0.2	1 PLC ±0.2	2 PLC ±0.2	3 PLC ±0.2	4 PLC ±	PRODUCT SPEC: 108-18049
ANGLES: *	FINISH: -	WEIGHT: -	Customer Drawing	SCALE: 5:1	SHEET 3 OF 4

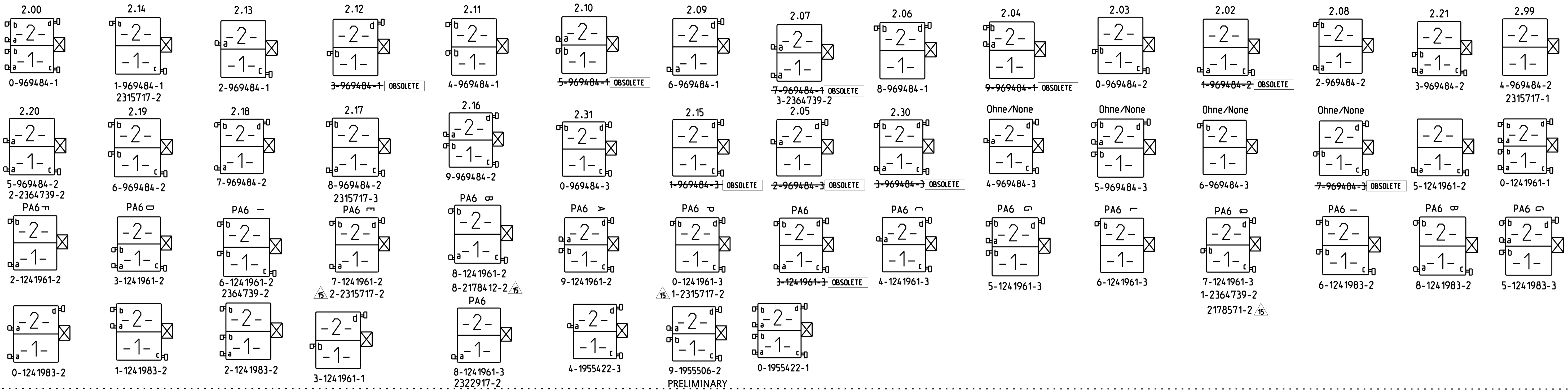
STE TE Connectivity

SIZE: A1 CAGE CODE: 00779 DRAWING NO: 1241961

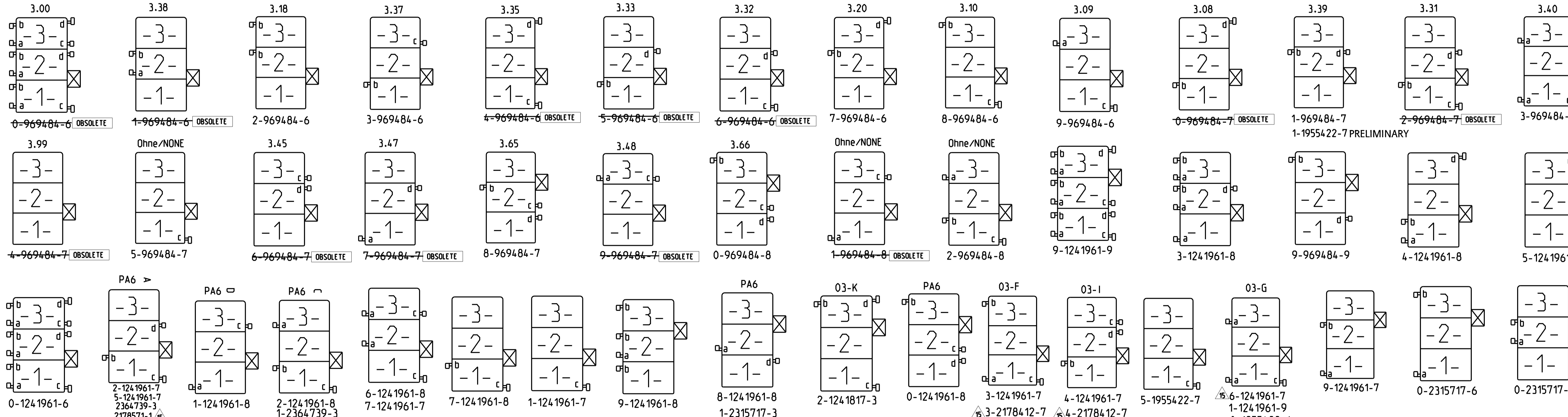
RESTRICTED TO: REV E4

REVISONS		DATE	DRW	APVD
1	SEE SHEET-01			

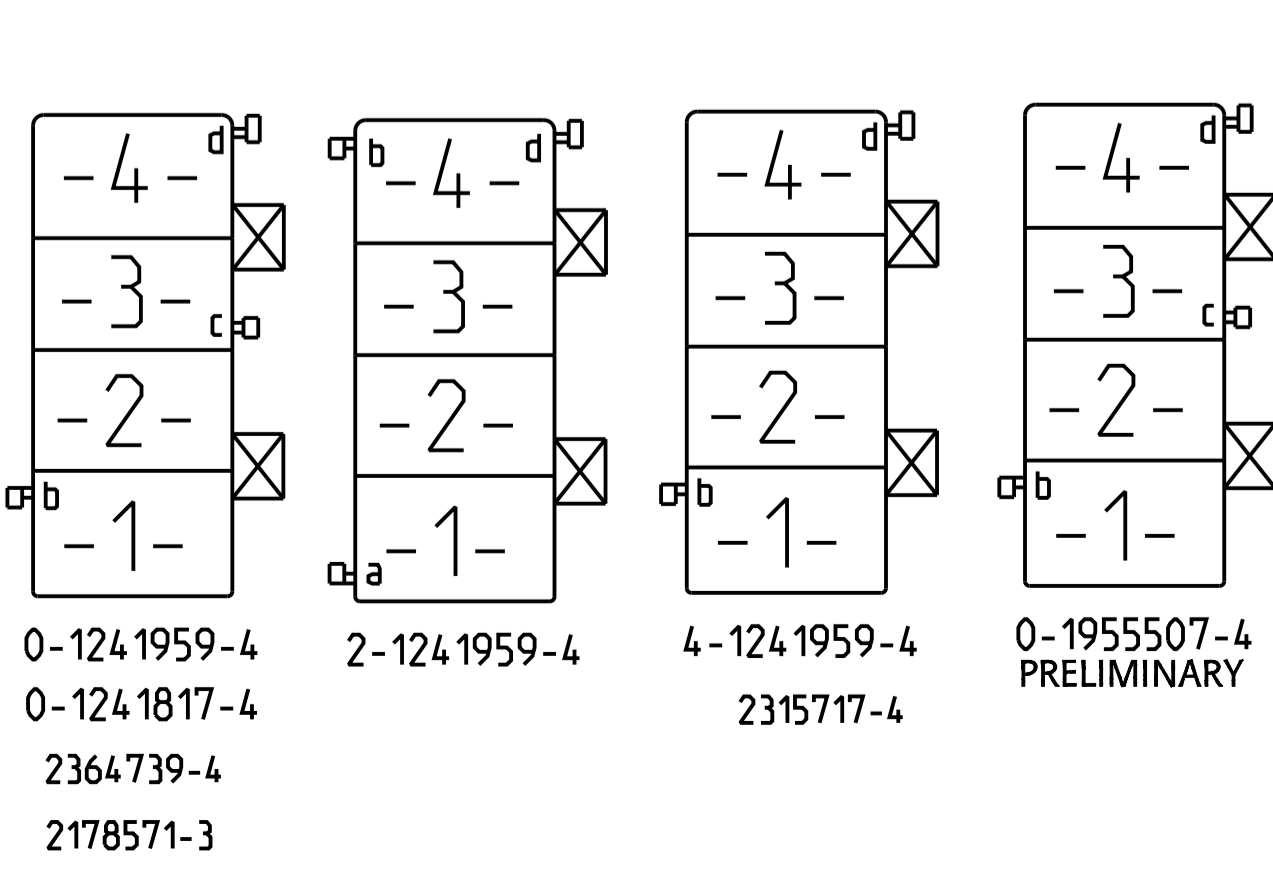
### 2 POSITION VARIANTS



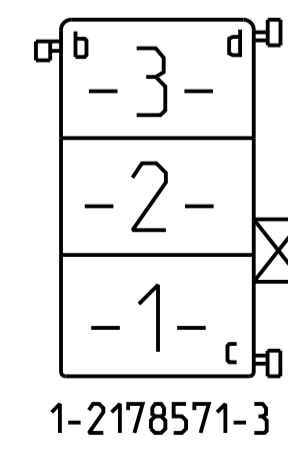
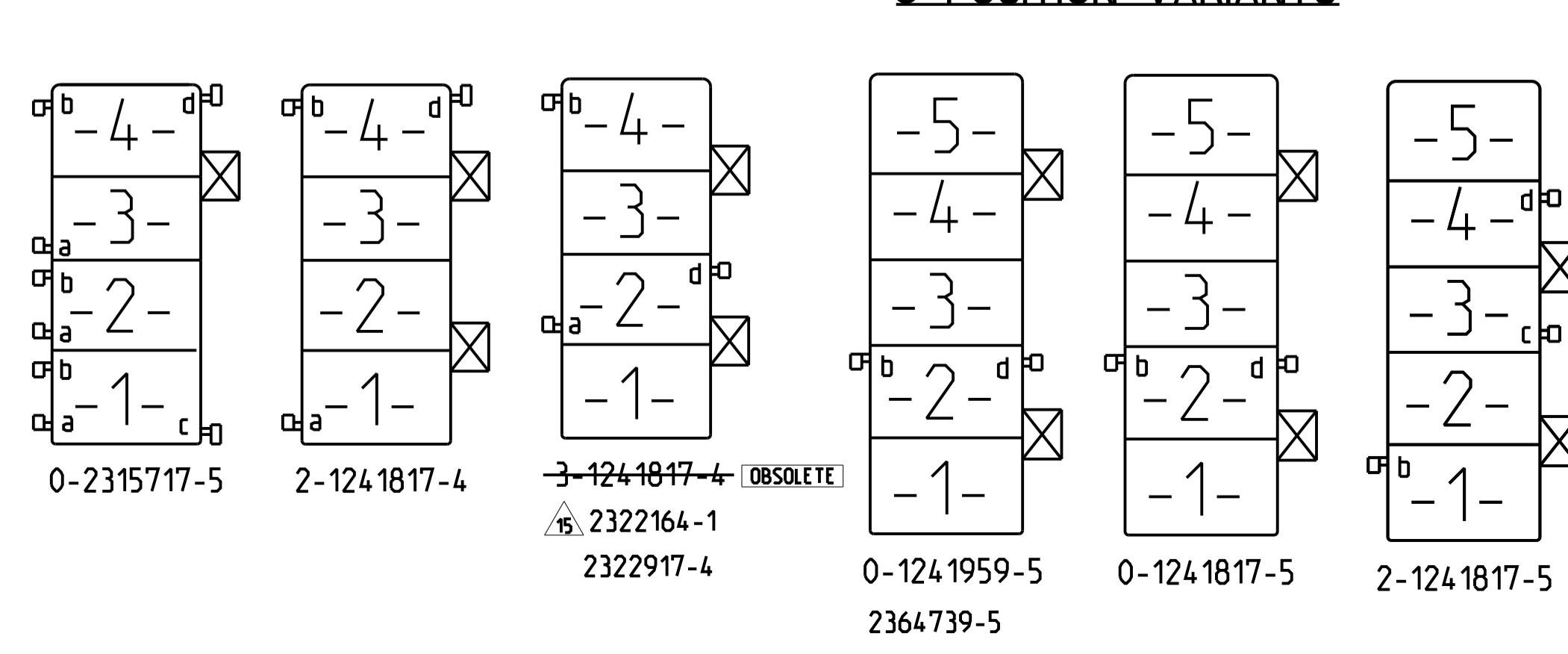
### 3 POSITION VARIANTS



### 4 POSITION VARIANTS



### 5 POSITION VARIANTS



THIS DRAWING IS A CONTROLLED DOCUMENT.		DRW: Kishor M. 18-10-07	 TE Connectivity STANDARD TIMER HSG. RAST 5 MARK II Standard Timer Gehäuse RAST 5 Mark II
DIMENSIONS: mm		CHK: K. Murtz 18-10-07	
TOLERANCES UNLESS OTHERWISE SPECIFIED:		APPD: T. Klöpper 18-10-07	NAME: STANDARD TIMER HSG. RAST 5 MARK II
0 PLC ±0.2 1 PLC ±0.2 2 PLC ±0.2 3 PLC ±0.2 4 PLC ±0.2 ANGLES ±°		PRODUCT SPEC: 108-18049	SIZE: A1
MATERIAL: SEE TABLES. SHEETS PAGE 2 AND 3 OF 4		WEIGHT: -	DRAWING NO: 00779
		Customer Drawing	SCALE: 5:1
			SHEET 4 OF 6
			REV E4

## X-ON Electronics

Largest Supplier of Electrical and Electronic Components

*Click to view similar products for [Automotive Connectors](#) category:*

*Click to view products by [TE Connectivity](#) manufacturer:*

Other Similar products are found below :

[003-018-000](#) [60403001](#) [60993906-B](#) [M902-2131](#) [M902-2161](#) [M902-2344](#) [72.330.1035.1](#) [73.353.4028.0](#) [F119300-B](#) [F166900](#) [F258300-B](#)  
[F358300-B](#) [F407400](#) [F444110](#) [F487000](#) [F509500B-B](#) [827153-1](#) [8N1515-32-24P](#) [9-1326729-8](#) [925474-1](#) [928905-1](#) [964562-4](#) [968782-1](#)  
[GT17SA-8DS-HU](#) [98891-1012](#) [98947-1016](#) [12004147](#) [12004475-L](#) [12010290](#) [12010309-B](#) [12015454](#) [12020219-B](#) [12041318-B](#) [12052225-](#)  
[L](#) [12052466](#) [12064869](#) [12004327-B](#) [12015308](#) [12015384](#) [12015909](#) [1-21030-1](#) [12041254](#) [12041318](#) [12047946-B](#) [12047957](#) [12047957-L](#)  
[12059473](#) [12066261](#) [12110546](#) [12110546-B](#)