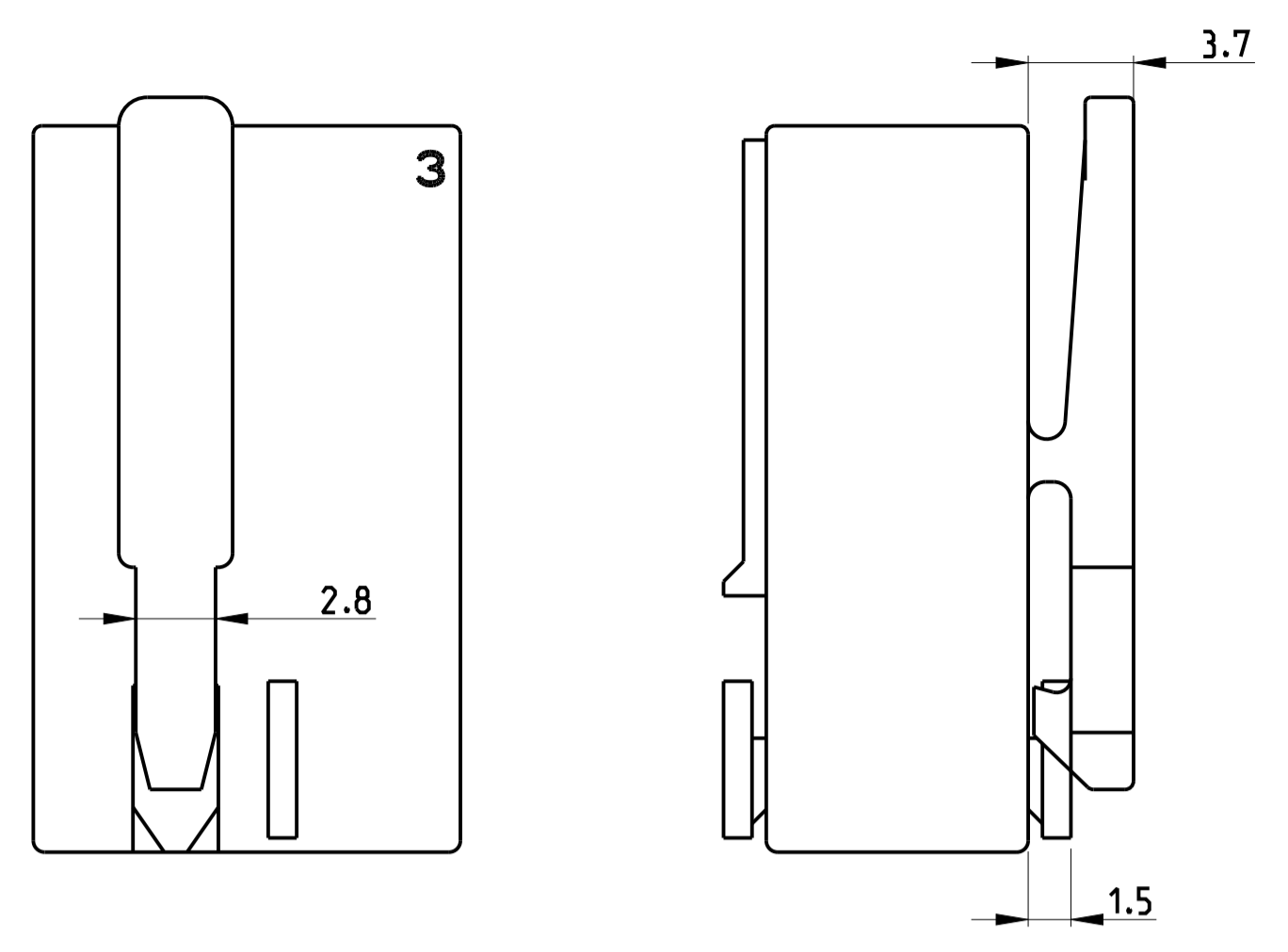
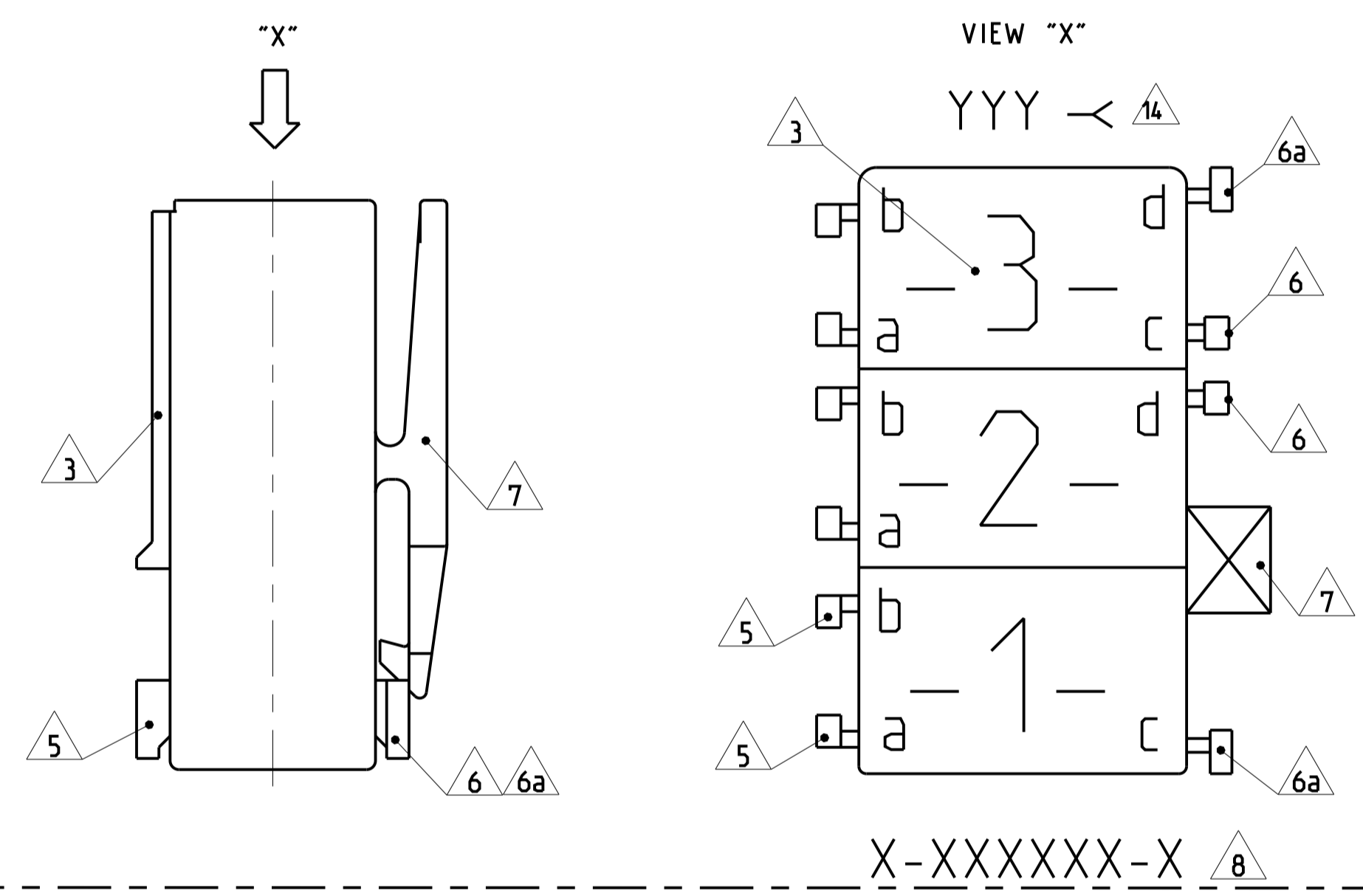


ONLY 5-1241961-7, 1-1241961-9, 7-1241961-7, 2345753-1



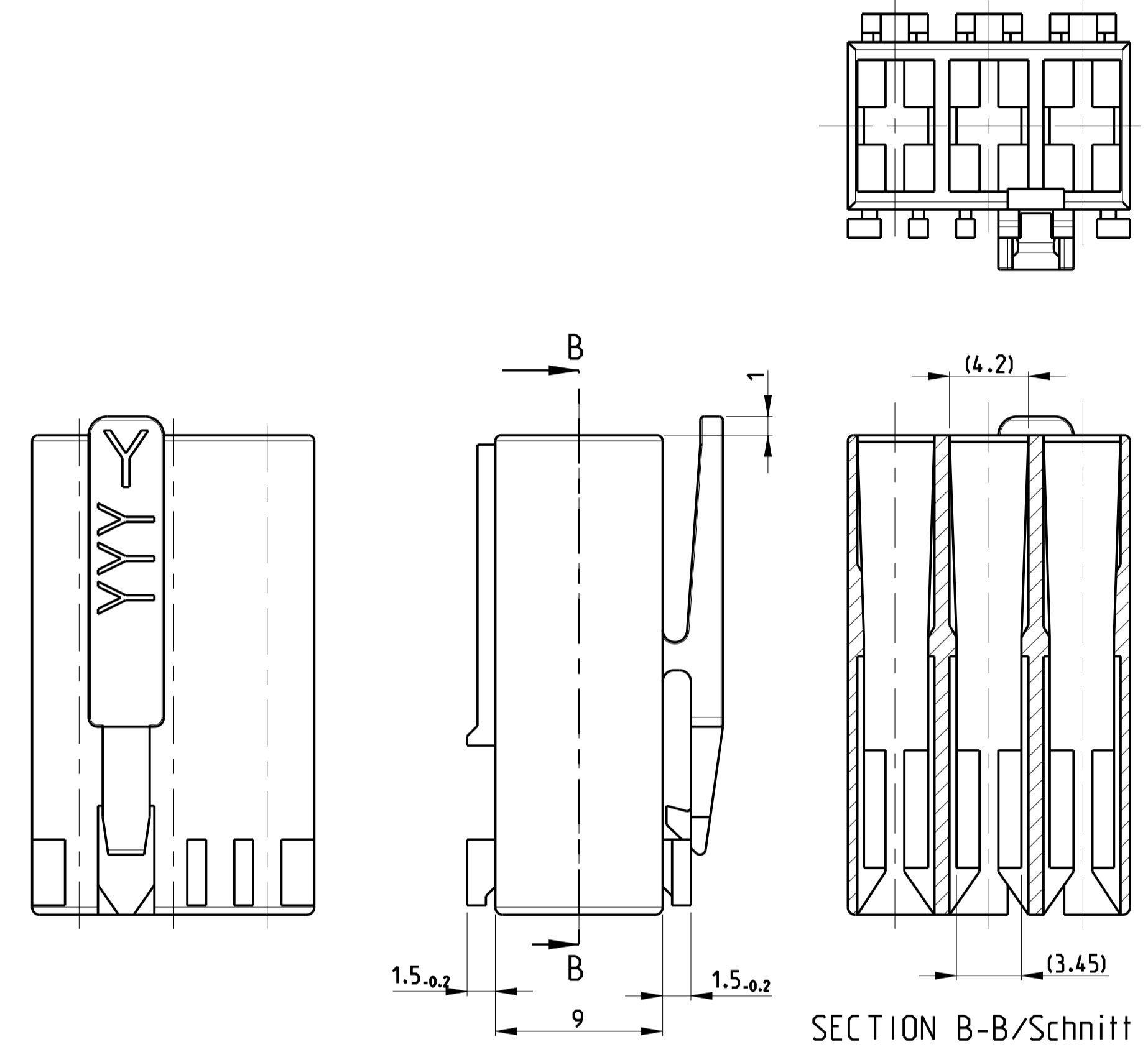
ALL OTHER DIMENSIONS SEE SHEET 1 OF 3

KEY LAYOUT DESCRIPTION



PAY ATTENTION !
DIFFERENT CAVITY GEOMETRY AND LOCKING LATCH OVERHANG
Bitte beachten !
Unterschiedliche Kammergeometrie und Rasthakenüberstand.

FOR 2 POS. AND 3 POS.



ALL OTHER DIMENSIONS SEE SHEET 1 OF 3
Alle anderen Masse siehe Seite 1 von 3

SPECIAL MATERIAL: UL94 V0								
2345753-1	3	6	1	15	10	PA66	NATURAL	C

SPECIAL MATERIAL								
1955507-4	4	6	1	20	15	PA66	NATURAL	1
9-1955506-2	2	6	1	10	5	UL 94 V0	NATURAL	1

PART NO	POS.	DIM C	DIM D	DIM A	DIM B	MATERIAL	COLOUR	REV./Rev.
6-1241961-7	3			15	10	PA 6 UL94V-2	NATURAL	1
4-1241961-7	3			15	10	PA 6 UL94V-2	NATURAL	A
3-1241961-7	3	4	0.5	15	10	PA 6 UL94V-2	NATURAL	A
1-1955422-7	3			15	10	PA 66 UNFILLED UL94 V0	NATURAL	A
5-1955422-7	3			15	10	PA 66 UNFILLED UL94 V0	NATURAL	A
4-1955422-3	2	6	1	10	5	PA 66 UNFILLED UL94 V0	NATURAL	A
2-1241817-3	3	4 or 6	0.5 or 1	15	10	PA 66 UL94 V-2	Green	E
0-1955422-6	3			15	10	PA 66 UNFILLED UL94 V0	NATURAL	A
8-1241961-8	3			15	10	PA 6 UL94V-2	natural	C
0-1241961-8	3			15	10	PA 6 UL94V-2	natural	A
8-1241961-3	2	4	0.5	10	5	PA 6 UL94V-2	NATURAL	C
3-1241961-1	2			10	5	PA 6 UL94V-2	NATURAL	C
0-1955422-1	2			10	5	PA 66 UNFILLED UL94 V0	NATURAL	A

SPECIAL VERSION: UL94 V0 & GWT 750NF							
2178571-3	4			20	15	PA 66. UL94 V-0	NATURAL
2178571-1	3	4	1	15	10	PA 66. UL94 V-0	NATURAL
2178571-2	2			10	5	PA 66. UL94 V-0	NATURAL
1-2178571-3	3			15	10	PA 66. UL94 V-0	NATURAL
PART NO	POS	DIM C	DIM D	DIM A	DIM B	MATERIAL	COLOUR Farbe

REVISIONS									
LOC	DIST	P	LTR	DESCRIPTION	DATE	DWN	APVD	SEE SHEET-01	
0-1241959-5	5			25	10				B
4-1241959-4	4	4	0.5	20	15	PA 6 UL94V-2	13	Natural/natur	A
2-1241959-4	4			20	15				B
0-1241959-4	4			20	15				
2-1241817-5	5	6	1	25	20	PA 6.6 UL94V-2		Natural/natur	
0-1241817-5	4	0.5		25	20			Black/schwarz	C
3-1241817-4	4			20	15			Violet/violett	
2-1241817-4	4	6	1	20	15			Grey/grau	
0-1241817-4	4	0.5		20	15			Natural/natur	
2-1241983-2				10	5			Green/grün	
1-1241983-2				10	5			Violet/violett	
0-1241983-2	2	4	0.5	10	5	PA 6 UL94V-2	13	TARGET RAL 4001	C
8-1241983-2				10	5			Yellow/gelb	
5-1241983-3				10	5			Black/schwarz	
6-1241983-2				10	5			Blue/blau	
				10	5			Red/rot	
9-1241961-7		4	0.5	15	10				
9-1241961-8		4	0.5	15	10				
6-1241961-8		4	0.5	15	10				
5-1241961-8		4 or 6	0.5 or 1	15	10				
4-1241961-8		4	0.5	15	10				
7-1241961-8		4	0.5	15	10				
1-1241961-8		4 or 6	0.5 or 1	15	10				
3-1241961-8		6	1	15	10				
2-1241961-8				15	10				
2-1241961-7				15	10				
1-1241961-7		4	0.5	15	10				
9-1241961-9				15	10				
0-1241961-6				15	10				
3-1241961-3				10	5				
2-1241961-2				10	5				
5-1241961-2				10	5				
4-1241961-3				10	5				
7-1241961-2				10	5				
7-1241961-3				10	5				
6-1241961-3		2	4	0.5	10				
3-1241961-2				10	5				
5-1241961-3				10	5				
6-1241961-2				10	5				
0-1241961-3				10	5				
8-1241961-2				10	5				
9-1241961-2				10	5				
0-1241961-1				10	5				
9-969484-9	3	6	1	15	10	PA 6.6 UL94V-2		Yellow/gelb	
2-969484-8				15	10				
4-969484-8		4 or 6	0.5 or 1	15	10				
0-969484-8				15	10				
9-969484-7		4	0.5	15	10				
8-969484-7				15	10				
7-969484-7				15	10				
6-969484-7				15	10				
5-969484-7		4	0.5	15	10				
4-969484-7				15	10				
3-969484-7		4	0.5	15	10				
2-969484-7		4	0.5	15	10				
1-969484-7	3	4	0.5	15	10				
0-969484-7				15	10				
9-969484-6		6	1	15	10				
8-969484-6				15	10				
7-969484-6				15	10				
6-969484-6				15	10				
5-969484-6				15	10				
4-969484-6				15	10				
3-969484-6		6	1	15	10				
2-969484-6				15	10				
1-969484-6				15	10				
0-969484-6				15	10				
9-969484-3				10	5				
8-969484-3				10	5				
7-969484-3				10	5				
6-969484-3		4	0.5	10	5				
5-969484-3				10	5				
4-969484-3				10	5				
3-969484-3				10	5				
2-969484-3				10	5				
1-969484-3				10	5				
0-969484-3				10	5				
9-969484-2				10	5				
8-969484-2				10	5				
7-969484-2				10	5				
6-969484-2		4	0.5	10	5				
5-969484-2				10	5				
4-969484-2				10	5				
3-969484-2				10	5				
2-969484-2				10	5				
1-969484-2				10	5				
0-969484-2		6	1	10	5				
9-969484-1		4	1	10	5				
8-969484-1				10	5				
7-969484-1		6	1	10	5				
6-969484-1				10	5				
5-969484-1		6	1	10	5				
4-969484-1				10	5				
3-969484-1				10	5				
2-969484-1		4	0.5	10	5				
1-969484-1				10	5				
0-969484-1				10	5				

THIS DRAWING IS A CONTROLLED DOCUMENT. DWG: Kishor M. 18-10-07
CHK: K. Murtz. 18-10-07
APPD: T. Klenner. 18-10-07

DIMENSIONS: mm
TOLERANCES UNLESS OTHERWISE SPECIFIED:
0 PLC ±0.2
1 PLC ±0.2
2 PLC ±0.2
3 PLC ±0.2
4 PLC ±0.2
5 FINISH ±0.1

MATERIAL: SEE TABLES. SHEETS PAGE 2 AND 3 OF 4
WEIGHT: -
Customer Drawing

STANDARD TIMER HSG. RAST 5 MARK II
Standard Timer Gehäuse RAST 5 Mark II

SIZE: A1
CODE: 00779
DRAWING NO: 108-18049
REVISION: 2 OF 4
SCALE: 5:1
REV: E4

LOC	DIST	REVISIONS			
P	LTR	DESCRIPTION	DATE	DWN	APVD
		SEE SHEET 1			

SPECIAL VERSION: UL94 V0 & GWEPT 750°C NF

Part No.	POS	Dim C	Dim D	Dim A	Dim B	Material	Colour	Rev.
2364739-5	5	4	0.5	25	20	PA66	BLUE	C
2364739-4	4	4	0.5	20	15	PA66	BLUE	C
1-2364739-3	3	4	0.5	15	10	PA66	BLUE	C
2364739-3	3	4	0.5	15	10	PA66	BLUE	C
1-2364739-2	2	4	0.5	10	5	PA66	BLUE	C
2364739-2	2	4	0.5	10	5	PA66	BLUE	C
3-2364739-2	2	4	0.5	10	5	PA66	BLUE	C
2-2364739-2	2	4	0.5	10	5	PA66	BLUE	C

SPECIAL VERSION: UL94 V0 & GWT 750 NF & CTI 350

Part No.	POS	Dim C	Dim D	Dim A	Dim B	Material	Colour	Rev.
5-1241961-7	3	6	1	15	10	PA66	NATURAL	A
1-1241961-9	3	6	1	15	10	PA66	NATURAL	A
7-1241961-7	3	6	1	15	10	PA66	NATURAL	A

SPECIAL VERSION: UL94 V0 & GWT 750 NF

Part No.	POS	Dim C	Dim D	Dim A	Dim B	Material	Colour	Rev.
2322164-1	4	4	0.5	20	15	PA66	NATURAL	1

SPECIAL VERSION: UL94 V2 & GWT 750 NF

Part No.	POS	Dim C	Dim D	Dim A	Dim B	Material	Colour	Rev.
6-2178575-7	3	4	0.5	15	10	PA6 GF15	NATURAL	A

SPECIAL VERSION: UL94 V0 & GWT 750 NF

Part No.	POS	Dim C	Dim D	Dim A	Dim B	Material	Colour	Rev.
3-2178412-7	3	6	1	15	10	PA66	NATURAL	1
4-2178412-7	3	6	1	15	10	UL94 V0 & GWT 750 NF	NATURAL	1
8-2178412-2	2	6	1	10	5	UL94 V0 & GWT 750 NF	NATURAL	1

UL94 V0 & GWT 750 NF

Part No.	POS	Dim C	Dim D	Dim A	Dim B	Material	Colour	Rev.
2322917-4	4	4	0.5	20	15	PA66	NATURAL	C
2322917-2	2	4	0.5	10	5	PA66	NATURAL	C
2315717-1	2	4	0.5	10	5	PA66	NATURAL	C
2315717-2	2	4	0.5	10	5	PA66	NATURAL	C
2315717-3	2	4	0.5	10	5	PA66	NATURAL	C
1-2315717-2	2	4	0.5	10	5	UL94 V0 & GWT 750 NF	NATURAL	1
2-2315717-2	2	4	0.5	10	5	UL94 V0 & GWT 750 NF	NATURAL	1
2315717-4	4	4	0.5	20	15	PA66	NATURAL	C
2315717-5	4	4	0.5	20	15	PA66	NATURAL	C
2315717-6	3	4	0.5	15	10	PA66	NATURAL	C
2315717-7	3	4	0.5	15	10	PA66	NATURAL	C
1-2315717-3	3	4	0.5	15	10	PA66	NATURAL	E

THIS DRAWING IS A CONTROLLED DOCUMENT.

DW	Kishor M	18-10-07
CHK	K. Muniz	18-10-07
APPD	T. Klennner	18-10-07

STANDARD TIMER HSG. RAST 5 MARK II
Standard Timer Gehäuse RAST 5 Mark II

TE Connectivity

PRODUCT SPEC: 108-18049
APPLICATION SPEC: -

SIZE: A1 CAGE CODE: 00779 DRAWING NO: 1241961

WEIGHT: -

Customer Drawing

SCALE: 5:1 SHEET 3 OF 4 REV E4

X-ON Electronics

Largest Supplier of Electrical and Electronic Components

Click to view similar products for [Automotive Connectors](#) category:

Click to view products by [TE Connectivity](#) manufacturer:

Other Similar products are found below :

[003-018-000](#) [60403001](#) [60993906-B](#) [M902-2131](#) [M902-2161](#) [M902-2344](#) [72.330.1035.1](#) [73.353.4028.0](#) [F119300-B](#) [F166900](#) [F258300-B](#)
[F358300-B](#) [F407400](#) [F444110](#) [F487000](#) [F509500B-B](#) [827153-1](#) [8N1515-32-24P](#) [9-1326729-8](#) [925474-1](#) [928905-1](#) [964562-4](#) [968782-1](#)
[GT17SA-8DS-HU](#) [98891-1012](#) [98947-1016](#) [12004147](#) [12004475-L](#) [12010290](#) [12010309-B](#) [12015454](#) [12020219-B](#) [12041318-B](#) [12052225-](#)
[L](#) [12052466](#) [12064869](#) [12004327-B](#) [12015308](#) [12015384](#) [12015909](#) [1-21030-1](#) [12041254](#) [12041318](#) [12047946-B](#) [12047957](#) [12047957-L](#)
[12059473](#) [12066261](#) [12110546](#) [12110546-B](#)