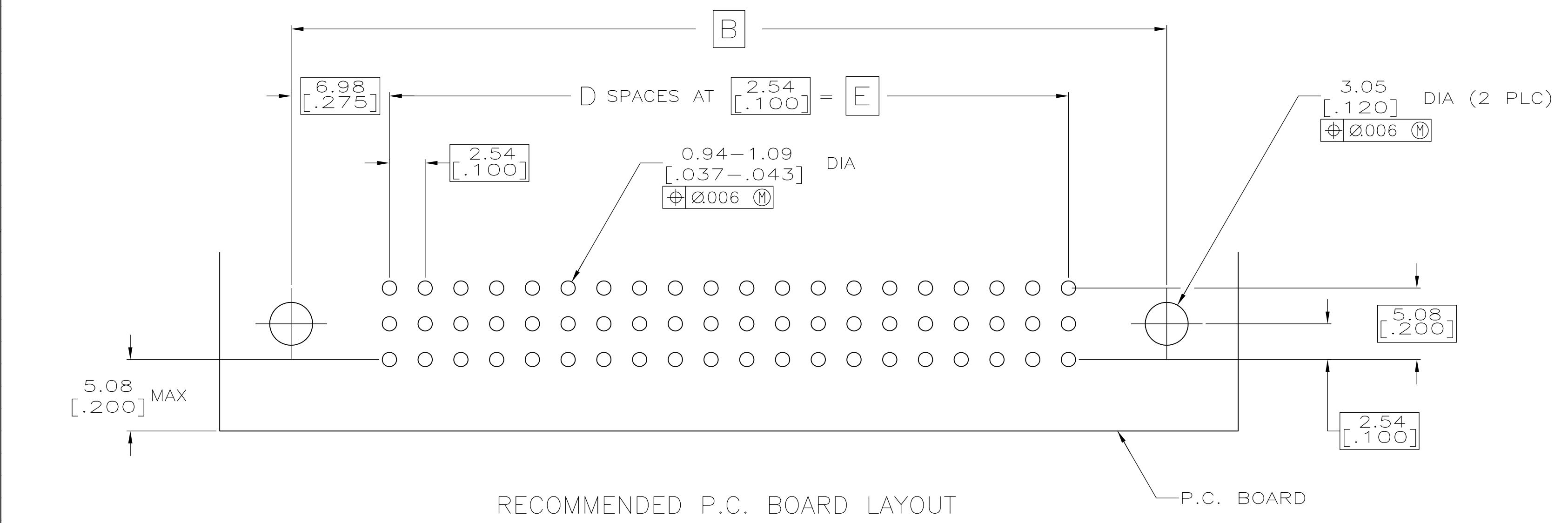
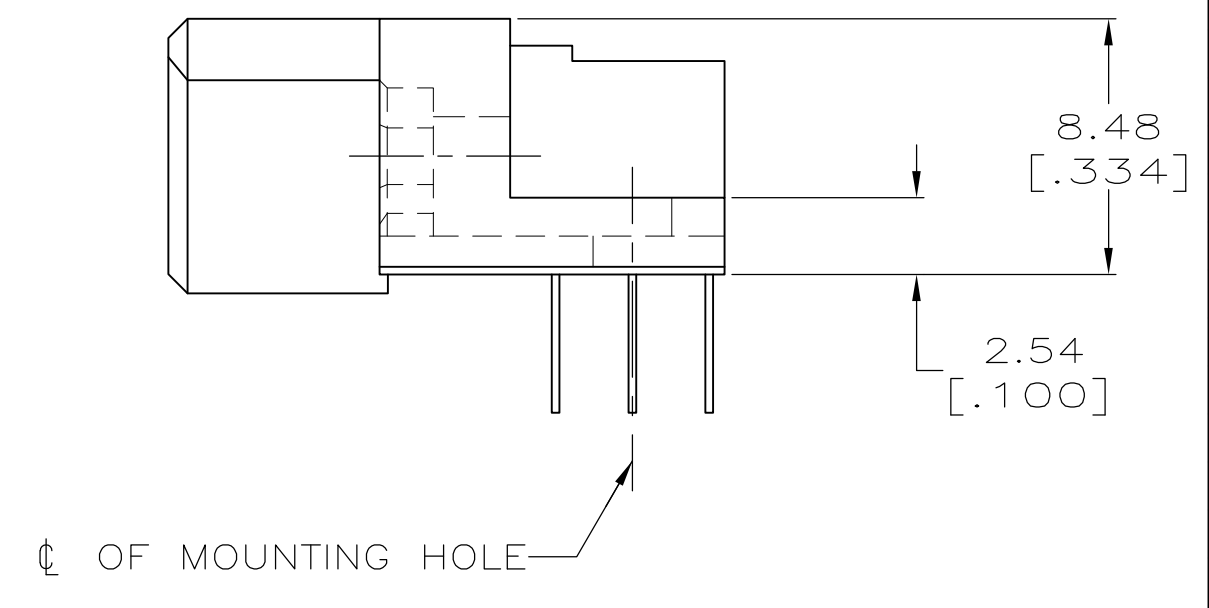
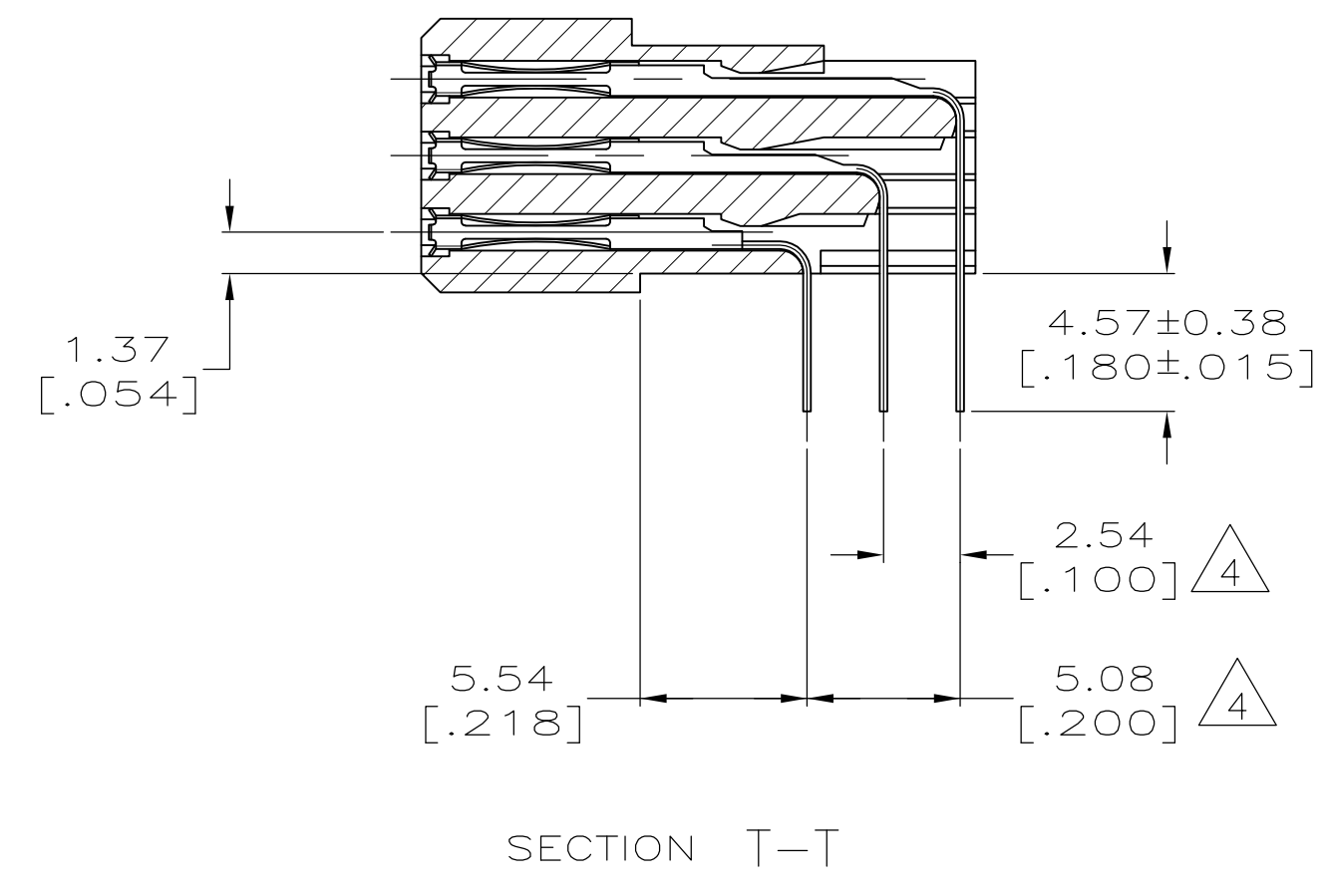
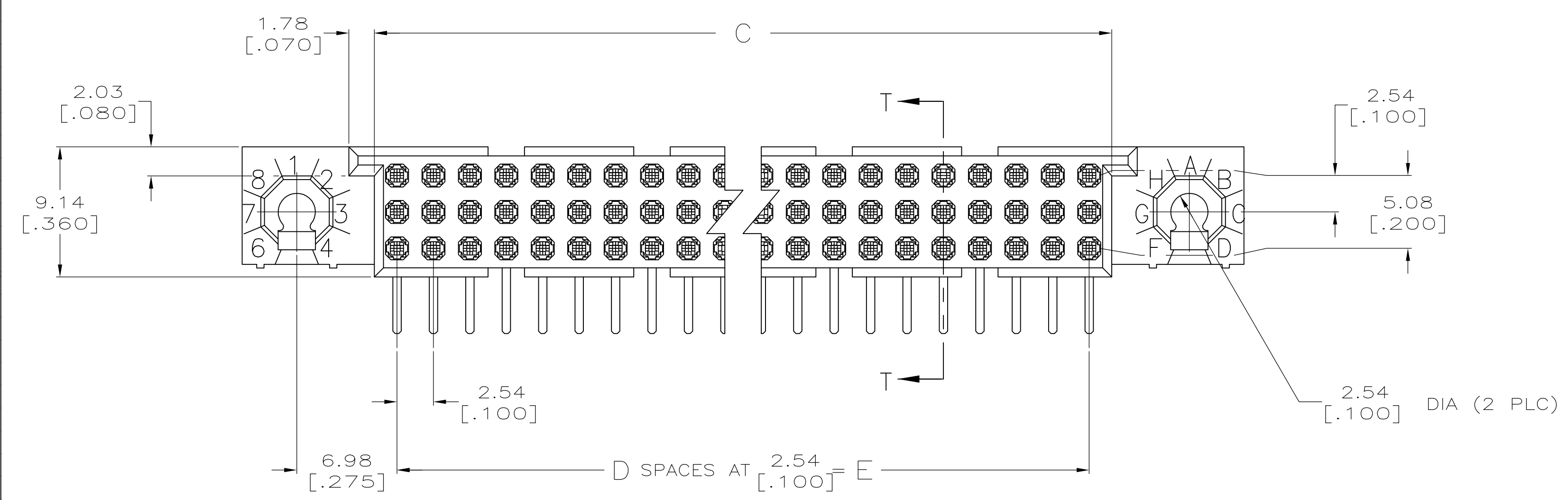
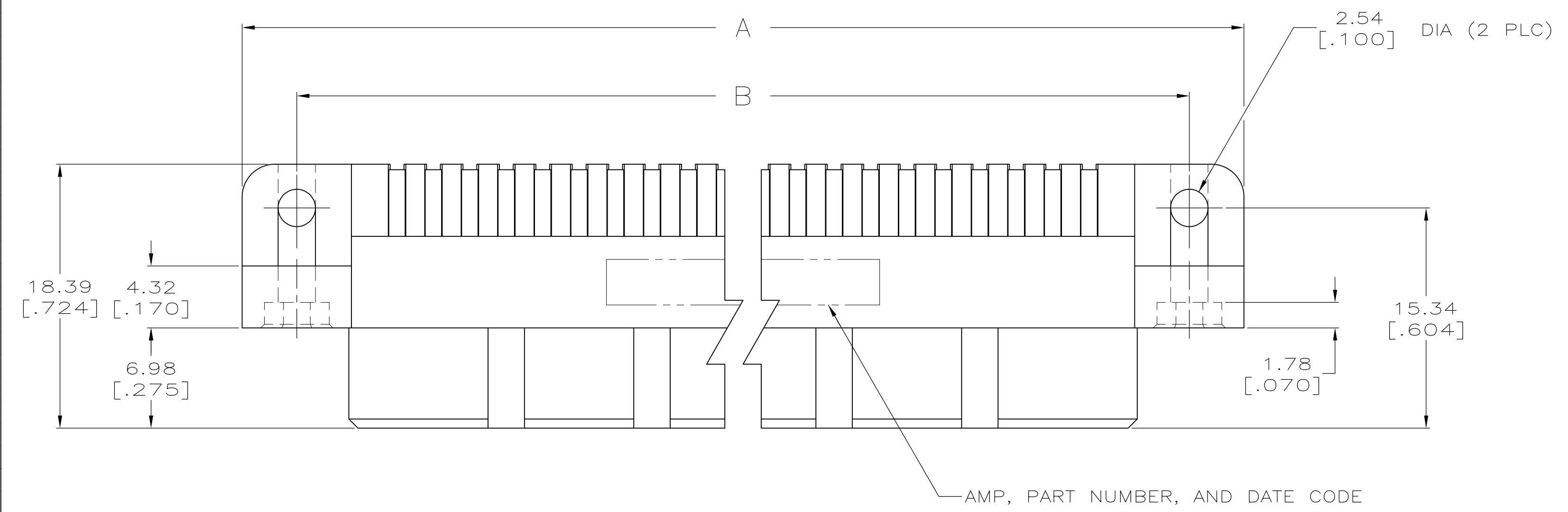


LOC		DIST		REVISIONS			
P	LTR	DESCRIPTION	DATE	DWN	APVD		
A		PER RTS 804180.1	13JUN2013	KH	AS		


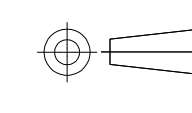


THIS DRAWING IS A CONTROLLED DOCUMENT.		DWN: KIRAN HOLAL 13JUN2013	TE Connectivity
DIMENSIONS: mm [INCHES]		CHK: ALEX SHARPE 13JUN2013	
TOLERANCES UNLESS OTHERWISE SPECIFIED:		APVD: ALEX SHARPE 13JUN2013	NAME: HDI, 3 ROW, RECEPTACLE ASSEMBLY, 4.57 [.180] LONG SOLDER TAILS, 0.00076 [.000030] GOLD PLATE, NO LUBRICANT
0 PLC ± -		PRODUCT SPEC	APPLICATION SPEC
1 PLC ± -			
2 PLC ± -			
3 PLC ± 0.13 [.005]			
4 PLC ± -			
ANGLES ± -			
MATERIAL	FINISH	SIZE: A1	WEIGHT: -
		CAGE CODE: 00779	DRAWING NO: 598213
		CUSTOMER DRAWING	

LOC	DIST	REVISIONS					
AD	25	REV	LYR	DESCRIPTION	DATE	DWN	APVD
-	-	-	-	SEE SHEET 1	-	-	-

- 1 HOUSING MATERIAL: THERMOPLASTIC, COLOR-NATURAL
- 2 CONTACT MATERIAL: COPPER ALLOY.
- 3 CONTACT FINISH: .00127-.00254 [.000050-.000100] NICKEL UNDERPLATE ALL OVER; .00076 [.000030] GOLD PLATE IN CONTACT AREA, TIN-LEAD PLATED SOLDER TAILS, NO LUBRICANT.
- 4 SOLDER TAILS MUST FIT HOLE PATTERN AS SHOWN ON THE RECOMMENDED P.C. BOARD LAYOUT.
- 5 DIMENSIONS IN BRACKETS ARE IN INCHES.
- 6 HOUSINGS WITH CENTER MOUNTING IS RECOMMENDED FOR ASSEMBLIES HAVING 75 CONTACTS PER ROW OR MORE.

137.16 [5.400]	54	140.31 [5.524]	151.13 [5.950]	158.75 [6.250]	165	598213-8
99.06 [3.900]	39	102.21 [4.024]	113.03 [4.450]	120.65 [4.750]	120	598213-5
E	D	C	B	A	POSN	PART NUMBER

THIS DRAWING IS A CONTROLLED DOCUMENT.		DWN KIRAN HOLAL 13JUN2013	 TE Connectivity
DIMENSIONS: mm [INCHES]		CHK ALEXANDER SHARPE 13JUN2013	
TOLERANCES UNLESS OTHERWISE SPECIFIED:		APPD ALEXANDER SHARPE 13JUN2013	NAME HDI, 3 ROW, RECEPTACLE ASSEMBLY, 4.57 [180] LONG SOLDER TAILS, .00076 [.000030] GOLD PLATE, NO LUBRICANT
0 PLC ± - 1 PLC ± - 2 PLC ± - 3 PLC ± 0.13 [.005] 4 PLC ± - ANGLES ± -		PRODUCT SPEC	APPLICATION SPEC
		SIZE A1	CAGE CODE C=598213
MATERIAL		WEIGHT	RESTRICTED TO
FINISH		CUSTOMER DRAWING	SCALE 4:1 SHEET 2 OF 2 REV A

## X-ON Electronics

Largest Supplier of Electrical and Electronic Components

*Click to view similar products for te connectivity manufacturer:*

Other Similar products are found below :

[570416-000](#) [CLTEQ-M81CE-SSRELAY-4-20V](#) [D38999/24FJ4AN](#) [358838-000](#) [4-1195131-0](#) [650069-000](#) [SMD100-2](#) [CB-1022B-78](#)  
[RM707012](#) [RP410012](#) [MMS42](#) [1-640426-8](#) [2EDL4CM](#) [DTS20W19-11PD-3028-LC](#) [RM202615](#) [NC6-P104-06](#) [MSPS103B](#) [DTS26F21-41AE](#) [DTS26F21-41PE-LC](#) [DTS26F21-11SE-3028-LC](#) [1932144-1](#) [293545-4](#) [LVR125S](#) [MS27466T25F4PB](#) [CKB-38-78010](#)  
[1206SFF150F/63-2](#) [D38999/20JB35HA](#) [D38999/24WJ20PA](#) [1754138-1](#) [TE1500A2R2J](#) [DTS24F25-29PC-3028-LC](#) [D38999/24WG11HA](#)  
[D38999/24WG11HN](#) [MS27467T21F11H](#) [DJT16E21-11HA](#) [1206SFH150F/24-2](#) [DTS24F19-11SC-3028-LC](#) [DTS24F21-41HN-LC](#)  
[DTS24F21-41AN](#) [DTS24F21-41PN-LC](#) [RP330024](#) [MS27467T21F35J](#) [MS27467T21F11J](#) [MS27467T21F16H-LC](#) [MS27467T21F35H](#)  
[MS27467T21F41H-LC](#) [DJT16E21-11PA-LC](#) [DJT16E21-11HA-LC](#) [DJT16E21-11AA](#) [MS27467T21B11JA](#)