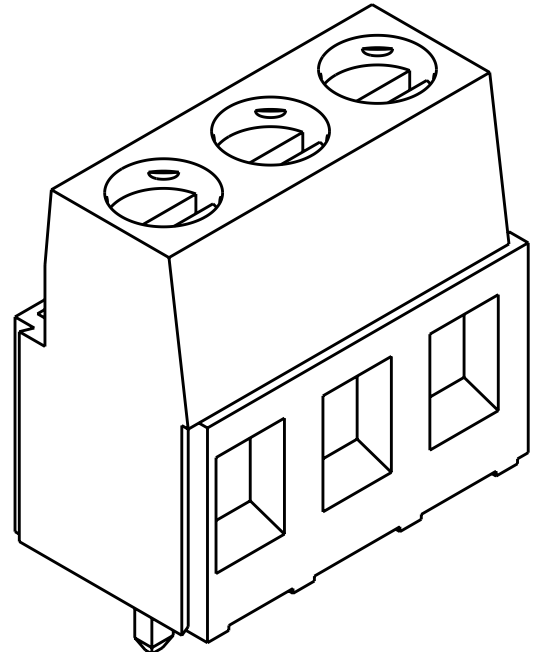
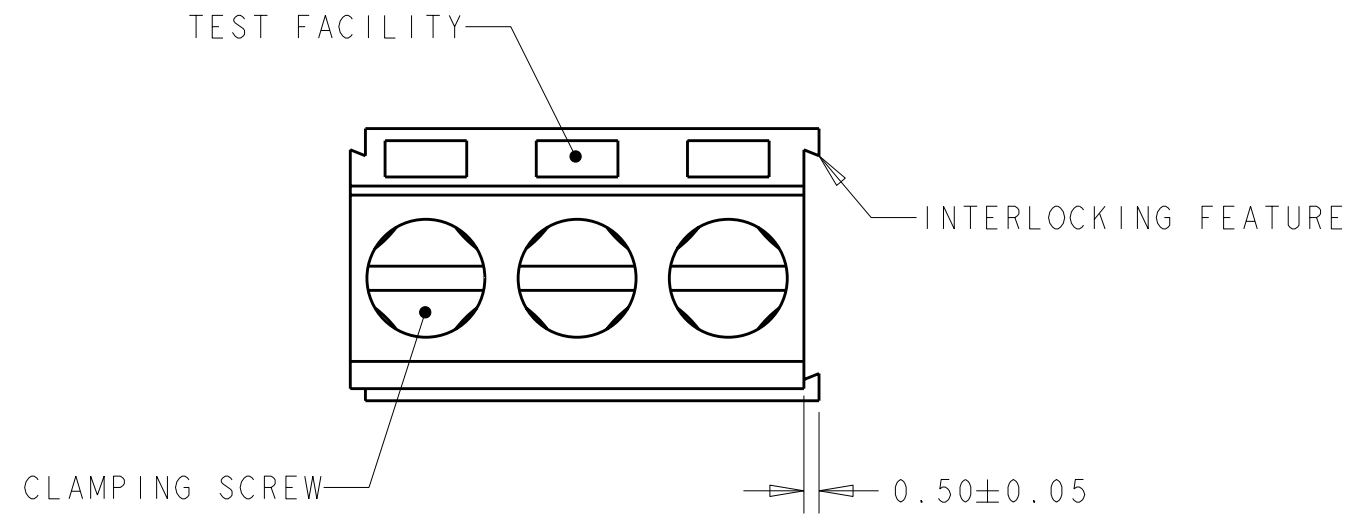
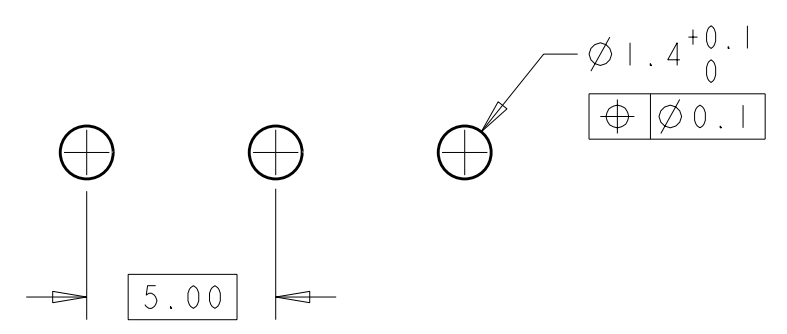
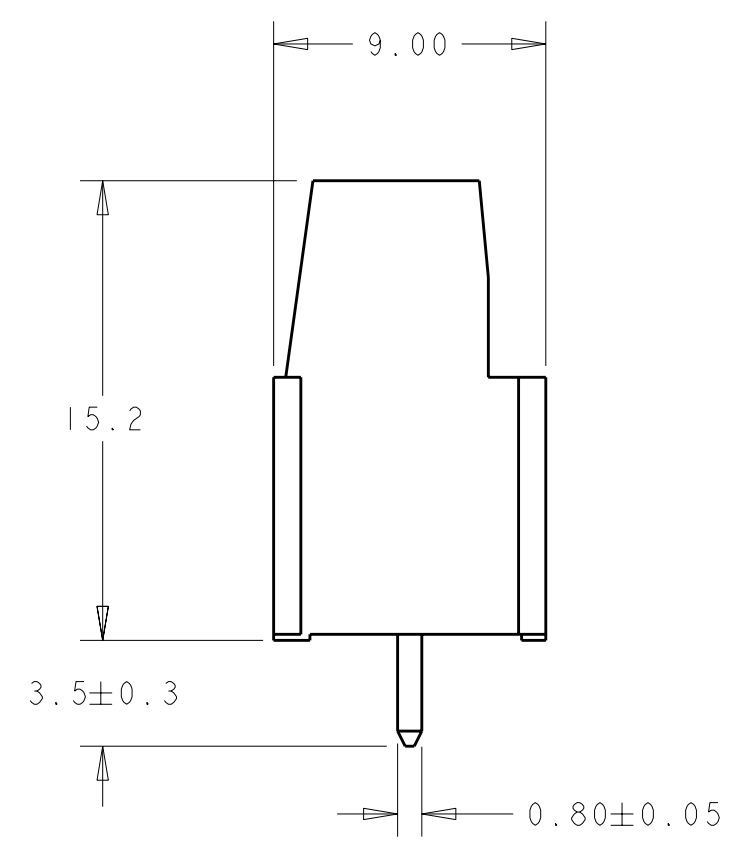
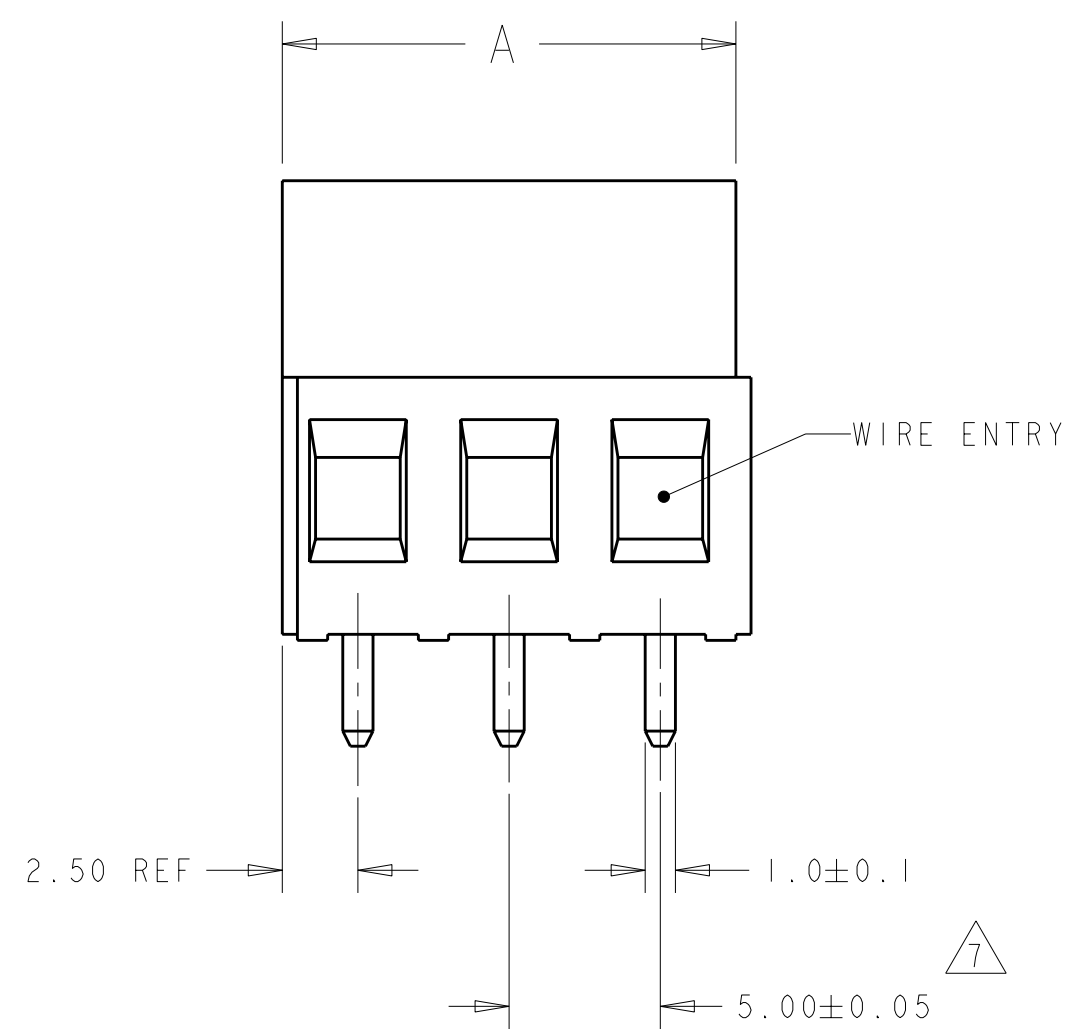


THIS DRAWING IS UNPUBLISHED. RELEASED FOR PUBLICATION 20
 © COPYRIGHT 20 BY - ALL RIGHTS RESERVED.

LOC	DIST	REVISIONS			
P	LTR	DESCRIPTION	DATE	DWN	APVD
FT	0	C4	REVISIED PER ECO-11-005027	16MAR2011	RK HMR



796683-3 AS SHOWN



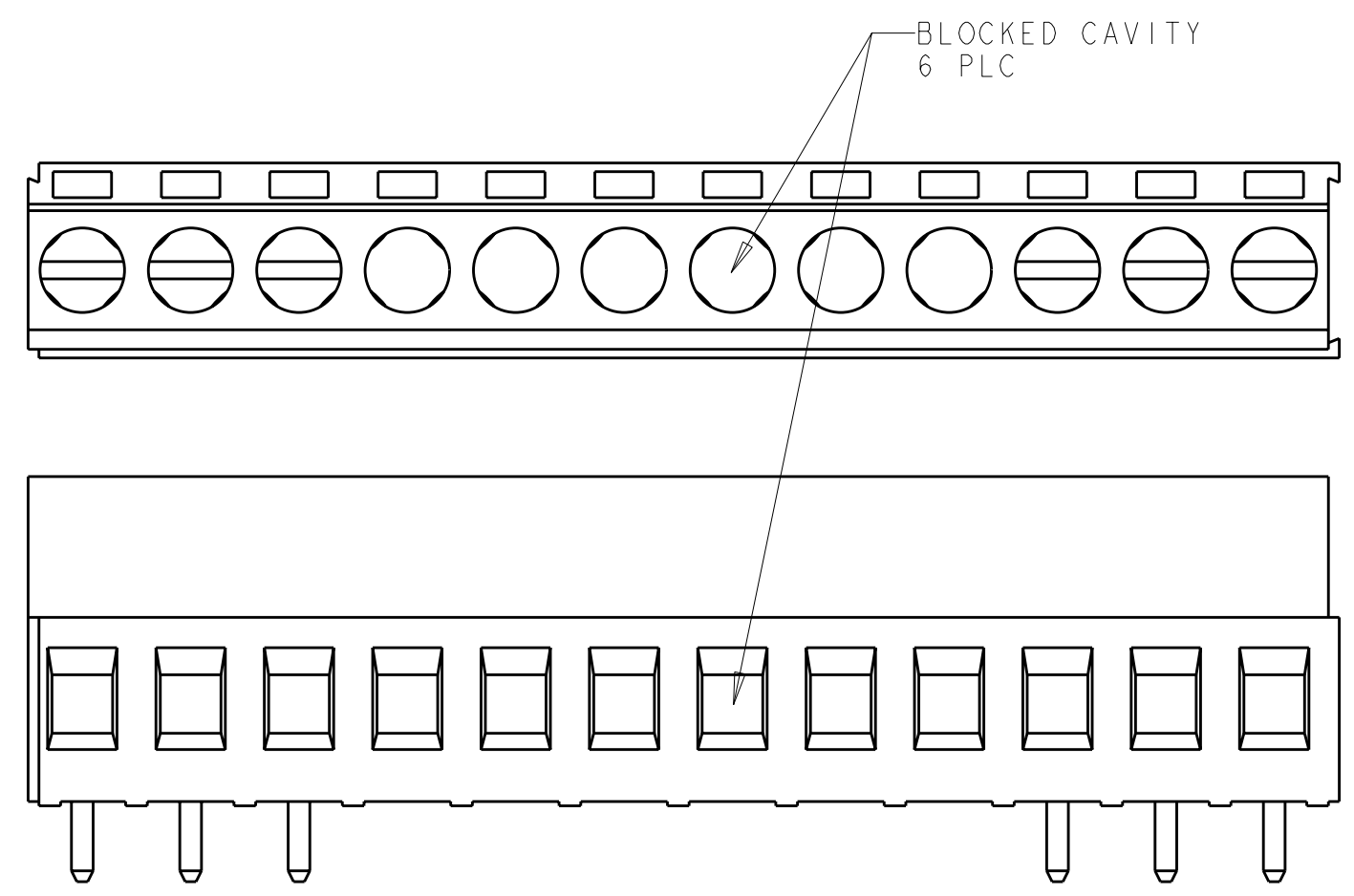
RECOMMENDED PC BOARD LAYOUT
SCALE 5:1

1, 2, 3, 10, 12	-	SEE DETAIL M	60.00	12	3-796683-1
1, 2, 3, 10, 12	-	-	60.00	12	3-796683-0
-	-	SEE DETAIL L	25.00	5	2-796683-9
-	8	SEE DETAIL K	30.00	6	2-796683-8
-	-	SEE DETAIL J	60.00	12	2-796683-7
-	-	SEE DETAIL H	60.00	12	2-796683-6
-	-	-	125.00	25	2-796683-5
-	-	-	120.00	24	2-796683-4
-	-	-	115.00	23	2-796683-3
-	-	-	110.00	22	2-796683-2
-	-	-	105.00	21	2-796683-1
-	-	-	100.00	20	2-796683-0
-	-	-	95.00	19	1-796683-9
-	-	-	90.00	18	1-796683-8
-	-	-	85.00	17	1-796683-7
-	-	-	80.00	16	1-796683-6
-	-	-	75.00	15	1-796683-5
-	-	-	70.00	14	1-796683-4
-	-	-	65.00	13	1-796683-3
-	-	-	60.00	12	1-796683-2
-	-	-	55.00	11	1-796683-1
-	-	-	50.00	10	1-796683-0
-	-	-	45.00	9	796683-9
-	-	-	40.00	8	796683-8
-	-	-	35.00	7	796683-7
-	-	-	30.00	6	796683-6
-	-	-	25.00	5	796683-5
-	-	-	20.00	4	796683-4
-	-	-	15.00	3	796683-3
-	-	-	10.00	2	796683-2
SELECT LOAD IN CIRCUITS	MARKING	SPECIAL	A	POSN	PART NUMBER

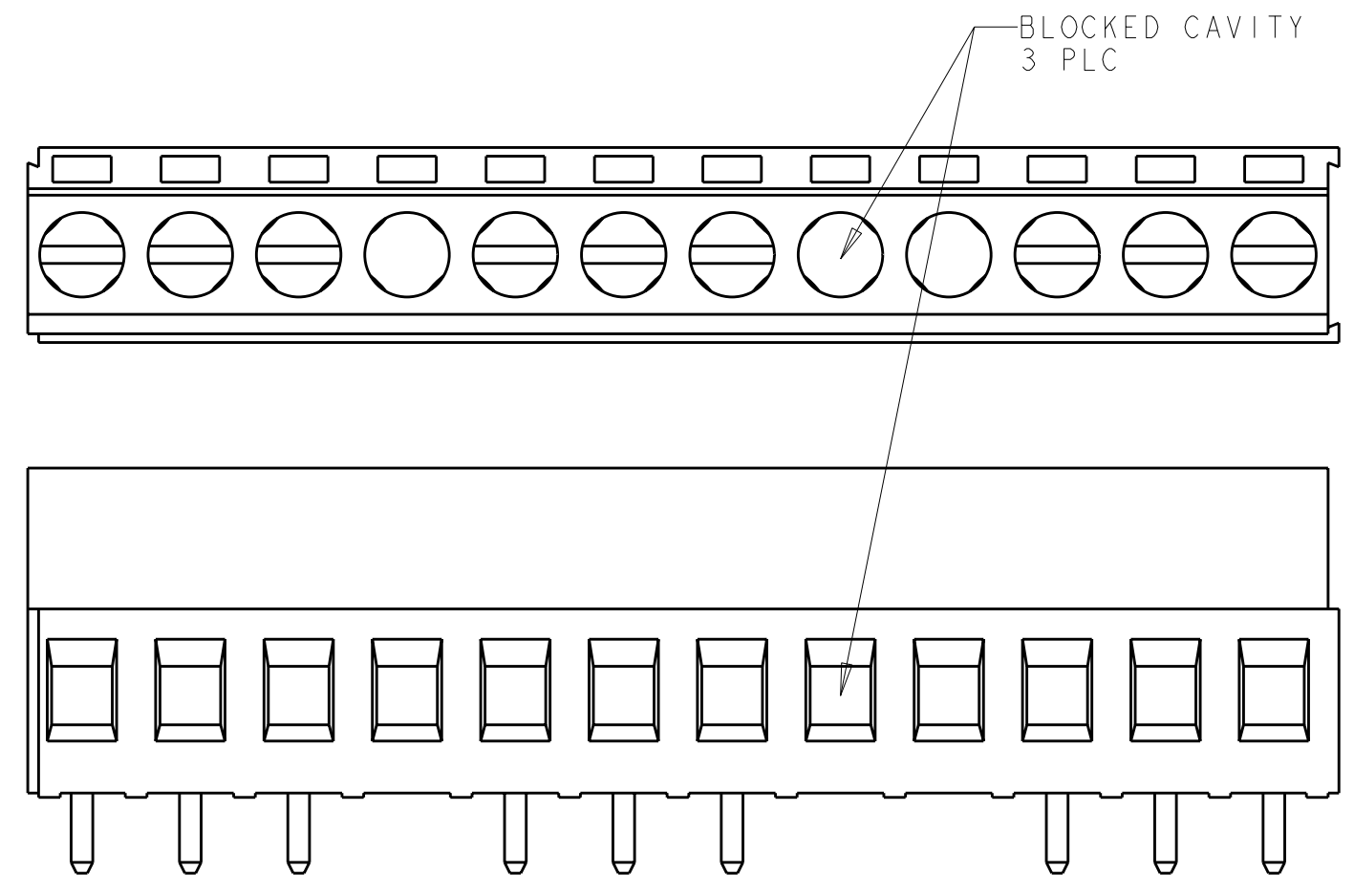
THIS DRAWING IS A CONTROLLED DOCUMENT.		DWN 05APR2001 E. ZANOLINI	TE Connectivity		
DIMENSIONS: mm		CHK 05APR2001 D. BIEVENOUR			
TOLERANCES UNLESS OTHERWISE SPECIFIED:		APVD 05APR2001 D. BIEVENOUR	NAME TERMINAL BLOCK PCB MOUNT W/INTERLOCK, 5.00mm PITCH		
0 PLC ±0 1 PLC ±0.3 2 PLC ±0.25 3 PLC ±0 4 PLC ±0		PRODUCT SPEC	SIZE	CAGE CODE	DRAWING NO
ANGLES ±2°		APPLICATION SPEC	A2	00779	C-796683
FINISH		WEIGHT	RESTRICTED TO		
MATERIAL		CUSTOMER DRAWING	SCALE 2:1	SHEET 1 OF 2	REV C4

THIS DRAWING IS UNPUBLISHED. RELEASED FOR PUBLICATION 20
 © COPYRIGHT 20 BY - ALL RIGHTS RESERVED.

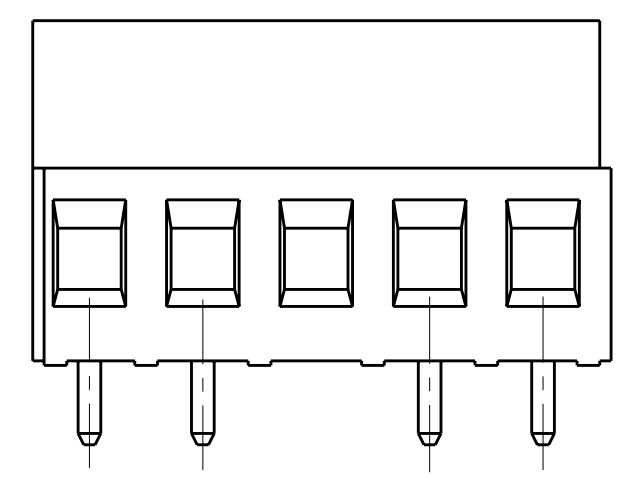
LOC	DIST	REVISIONS			
P	LTR	DESCRIPTION	DATE	DWN	APVD
FT	0	-	SEE SHEET 1	-	-



DETAIL H

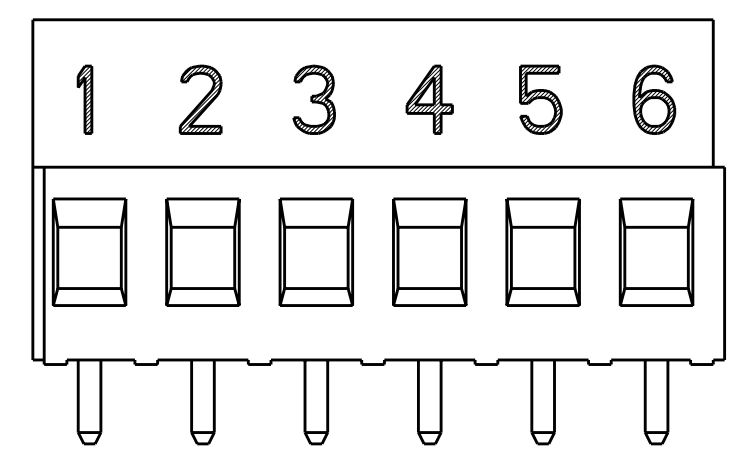


DETAIL J

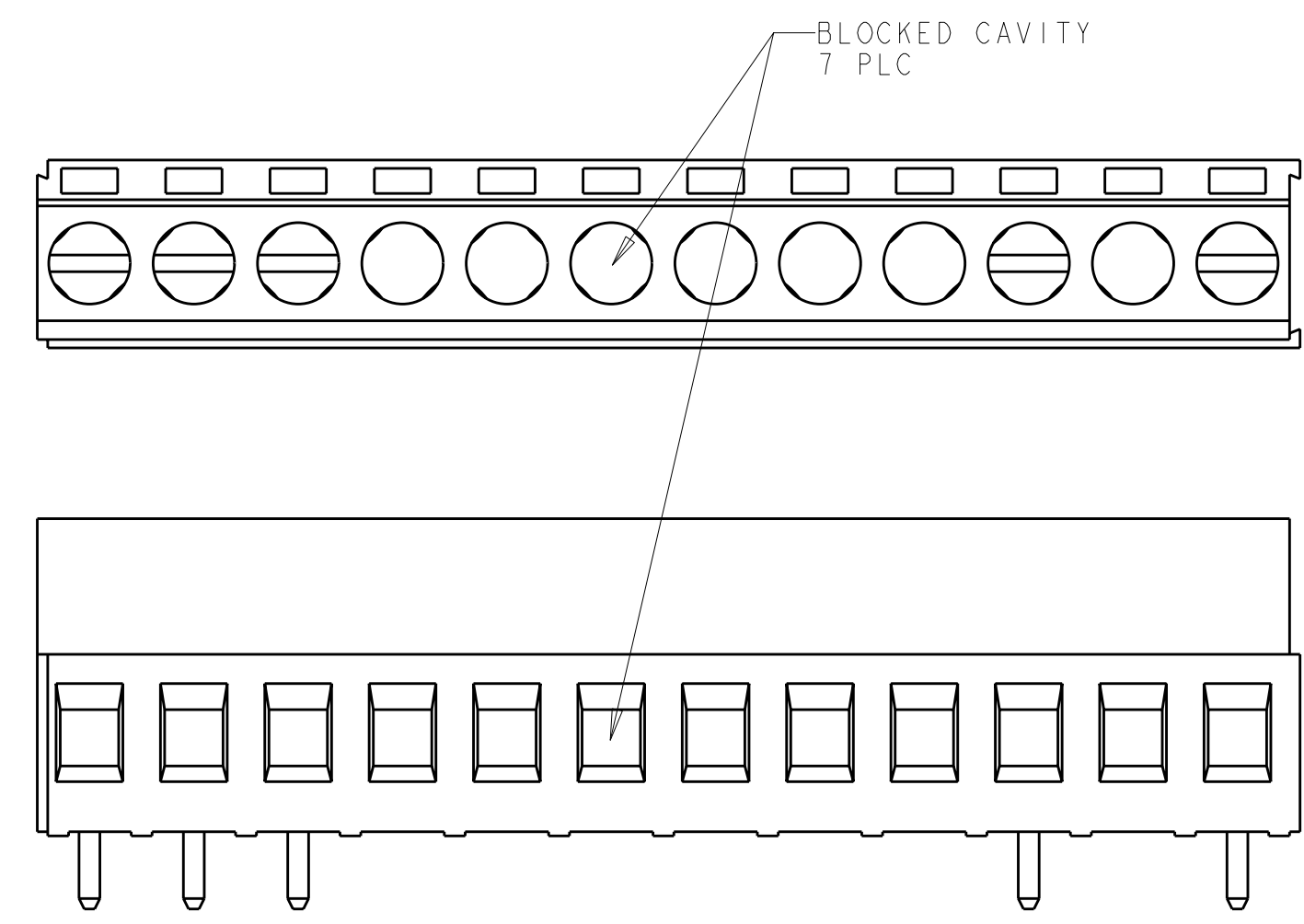


5.00 TYP
 10.00

DETAIL L



DETAIL K



DETAIL M

- 1 MATERIALS AND FINISH:
 HOUSING: PA 6-6, UL 94-V0, COLOR: GREEN.
 CLAMP: BRASS, NICKEL PLATED.
 TERMINAL: BRASS, TIN PLATED.
 CLAMPING SCREW: M3, BRASS, NICKEL PLATED.
- 2. SUITABLE FOR 1,6-2,4mm. PCB THICKNESS.
- 3. END-TO-END STACKABLE W/INTERLOCK WITHOUT LOSS OF CENTERLINE SPACING.
- 4. WIRE SIZE RANGE: 12-30 AWG.
- 5. RECOGNIZED UNDER THE COMPONENT PROGRAM OF UNDERWRITERS LABORATORIES INC. FILE No E60677.
- 6. IMQ CERTIFICATE WITH SURVEILLANCE IN CONFORMITY WITH IEC 998-1/998-2-1.
- 7 NOT CUMULATIVE TOLERANCE.
- 8 INK MARKED WHITE. NUMERICAL SEQUENCE FROM LEFT TO RIGHT.
- 9. BUCHANAN LOGO TO APPEAR ON HOUSING, LOCATION OPTIONAL WHERE SPACE PERMITS.

THIS DRAWING IS A CONTROLLED DOCUMENT.		DWN E. ZANOLINI 05APR2001	TE Connectivity															
DIMENSIONS: mm		CHK D. BIEVENOUR 05APR2001																
TOLERANCES UNLESS OTHERWISE SPECIFIED:		APVD D. BIEVENOUR 05APR2001	NAME TERMINAL BLOCK PCB MOUNT W/INTERLOCK, 5.00mm PITCH															
<table border="1"> <tr><td>0 PLC</td><td>±0</td></tr> <tr><td>1 PLC</td><td>±0.3</td></tr> <tr><td>2 PLC</td><td>±0.25</td></tr> <tr><td>3 PLC</td><td>±0</td></tr> <tr><td>4 PLC</td><td>±0</td></tr> <tr><td>ANGLES</td><td>±2°</td></tr> <tr><td>FINISH</td><td></td></tr> </table>		0 PLC	±0	1 PLC	±0.3	2 PLC	±0.25	3 PLC	±0	4 PLC	±0	ANGLES	±2°	FINISH		PRODUCT SPEC -	SIZE A2	CAGE CODE 00779
0 PLC	±0																	
1 PLC	±0.3																	
2 PLC	±0.25																	
3 PLC	±0																	
4 PLC	±0																	
ANGLES	±2°																	
FINISH																		
MATERIAL -		APPLICATION SPEC -	DRAWING NO C-796683	RESTRICTED TO -														
		WEIGHT -	SCALE 3:1 SHEET 2 OF 2 REV C4															
		CUSTOMER DRAWING																

X-ON Electronics

Largest Supplier of Electrical and Electronic Components

Click to view similar products for [Fixed Terminal Blocks](#) category:

Click to view products by [TE Connectivity](#) manufacturer:

Other Similar products are found below :

[MBE-1512](#) [MBE-154](#) [MBE-156](#) [MBES-153](#) [MBES-156](#) [MH-2512](#) [MHE-132](#) [MHE-163](#) [MI-254 \(35\)](#) [MI-272](#) [880507](#) [MPT-275](#)
[15602-04-08-21](#) [ELM023100](#) [BA311TU](#) [BA411SU](#) [MV-152](#) [MV-252-D](#) [MV-253/NCNOC](#) [MV-254-D](#) [MV-255](#) [MV-462](#) [MV-493](#) [MVE-](#)
[252](#) [MVE-253](#) [MVE-273](#) [MVEB-153](#) [1700096](#) [1705142](#) [1712417](#) [1713020](#) [1713088](#) [1745195](#) [1760594](#) [1776118-2](#) [1790852](#) [1-796689-8](#)
[1-796692-6](#) [1800001](#) [1800114](#) [1995279](#) [20020314-C121B01LF](#) [CB2-12](#) [KP03215000J0G](#) [KP04215000J0G](#) [S451](#) [282802-2](#) [29.007](#) [29.116](#)
[30.103](#)