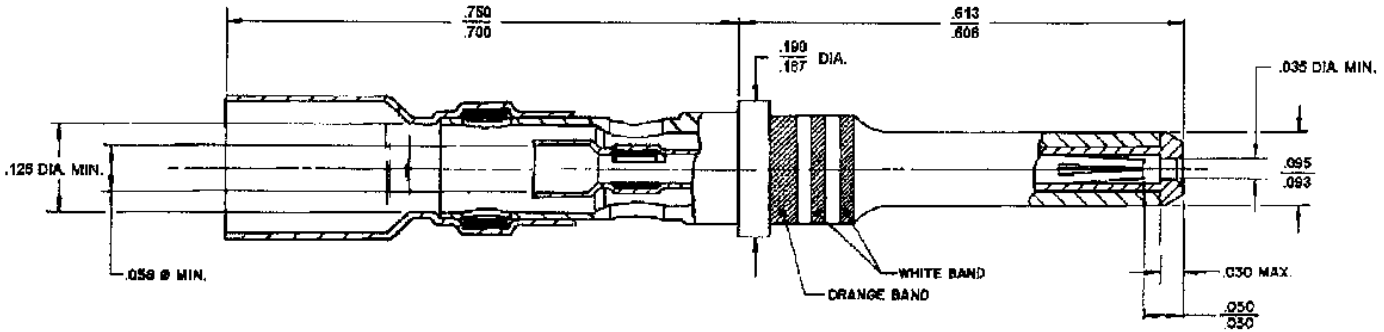


REVISIONS				
ZONE	LTR	DESCRIPTION	DATE	APPROVED
	E	REDRAWN & REVISED DCO# 01823	80 AUG 1	Z. TEMAN
	F	REVISED PER EOB D-0623	82 JUL 23	Z. TEMAN
	G	REVISED PER EO D-1027	82 DEC 13	R. MC CRAE
	H	REVISED PER ECN# T-7641	87 FEB 11	M. HIGGY
	J	REVISED PER LCN# T-19569	1987/11/2	W. HIGGY



CABLE APPLICATION	
RG CABLE	RAYCHEM CABLE
RG 180	9528A1X1X 9528A2K2X

REQUIREMENTS:

1. CONTACT MATERIAL: COPPER ALLOY PER QQ-B-626 & QQ-C-630
- 1b. INSULATOR MATERIAL: FLUOROPOLYMER
2. PLATING: GOLD PER MIL-G-43204, NICKEL, PER QQ-N-290, OVER COPPER.
3. MAXIMUM OPERATING TEMPERATURE: 150° C.
4. PERFORMANCE REQUIREMENTS PER MIL-C-39029 EXCEPT AS FOLLOWS:
 - A. THERMAL SHOCK: THE HIGH TEMPERATURE FOR THIS TEST SHALL BE 130° C. (MIL-STD-202, METHOD 107, TEST CONDITION A, STEP 3)
 - B. TENSILE STRENGTH: FOR COAX-COMBINED INNER AND OUTER: 15 LBS. (OR TENSILE STRENGTH OF COAX CABLE)
 - C. CONTACT RESISTANCE, INNER: 10 MILLIOHMS MAX., OUTER: 6 MILLIOHMS MAX. (EXCLUDING WIRE RESISTANCE).
 - D. DIELECTRIC WITHSTANDING VOLTAGE: 900 VOLTS RMS MINIMUM.
 - E. INSULATION RESISTANCE: 5000 MEGOHMS MINIMUM.
 - F. ENGAGEMENT FORCE, INNER SOCKET: 16 OZ. MAXIMUM.
 - G. SEPARATION FORCE, INNER SOCKET: 0.5 OZ. MINIMUM.

NOTES:

1. THIS CONTACT IS DESIGNED FOR USE IN MIL-C-83723, SERIES 3, TYPE B CONNECTORS.
2. THIS CONTACT IS DESIGNED TO ACCOMMODATE RG 180/U OR EQUIVALENT. OTHER APPLICATIONS SHOULD BE SUBMITTED TO RAYCHEM FOR EVALUATION.
3. INSERTION-EXTRACTION TOOL: M83723-3I-12 OR MS27534-12
4. FOR ADDITIONAL REQUIREMENTS SEE MIL-C-39029/74
5. FOR TERMINATION PROCEDURE SEE RAYCHEM SPECIFICATION ES 61154.
6. MATING CONTACT (FOR SIMILAR CABLES): D-602-0107.

CONNECTOR SPECIFICATION CONTROL DRAWING

UNLESS OTHERWISE SPECIFIED DIMENSIONS ARE IN INCHES BRACKETED DIMENSIONS () ARE METRIC AND TOLERANCES ARE:	DRAWN	B. DEASY	7-28-80	Tyco Electronics Corporation 350 Central Expressway Menlo Park, CA 94025 USA Raychem	
	CHECKED				TITLE
	APPROVED	<i>SDG</i>	<i>7/28/80</i>		CONTACT, COAXIAL, PIN
	APPROVED	<i>ML</i>	<i>7/28/80</i>		
APPROVED					
	CAD NAME	602-0106.PCX	SIZE	CODE IDENT	
			A	NO. 00000	
				DWG. NO.	
				D-602-0106	
				WEIGHT 1.5 G. MAX. SHEET 1 OF 1	

DO NOT SCALE THIS DRAWING

X-ON Electronics

Largest Supplier of Electrical and Electronic Components

Click to view similar products for [Circular MIL Spec Contacts](#) category:

Click to view products by [TE Connectivity](#) manufacturer:

Other Similar products are found below :

[006-0984-20](#) [006-1186-20](#) [601101N004](#) [CT0E20-22SS](#) [CT1N20-23SS](#) [CT2-36-10PCAU](#) [CT6F36-10PCA152](#) [M39029/106-616](#) [M39029/18-179](#) [M39029/30-222](#) [M39029/31-235](#) [M39029/48-318](#) [M39029/73-397](#) [M39029/9-133](#) [M39029/9-134](#) [M5000-054-0020L](#) [M5100-057-2162](#) [809-023](#) [809-111](#) [811393-000](#) [850-014](#) [FRCIR01-20-4S-F80-VO](#) [900062-6-8L](#) [97-45-1418P-5\(920\)](#) [97-45-1418S-4](#) [97-45-1622P-5](#) [97-45-1622S-4\(920\)](#) [97-45-1622S-5](#) [97-55-1622S-5](#) [D-602-0104CS076](#) [D-602-0106CS076](#) [AIC12-10P](#) [AIC12-12SG](#) [AIC12-14P](#) [AIC16-16PG](#) [AIC16-2024SG](#) [AIC16S-16PG](#) [AIC8-12P](#) [AIC8-12S](#) [AIC8-8SG](#) [AIC8-8SRAD](#) [1495044-1](#) [BA-4016-50LD](#) [162GB-149-20000-05](#) [BACC47CP2T](#) [BACC47DP4](#) [BACC47GC1A](#) [BACC47GN1](#) [173-900245-91](#) [CA02R28-12PA152F80](#)