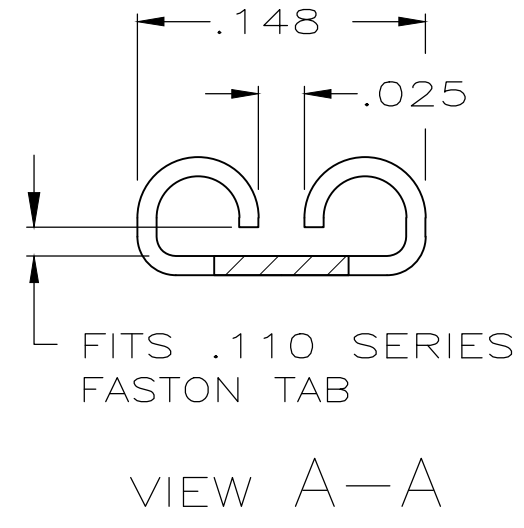
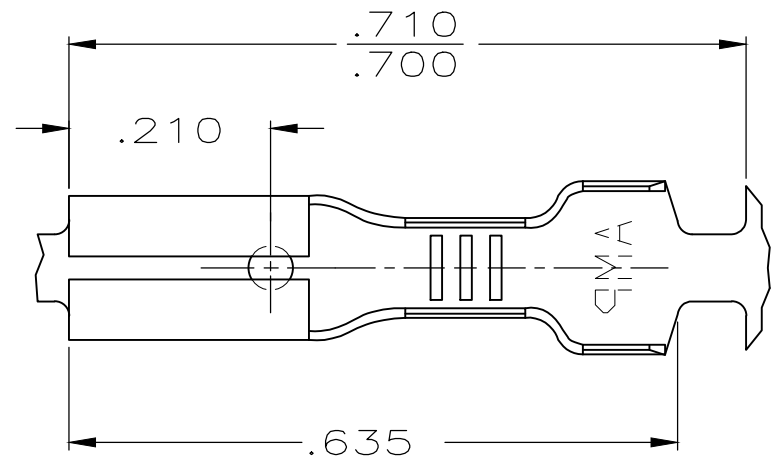


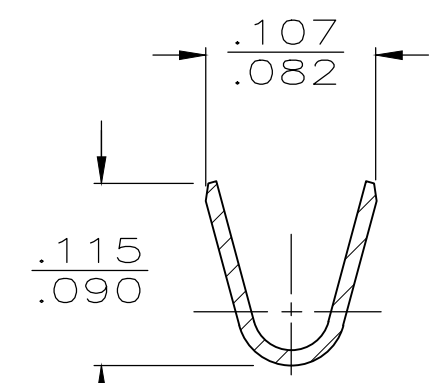
THIS DRAWING IS UNPUBLISHED. RELEASED FOR PUBLICATION
 © COPYRIGHT - By - ALL RIGHTS RESERVED.

LOC	DIST	REVISIONS			
P	LTR	DESCRIPTION	DATE	DWN	APVD
AF	50	AS2	REVISED PER ECR-19-018151	12NOV2020	AA EW

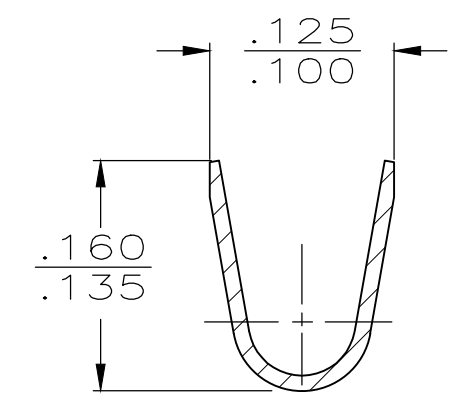
- 1 CONTINUOUS STRIP ON REELS.
- 2 PART TO BE PUT ON PLASTIC REELS.
- 3 FINISH LEAD-FREE, MATTE TIN OVER NICKEL



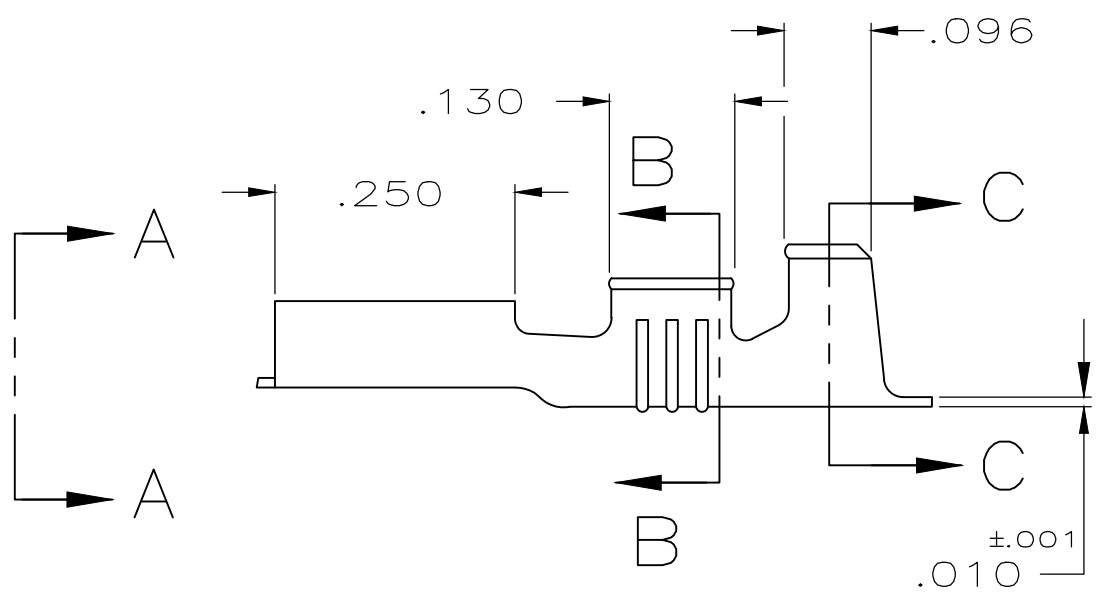
FITS .110 SERIES FASTON TAB



SECTION B-B



SECTION C-C



OBSOLETE	3	BRASS	.060-.100	22-18	.016	60118-5	
	PRE-TIN	BRASS				60118-4/2	
OBSOLETE		SILVER	.060-.100	22-18	.016	60118-2	
		#4H PHOS BRZ				60118-1	
		PRE-TIN					
		FINISH	MATERIAL	INSUL RANGE	WIRE SIZE	MATING TAB THK	PART NUMBER

THIS DRAWING IS A CONTROLLED DOCUMENT.		DWN JR RUTH 6/23/87	TE Connectivity				
DIMENSIONS: INCHES		CHK G YETTER 6/23/87					NAME
TOLERANCES UNLESS OTHERWISE SPECIFIED:		APVD C MEYERS 6/23/87	RECEPTACLE, FASTON,™				
0 PLC ± - 1 PLC ± - 2 PLC ± - 3 PLC ± .015 4 PLC ± - ANGLES ± -		PRODUCT SPEC	.110 SERIES				
MATERIAL SEE TABLE		FINISH SEE TABLE	APPLICATION SPEC	SIZE	CAGE CODE	DRAWING NO	RESTRICTED TO
			WEIGHT -	A3	00779	C-60118	-
			CUSTOMER DRAWING	SCALE NTS	SHEET 1 OF 1	REV AS2	

X-ON Electronics

Largest Supplier of Electrical and Electronic Components

Click to view similar products for [Terminals](#) category:

Click to view products by [TE Connectivity](#) manufacturer:

Other Similar products are found below :

[00-054007-01074-6](#) [00-054007-70206-1](#) [00-054007-70210-8](#) [00-054007-70217-7](#) [00-054007-70226-9](#) [00-054007-70228-3](#) [00-054007-70248-1](#) [00-054007-70256-6](#) [00-054007-70301-3](#) [00-054007-70316-7](#) [0-0320562-0](#) [00-054007-49560-4](#) [00-054007-70209-2](#) [00-054007-70225-2](#) [00-054007-70227-6](#) [00-054007-70231-3](#) [00-054007-70241-2](#) [00-054007-70242-9](#) [00-054007-70244-3](#) [00-054007-70246-7](#) [00-054007-70263-4](#) [00-054007-70288-7](#) [00-054007-70290-0](#) [00-054007-70300-6](#) [00-054007-70304-4](#) [01-2065-1-0216](#) [01-2900-1-04412](#) [00581P0075](#) [600TS-10](#) [60205-1](#) [604200-1](#) [605601-1](#) [60598-1-CUT-TAPE](#) [61314-6-C](#) [61810-3](#) [61-S](#) [61-SN](#) [626-0194](#) [62-NBM-A](#) [62-SN](#) [62-SP](#) [63-S](#) [640179-1](#) [M55155/059I03](#) [M55155/079C01](#) [M55155/099H02](#) [M55155/109H01](#) [M55155/109H02](#) [M55155/12XH05](#) [M55155/16XH02](#)