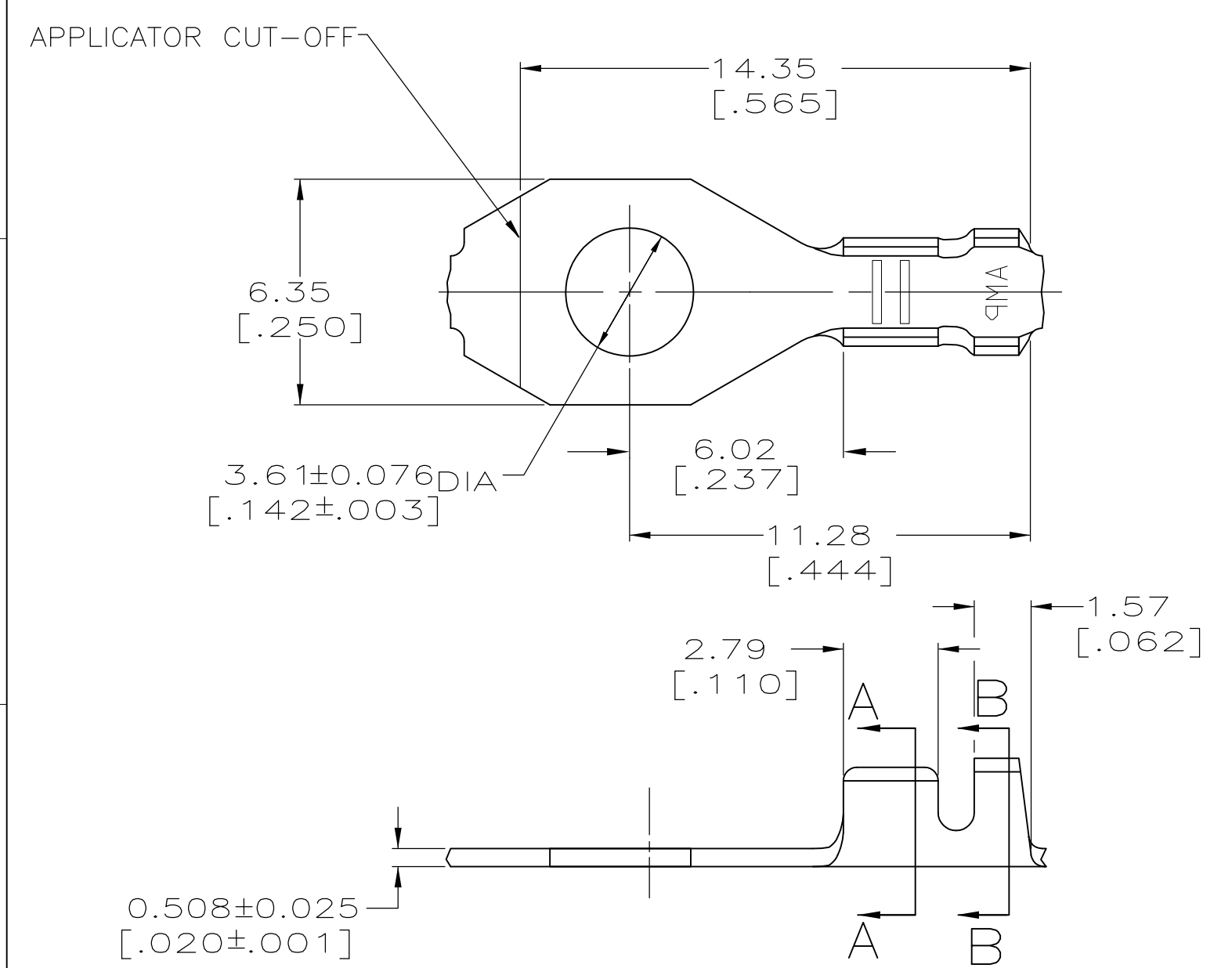
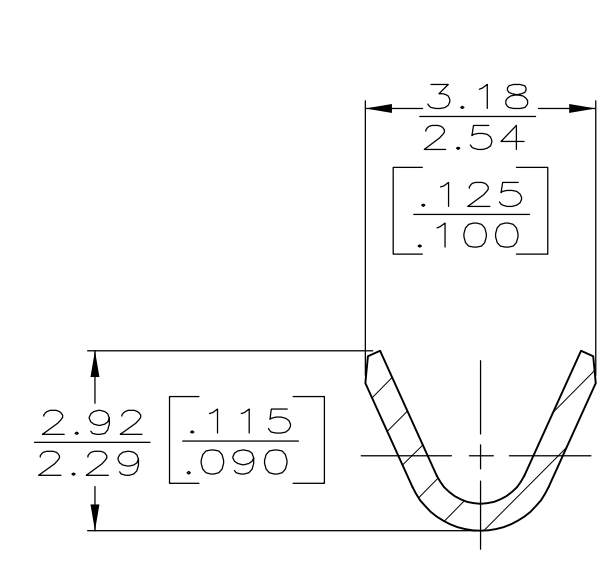


THIS DRAWING IS UNPUBLISHED. RELEASED FOR PUBLICATION
 © COPYRIGHT - By - ALL RIGHTS RESERVED.

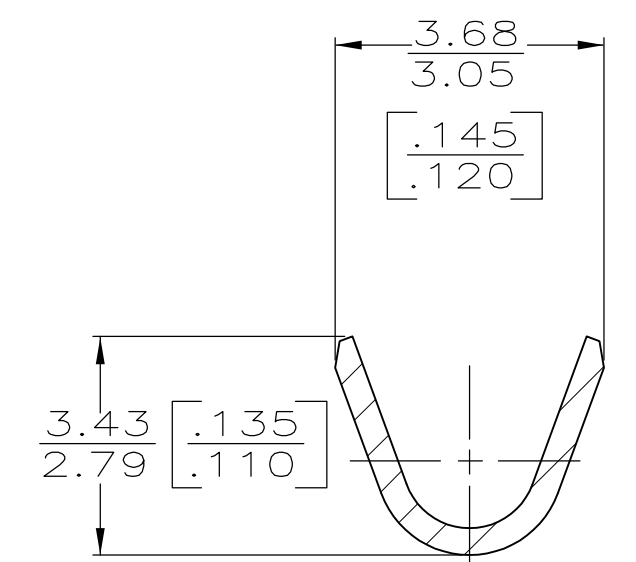
REVISIONS					
P	LTR	DESCRIPTION	DATE	DWN	APVD
	L1	REVISED PER ECR-17-004312	27MAR2017	NK	FV



1 CONTINUOUS STRIP ON REELS
 2 8000 PER REEL



SECTION A-A
SCALE 10:1



SECTION B-B
SCALE 10:1

TIN PLATING	1.22-1.98 DIA [.048-.078]	0.13mm ² -0.5mm ² [26-20] AWG	60123-3 2
TIN PLATING	1.22-1.98 DIA [.048-.078]	0.13mm ² -0.5mm ² [26-20] AWG	60123-2
FINISH	INSULATION RANGE	WIRE RANGE	PART NUMBER

F OR O	2.79 [.110]	4.06 [.160]	F	2.03 [.080]	1.40 [.055]	0.5mm ² [20]
					1.34 [.053]	0.3mm ² [22]
					1.27 [.050]	0.2mm ² [24]
					1.21 [.048]	0.13mm ² [26]
TYPE	WIDTH	STRIP LENGTH ±0.38 [±.015]	TYPE	WIDTH	±0.051 [±.002] HEIGHT	WIRE
INSUL BARREL CRIMP			WIRE BARREL CRIMP			

THIS DRAWING IS A CONTROLLED DOCUMENT.

DIMENSIONS: mm [INCHES]

TOLERANCES UNLESS OTHERWISE SPECIFIED:

0 PLC ± -
 1 PLC ± -
 2 PLC ± -
 3 PLC ± 0.38 [.015]
 4 PLC ANGLES ± -

MATERIAL #2 HARD BRASS

FINISH SEE TABLE

DWN P FORTNEY 4/5/90
 CHK JR RUTH 4/5/90
 APVD -

STE TE Connectivity

NAME RING

PRODUCT SPEC -
 APPLICATION SPEC -

SIZE A3 CAGE CODE 00779 DRAWING NO C-60123 RESTRICTED TO -

WEIGHT 0.000000

CUSTOMER DRAWING SCALE 6:1 SHEET 1 OF 1 REV L1

X-ON Electronics

Largest Supplier of Electrical and Electronic Components

Click to view similar products for [Terminals](#) category:

Click to view products by [TE Connectivity](#) manufacturer:

Other Similar products are found below :

[00-054007-01074-6](#) [00-054007-70206-1](#) [00-054007-70210-8](#) [00-054007-70217-7](#) [00-054007-70226-9](#) [00-054007-70228-3](#) [00-054007-70248-1](#) [00-054007-70256-6](#) [00-054007-70301-3](#) [00-054007-70316-7](#) [00-054007-49560-4](#) [00-054007-70209-2](#) [00-054007-70225-2](#) [00-054007-70227-6](#) [00-054007-70231-3](#) [00-054007-70241-2](#) [00-054007-70242-9](#) [00-054007-70244-3](#) [00-054007-70246-7](#) [00-054007-70263-4](#) [00-054007-70288-7](#) [00-054007-70290-0](#) [00-054007-70300-6](#) [00-054007-70304-4](#) [01-2065-1-0216](#) [01-2900-1-04412](#) [00581P0075](#) [600TS-10](#) [60205-1](#) [604200-1](#) [605601-1](#) [60598-1-CUT-TAPE](#) [61314-6-C](#) [61810-3](#) [61-S](#) [61-SN](#) [626-0194](#) [62-NBM-A](#) [62-SN](#) [62-SP](#) [63-S](#) [640179-1](#) [M55155/059I03](#) [M55155/079C01](#) [M55155/099H02](#) [M55155/109H01](#) [M55155/109H02](#) [M55155/12XH05](#) [M55155/16XH02](#) [M55155/29-5S](#)