



# Kontaktbuchse 8 mm

Einsatzbereich: - 923 singletec, 1-polig  
Crimp 50 mm<sup>2</sup>

TE Teile Nr.: 60-0192-023-000  
IC Ref. Nr.: 60.192.23

## Elektrische Werte

Bemessungsstrom max. 200 A\*  
Durchgangswiderstand < 110 µOhm

## Werkstoff

Kontakt Messing, versilbert  
Lamellenfeder CuBe, versilbert

## Anschluss

Anschlussart/-bereich Crimp/ 50 mm<sup>2</sup>  
max. Litzenaußendurchmesser ø15 mm  
Abisolierlänge 17 mm  
Crimpeinstellungen sind individuell zu

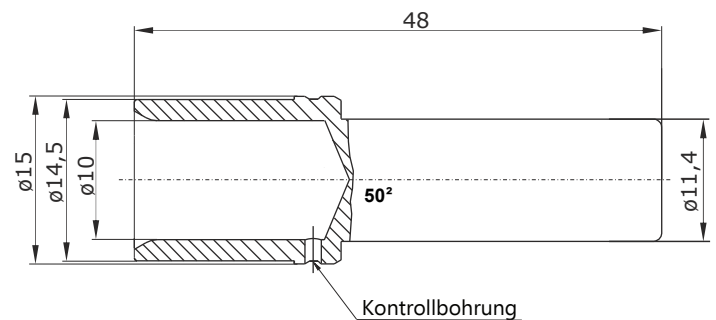
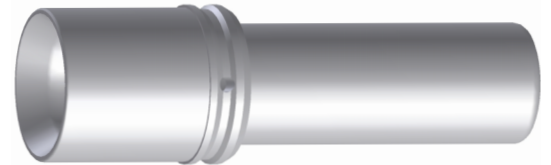
## Mechanische Werte

Steckzyklen 500

## Werkzeuge (nicht im Lieferumfang enthalten)

Akku Crimpzange TE Teile Nr.: C0-0207-000-000  
IC Ref. Nr.: C0.207.00

Crimpeinsatz, 50 mm<sup>2</sup> TE Teile Nr.: C0-0208-000-000  
IC Ref. Nr.: C0.208.00



**Hauptabmessungen**  
Kontaktbuchse





# Contact Socket 8 mm

for: - 923 singletec, 1-pin  
crimp 50 mm<sup>2</sup>

TE part number: 60-0192-023-000  
IC reference number: 60.192.23

## Electrical Data

rated current max. 200 A\*  
contact resistance < 110 µOhm

## Material

contact brass, silver plated  
lamella spring CuBe, silver plated

## Termination

cross section crimp/ 50 mm<sup>2</sup>  
max. outer wire diameter ø15 mm  
stripping length 17 mm  
crimp settings select individually

## Mechanical Data

mating cycles 500

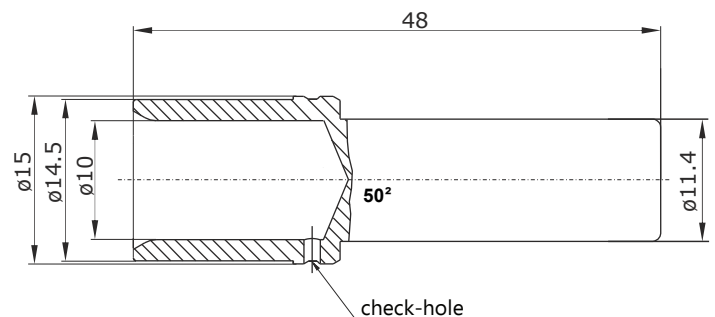
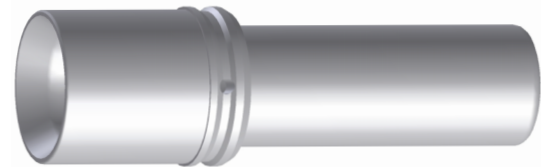
## Tools (not part of product contents)

battery crimp tool

TE part no.: C0-0207-000-000  
IC ref. no.: C0.207.00

crimping insert, 50 mm<sup>2</sup>

TE part no.: C0-0208-000-000  
IC ref. no.: C0.208.00



## Main Dimensions

contact socket

Y6-F434-000-0EN issued: 16.04.2015/MH; modified: 17.10.2018/KC

© 2018 TE Connectivity

TE Connectivity, TE connectivity (logo), intercontec (logo) and speedtec are trademarks.

While TE Connectivity (TE) has made every reasonable effort to ensure the accuracy of the information in this presentation, TE does not guarantee that it is error-free, nor does TE make any other representation, warranty or guarantee that the information is accurate, correct, reliable or current. TE reserves the right to make any adjustments to the information contained herein at any time without notice. TE expressly disclaims all implied warranties regarding the information contained herein, including, but not limited to, any implied warranties of merchantability or fitness for a particular purpose. The dimensions in this article are for reference purposes only and are subject to change without notice. Specifications are subject to change without notice. Consult TE for the latest dimensions and design specifications.

TE Connectivity Industrial GmbH  
Bernrieder Straße 15  
94559 Niederwinkling, Germany  
+49 9962 2002 - 0  
[intercontec@te.com](mailto:intercontec@te.com)  
[www.intercontec.biz](http://www.intercontec.biz)



\* for max. wire cross-section

## X-ON Electronics

Largest Supplier of Electrical and Electronic Components

*Click to view similar products for [Circular Metric Connectors](#) category:*

*Click to view products by [TE CONNECTIVITY](#) manufacturer:*

Other Similar products are found below :

[600X518037X](#) [6STD15PCR99B70A](#) [8R4000A16M020](#) [8R5000A16M005](#) [1200910002](#) [1203580030](#) [1200910008](#) [1200910011](#) [1300140094](#)  
[130203-0054](#) [1300140026](#) [1300150099](#) [RF-12S1N8A90DU](#) [1-3637-600-5205](#) [1612618](#) [21036836414](#) [8R4006A16M010](#) [8R5006A18A120](#)  
[1604232](#) [1R3006A20M005](#) [RF-12P1N8A80DU](#) [RF-12P1N8A90DU](#) [41-40011](#) [42-01015](#) [4-22279-4](#) [4-22281-1](#) [4-22284-9](#) [43-00113](#) [43-](#)  
[01088](#) [43-01203](#) [41-40013](#) [42-00008](#) [43-00343](#) [43-01032](#) [43-01162](#) [43-10000](#) [600X518050X](#) [SACC-DSI-FS-5P-PG9-L180 SC](#)  
[8R5006A16M020](#) [8R5006A16M005](#) [8R4000A16M010](#) [6-22279-3](#) [1605332](#) [N03FA03144](#) [1300140077](#) [43-01338](#) [XS2RD4265](#) [RSC 4/9](#)  
[XS2R-D426-1](#) [XS8A-0441](#)