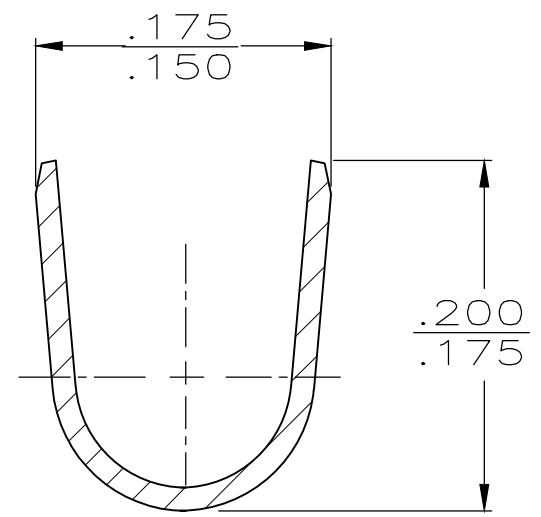
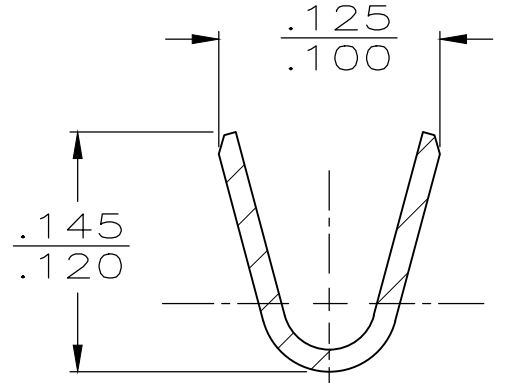
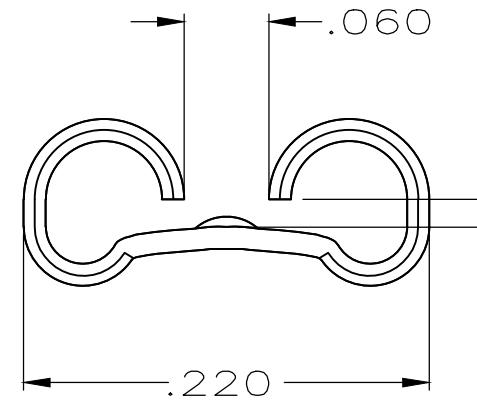
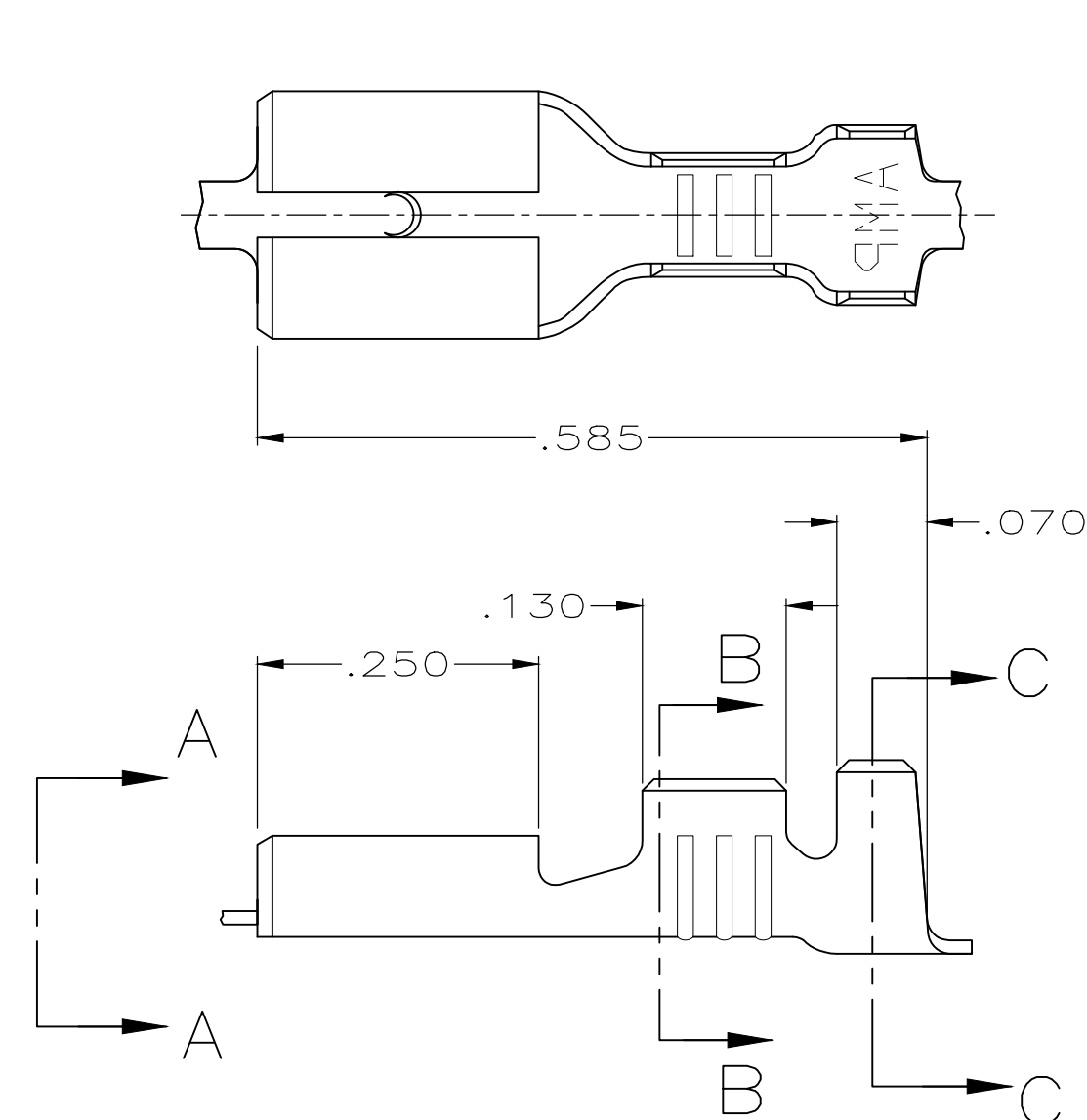


THIS DRAWING IS UNPUBLISHED. RELEASED FOR PUBLICATION  
 © COPYRIGHT - By - ALL RIGHTS RESERVED.

LOC	DIST	REVISIONS			
P	LTR	DESCRIPTION	DATE	DWN	APVD
AF	50	Y3	REVISED PER ECR-20-009164	07AUG2020	MK DH



- 1 CONTINUOUS STRIP ON REELS
- 2 MATING TAB THK IS .021-.019
- 3 WIRE SIZE IS #20-#16 AWG
- 4 INSULATION RANGE IS .090-.130 DIA
- △5 60214-3 REFERS TO 60214-1 WITH PAPER INTERLAYER.

-	BRASS	△5 60214-3
TIN	BRASS	60214-2
-	BRASS	60214-1
FINISH	MATERIAL	PART NO.

THIS DRAWING IS A CONTROLLED DOCUMENT.		DWN	JR RUTH	10/27/89
DIMENSIONS: INCHES		CHK	MS FEHER	10/27/89
TOLERANCES UNLESS OTHERWISE SPECIFIED:		APVD	C MEYERS	10/27/89
0 PLC ± -		PRODUCT SPEC	-	-
1 PLC ± -		APPLICATION SPEC	-	-
2 PLC ± -		WEIGHT	-	-
3 PLC ± .015		CUSTOMER DRAWING		
4 PLC ± -		SCALE	6:1	SHEET 1 OF 1
ANGLES ± -		REV	Y3	
FINISH		SEE TABLE		
MATERIAL		SEE TABLE		

**STE** TE Connectivity

NAME: RECEPTACLE, FASTON, .187 SERIES

SIZE: A3 CAGE CODE: 00779 DRAWING NO: C-60214 RESTRICTED TO: -

## X-ON Electronics

Largest Supplier of Electrical and Electronic Components

*Click to view similar products for [Terminals](#) category:*

*Click to view products by [TE Connectivity](#) manufacturer:*

Other Similar products are found below :

[00-054007-01074-6](#) [00-054007-70206-1](#) [00-054007-70210-8](#) [00-054007-70217-7](#) [00-054007-70226-9](#) [00-054007-70228-3](#) [00-054007-70248-1](#) [00-054007-70256-6](#) [00-054007-70301-3](#) [00-054007-70316-7](#) [00-054007-49560-4](#) [00-054007-70209-2](#) [00-054007-70225-2](#) [00-054007-70227-6](#) [00-054007-70231-3](#) [00-054007-70241-2](#) [00-054007-70242-9](#) [00-054007-70244-3](#) [00-054007-70246-7](#) [00-054007-70263-4](#) [00-054007-70288-7](#) [00-054007-70290-0](#) [00-054007-70300-6](#) [00-054007-70304-4](#) [01-2065-1-0216](#) [01-2900-1-04412](#) [00581P0075](#) [600TS-10](#) [60205-1](#) [604200-1](#) [605601-1](#) [60598-1-CUT-TAPE](#) [61314-6-C](#) [61810-3](#) [61-S](#) [61-SN](#) [626-0194](#) [62-NBM-A](#) [62-SN](#) [62-SP](#) [63-S](#) [640179-1](#) [M55155/059I03](#) [M55155/079C01](#) [M55155/099H02](#) [M55155/109H01](#) [M55155/109H02](#) [M55155/12XH05](#) [M55155/16XH02](#) [M55155/29-5S](#)