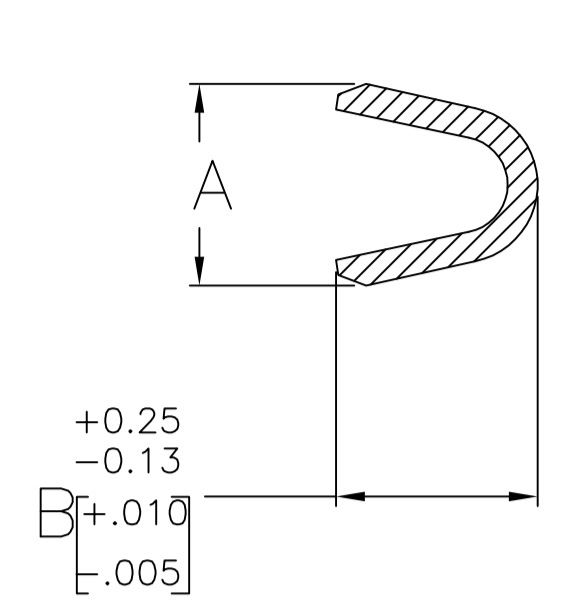
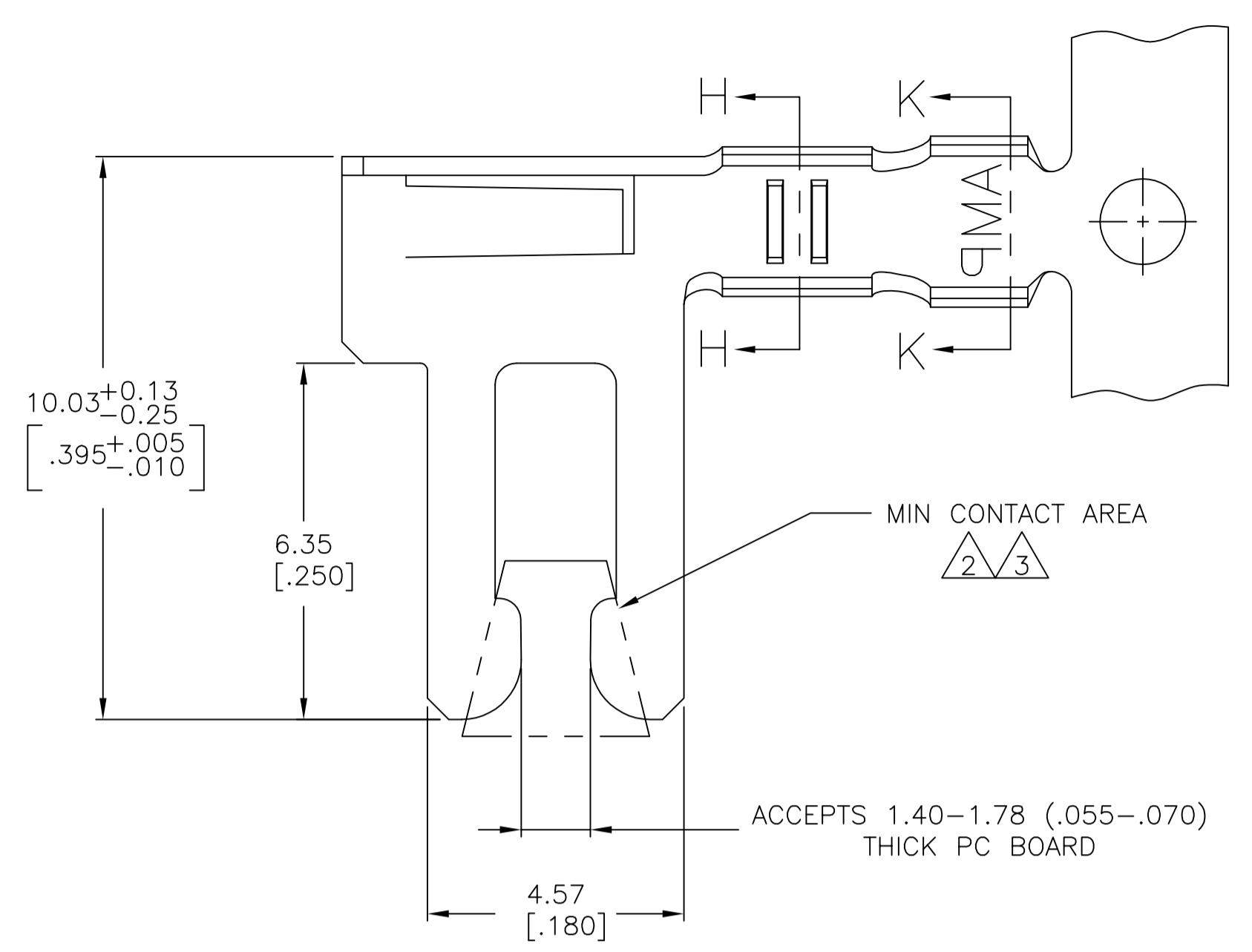
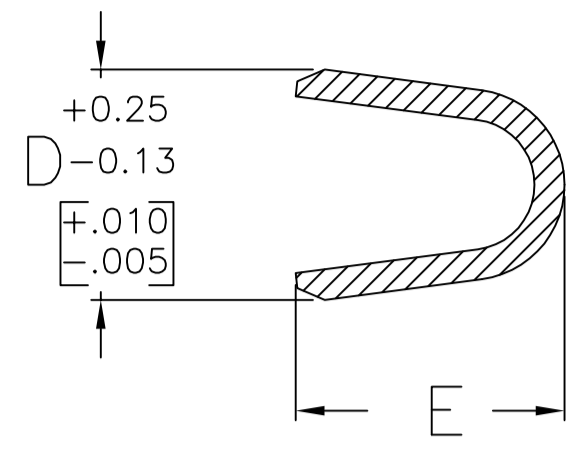


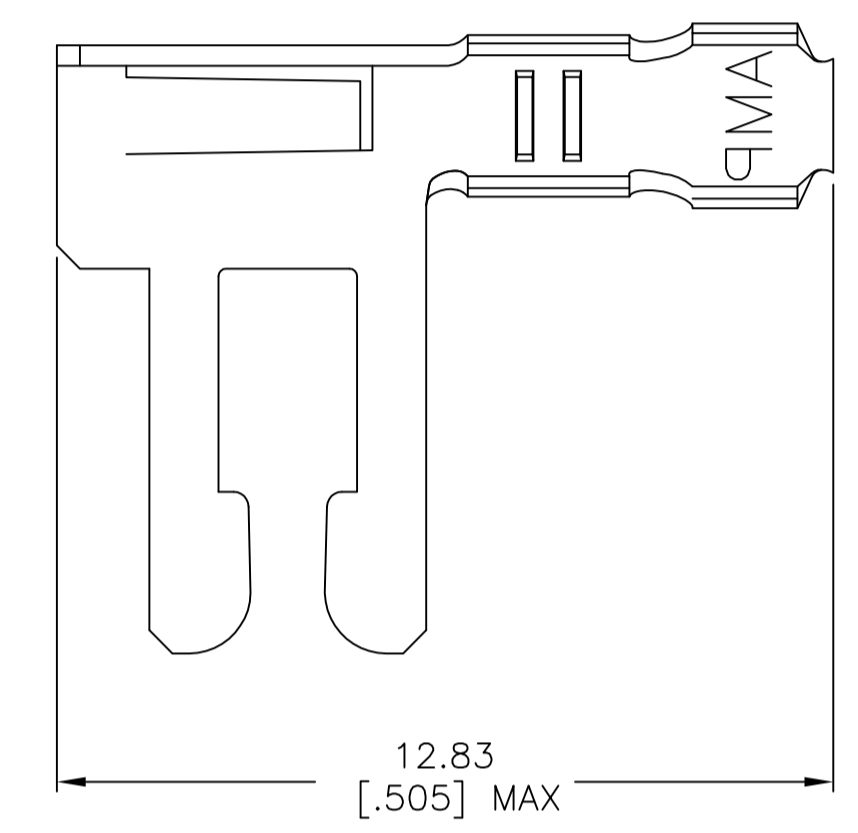
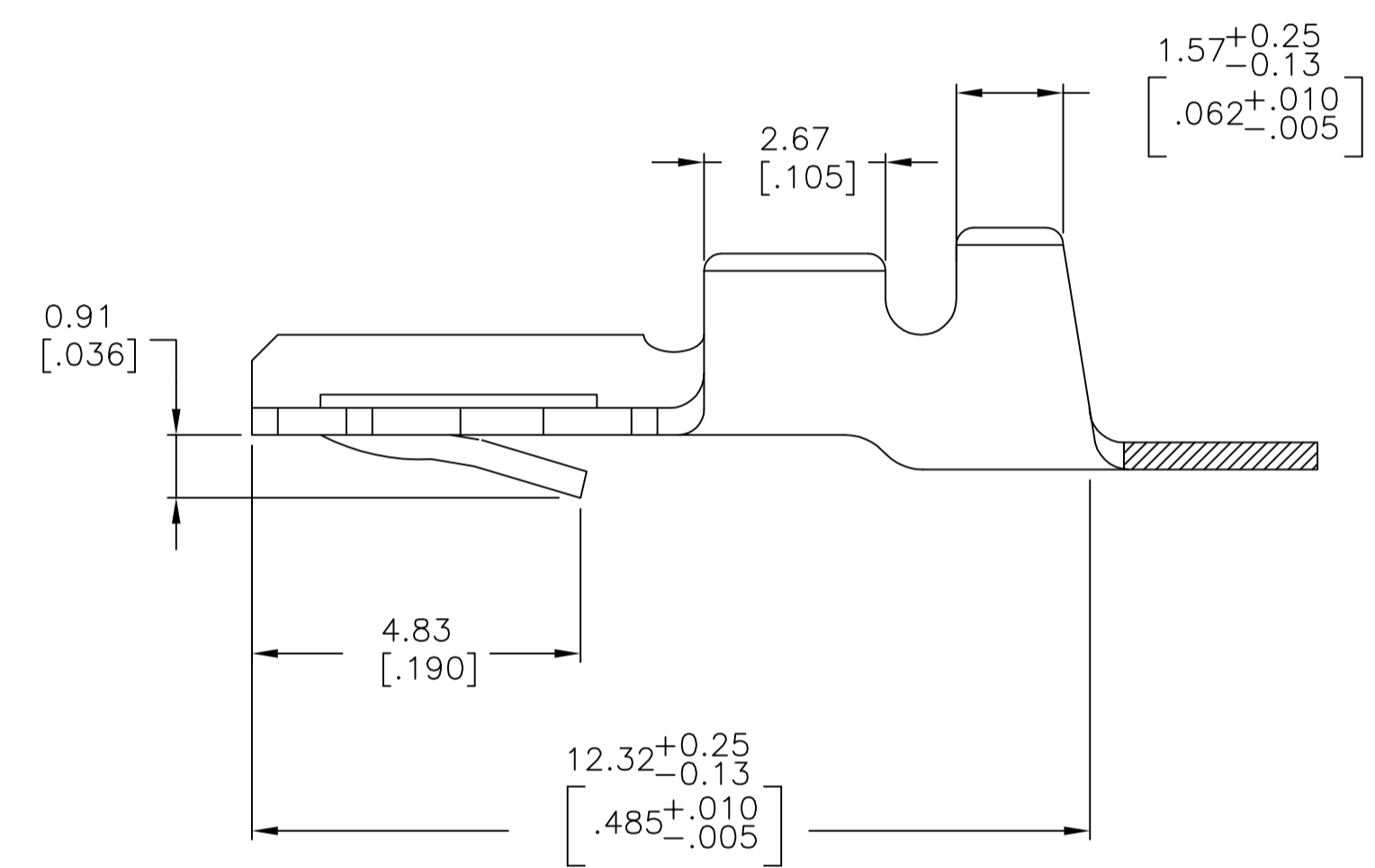
REVISIONS					
P	LTR	DESCRIPTION	DATE	DMN	APVD
AK2		REVISED PER ECO-13-005696	25JUL13	KH	MM
AL		REVISED PER ECO-17-014152	12JAN2018	RS	MM



SECTION H-H



SECTION K-K



DETAIL X
SCALE 8:1

- REFER TO CUSTOMER DRAWINGS 530509, 530853, 582370, & 582380 FOR HOUSING AND PC BOARD REQUIREMENTS.
- 0.76 μ m[.000030] MIN GOLD OVER 1.27 μ m[.000050] MIN NICKEL IN CONTACT AREA, 1.27 μ m[.000050] MIN NICKEL ON REMAINDER OF CONTACT.
- 0.38 μ m[.000030] MIN GOLD OVER 1.27 μ m[.000050] MIN NICKEL IN CONTACT AREA, 1.27 μ m[.000050] MIN NICKEL ON REMAINDER OF CONTACT.
- 3.81 μ m[.000150] MIN TIN-LEAD OVER 0.76 μ m[.000030] MIN NICKEL ALL OVER.
- FOR USE WITH STANDARD APPLICATOR.
- FOR USE WITH MINATURE APPLICATOR.
- 3.81 μ m[.000150] MIN MATTE TIN PLATE OVER 0.76 μ m[.000030] MIN NICKEL ALL OVER.
- OBSOLETE PARTS: OBSOLETE CIS STREAMLINING PER D.RENAUD/D.SINISI

△8	OBSOLETE	0.89-1.40 [.035-.055]	26-22	2.16 [.085]	2.54 [.100]	1.90 [.075]	1.90-2.41 [.075-.095]	PER DETAIL-X	-	△4	5-66150-2
△8	OBSOLETE	1.52-2.29 [.060-.090]	22-18	3.56 ^{+0.25} _{-0.13} [.140 ^{+0.010} _{-.005}]	3.05 [.120]	2.67 [.105]	2.67-3.30 [.105-.130]	PER DETAIL-X	-	△4	5-66088-2
		0.89-1.40 [.035-.055]	26-22	2.16 [.085]	2.54 [.100]	1.90 [.075]	1.90-2.41 [.075-.095]	-	△6	△4	5-66362-1
		1.52-2.29 [.060-.090]	22-18	3.56 ^{+0.25} _{-0.13} [.140 ^{+0.010} _{-.005}]	3.05 [.120]	2.67 [.105]	2.67-3.30 [.105-.130]	-	△6	△4	5-66335-2
△8	OBSOLETE	1.52-2.29 [.060-.090]	22-18	3.56 ^{+0.25} _{-0.13} [.140 ^{+0.010} _{-.005}]	3.05 [.120]	2.67 [.105]	2.67-3.30 [.105-.130]	-	△6	△4	5-60215-4
	OBSOLETE	0.89-1.40 [.035-.055]	26-22	2.16 [.085]	2.54 [.100]	1.90 [.075]	1.90-2.41 [.075-.095]	PER DETAIL-X	-	△4	66150-2
		1.52-2.29 [.060-.090]	22-18	3.56 ^{+0.25} _{-0.13} [.140 ^{+0.010} _{-.005}]	3.05 [.120]	2.67 [.105]	2.67-3.30 [.105-.130]	PER DETAIL-X	-	△4	66088-2
	OBSOLETE	0.89-1.40 [.035-.055]	26-22	2.16 [.085]	2.54 [.100]	1.90 [.075]	1.90-2.41 [.075-.095]	-	△6	△2	66362-2
		0.89-1.40 [.035-.055]	26-22	2.16 [.085]	2.54 [.100]	1.90 [.075]	1.90-2.41 [.075-.095]	-	△6	△4	66362-1
△8	OBSOLETE	1.52-2.29 [.060-.090]	22-18	3.56 ^{+0.25} _{-0.13} [.140 ^{+0.010} _{-.005}]	3.05 [.120]	2.67 [.105]	2.67-3.30 [.105-.130]	-	△6	△2	66335-3
		1.52-2.29 [.060-.090]	22-18	3.56 ^{+0.25} _{-0.13} [.140 ^{+0.010} _{-.005}]	3.05 [.120]	2.67 [.105]	2.67-3.30 [.105-.130]	-	△6	△4	66335-2
		1.52-2.29 [.060-.090]	22-18	3.56 ^{+0.25} _{-0.13} [.140 ^{+0.010} _{-.005}]	3.05 [.120]	2.67 [.105]	2.67-3.30 [.105-.130]	-	△5	△2	60215-5
		1.52-2.29 [.060-.090]	22-18	3.56 ^{+0.25} _{-0.13} [.140 ^{+0.010} _{-.005}]	3.05 [.120]	2.67 [.105]	2.67-3.30 [.105-.130]	-	△5	△4	60215-4
		INSULATION DIA RANGE	WIRE GAGE RANGE	E	D	B	A	LOOSE PIECE	REELING	FINISH	PART NUMBER

THIS DRAWING IS A CONTROLLED DOCUMENT.

DMN M. BINNER 09 JUL 97
CHK R. STONE 11 NOV 97
APVD D. WIKE 09 APR 98

STE TE Connectivity

PRODUCT SPEC: 108-9016
APPLICATION SPEC: 114-9002

SIZE: A1 CAGE CODE: 00779 DRAWING NO: 60215
WEIGHT: CUSTOMER DRAWING SCALE: 10:1 SHEET: 1 OF 1 REV: AL

X-ON Electronics

Largest Supplier of Electrical and Electronic Components

Click to view similar products for [Standard Card Edge Connectors](#) category:

Click to view products by [TE Connectivity](#) manufacturer:

Other Similar products are found below :

[CR7E-30DB-3.96E\(72\)](#) [6364499-1](#) [6565204-6](#) [PKC-156](#) [1437274-4](#) [147889-1](#) [1489165-4](#) [EBT15622B2X](#) [1-582587-1](#) [284-0102-12100](#)
[286-0052-12101A](#) [306022901000000](#) [307-012-502-202](#) [307-056-520-300](#) [2129318-1](#) [245-062-520-350](#) [287-0032-12101](#) [306-028-525-102](#)
[307-072-526-202](#) [345-060-559-303](#) [392-008-559-201](#) [534671-1](#) [341-240-317](#) [345-044-500-300](#) [346-240-318](#) [395-100-524-300](#) [09-07-2032](#)
[10035388-802LF](#) [10115859-011LF](#) [10122859-009LF](#) [10127905-B04B24BLF](#) [530555-1](#) [5-678046-1](#) [73726-0005](#) [66308-1](#) [1-1437275-6](#)
[PEC-07-02-T-S-A](#) [346-014-520-801](#) [307-048-502-202](#) [CE100F22-9-C](#) [CE100F26-7-C](#) [CE100F28-3-D](#) [CE156F18-9-C](#) [CE156F22-5-D](#)
[CE156F22-9-C](#) [CT100F22-2-D](#) [CT100F22-3-D](#) [CT100F24-2-D](#) [CT100F24-3-D](#) [CT100F24-6-C](#)