

HIRSCHMANN MOBILITY

CELLULAR (2G/3G/4G) Outdoor Antenna



CEL 8026 BASE
Pt no.
602-456-001

- With bracket for fix mast and wall mount
- Directional radiation
- Vertical polarization

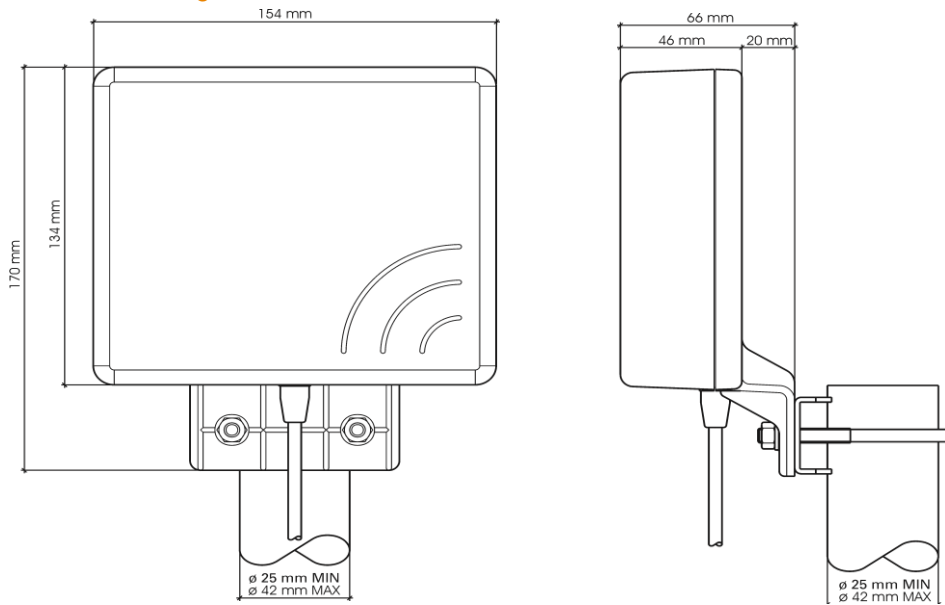
Subject to alterations

Technical data

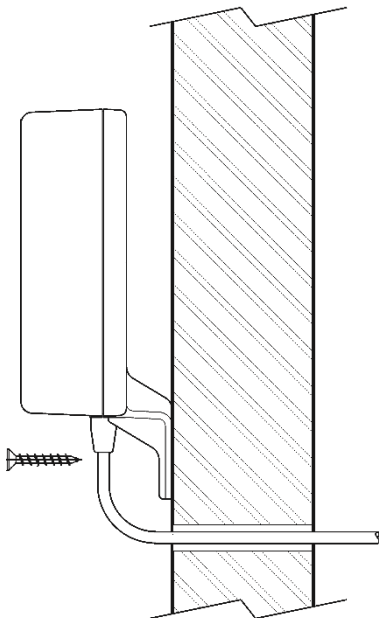
Dimensions	approx.	154 x 134 x 46 mm (without bracket)
Weight	approx.	500 g
Housing and Radome Materials		RAL 7035 Light Grey thermoplastic UV Stabilized
Wind Load (Resistance)		40 N at 150 Km/h, max. 180 Km/h
Wind Surface		0.02 m ²
Installation Type	Mast:	Ø 25-42 mm with U-bolt (included)
	Wall:	mounting screw (not included)
Temperature range		-40 – +80° C
Protection class		IP64 (acc. IEC 60529)
Cellular		
Frequency range	LTE 800 + GSM 900:	790 - 960 MHz
	GSM 1800:	1710 - 1880 MHz
	UMTS:	1920 - 2170 MHz
	WLAN + LTE (high):	2300 - 2700 MHz
Impedance		50 Ohm
Polarization		linear vertical
Gain	LTE 800 + GSM 900:	6-7 dBi* @ 790 - 960 MHz
	GSM 1800:	9 dBi* @ 1710 - 1880 MHz
	UMTS:	9 dBi* @ 1920 - 2170 MHz
	WLAN + LTE (high):	8-9 dBi* @ 2300 - 2700 MHz
Half Power Beam Width		see Typical Radiation Patterns
Front to back ratio	LTE 800 + GSM 900:	12 dB @ 790 - 960 MHz
	GSM 1800:	16 dB @ 1710 - 1880 MHz
	UMTS:	20 dB @ 1920 - 2170 MHz
	WLAN + LTE (high):	10 dB @ 2300 - 2700 MHz
Max Power @ 30°C	LTE 800 + GSM 900:	30 Watts (CW) @ 790 - 960 MHz
	GSM 1800:	15 Watts (CW) @ 1710 - 1880 MHz
	UMTS:	10 Watts (CW) @ 1920 - 2170 MHz
	WLAN + LTE (high):	10 Watts (CW) @ 2300 - 2700 MHz
Lightning protection		DC-ground
Return loss (VSWR)		≤ 2
Radiator Type		Dipol Panel Reflector
Cable type		50 Ohm low loss
Cable length		5000 mm
Connector		SMA male

* dBi: referenced to an isotropic radiator

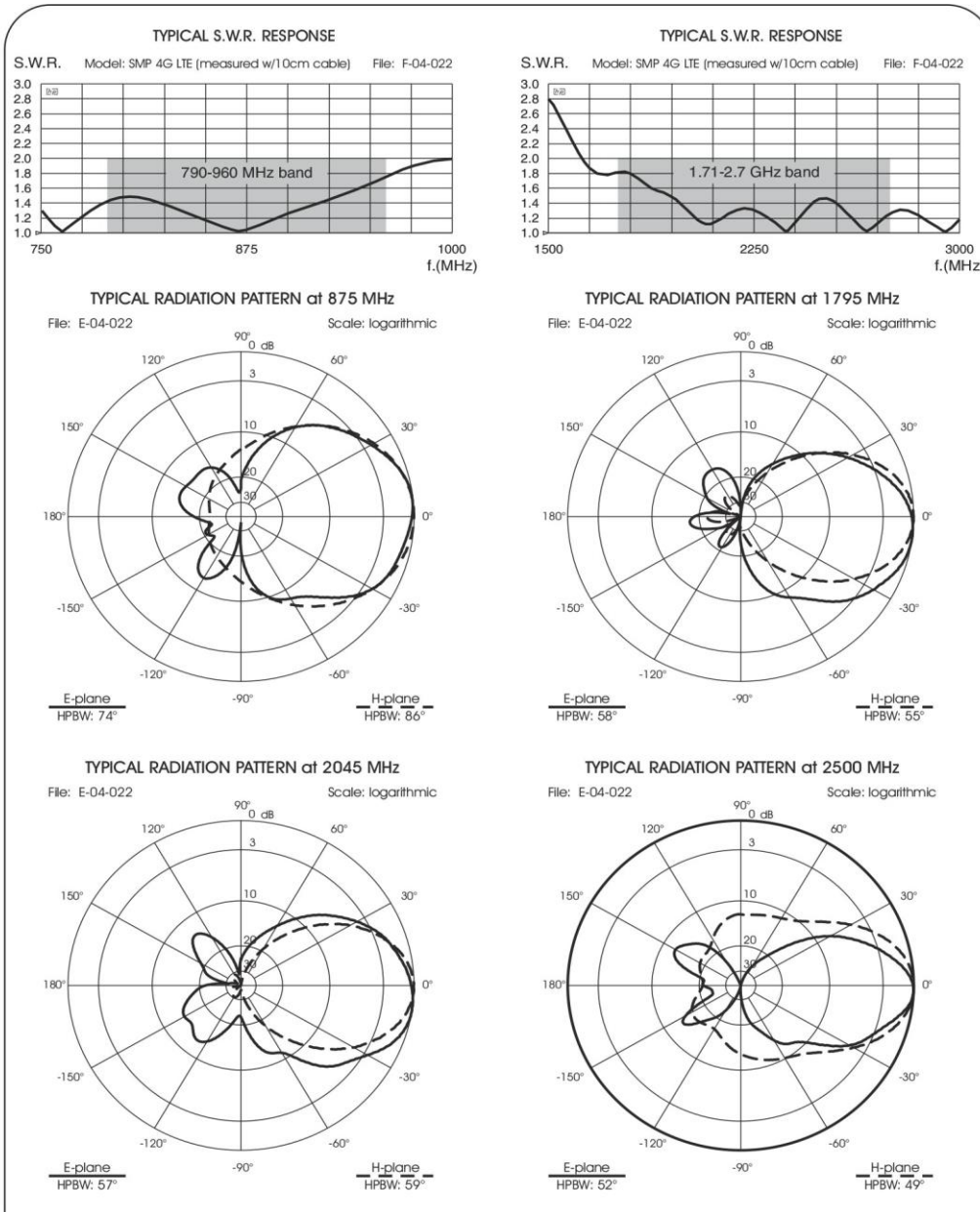
Technical drawings



Installation



Antenna diagrams



www.te.com/hirschmann-mobility
hirschmann-mobility@te.com

TE, TE Connectivity, TE connectivity (logo), and EVERY CONNECTION COUNTS are trademarks.
 Hirschmann is a trademark.

UMTS, LTE and GSM are trademarks.

The information given herein, including drawings, illustrations and schematics which are intended for illustration purposes only, is believed to be reliable. However, TE Connectivity makes no warranties as to its accuracy or completeness and disclaims any liability in connection with its use. TE Connectivity's obligations shall only be as set forth in TE Connectivity's Standard Terms and Conditions of Sale for this product and in no case will TE Connectivity be liable for any incidental, indirect or consequential damages arising out of the sale, resale, use or misuse of the product. Users of TE Connectivity products should make their own evaluation to determine the suitability of each such product for the specific application.

© 2019 TE Connectivity Ltd. family of companies All Rights Reserved.

X-ON Electronics

Largest Supplier of Electrical and Electronic Components

Click to view similar products for [Antennas](#) category:

Click to view products by [TE Connectivity](#) manufacturer:

Other Similar products are found below :

[GAN30084EU](#) [930-033-R](#) [GW17.07.0250E](#) [1513563-1](#) [EXE902SM](#) [APAMPG-117](#) [MAF94383](#) [W3908B0100](#) [W6102B0100](#) [YE572113-30RSMM](#) [108-00014-50](#) [66089-2406](#) [SPDA17RP918](#) [A09-F8NF-M](#) [A09-F5NF-M](#) [RGFRA1903041A1T](#) [W3593B0100](#) [W3921B0100](#) [SIMNA-868](#) [SIMNA-915](#) [SIMNA-433](#) [W1044](#) [W1049B090](#) [A75-001](#) [WTL2449CQ1-FRSMM](#) [CPL9C](#) [EXB148BN](#) [0600-00060](#) [TRA9020S3PBN-001](#) [Y4503](#) [GD5W-28P-NF](#) [MA9-7N](#) [GD53-25](#) [GD5W-21P-NF](#) [C37](#) [MAF94051](#) [MA9-5N](#) [EXD420PL](#) [B1322NR](#) [QWFTB120](#) [MAF94271](#) [MAF94300](#) [GPSMB301](#) [FG4403](#) [AO-AGSM-OM54](#) [5200232](#) [MIKROE-2349](#) [WCM.01.0111](#) [MIKROE-2393](#) [MIKROE-2352](#)