

HIRSCHMANN MOBILITY

CELLULAR (2G/3G/4G) Outdoor Antenna



CEL 8026 STAT/series
Pt no.
602-458-...

- For fix wall mounting
- Omnidirectional radiation

Subject to alterations

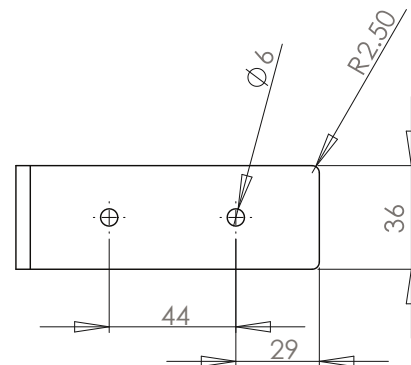
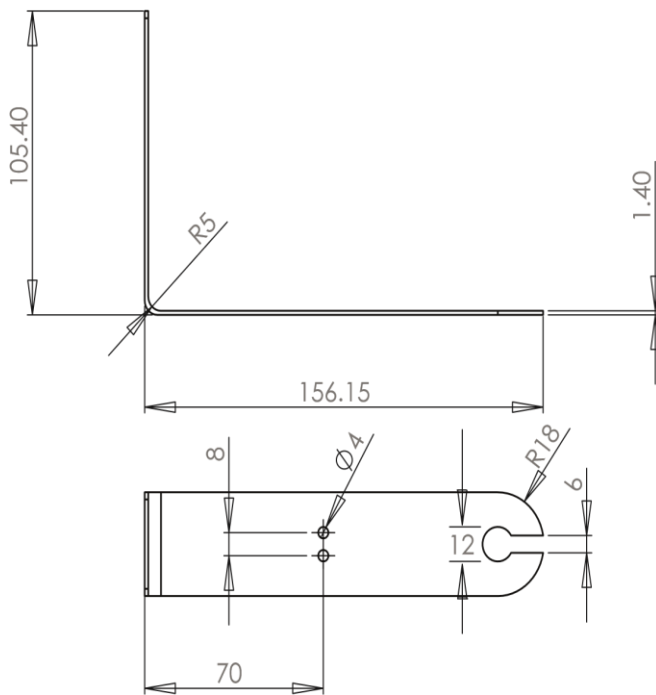
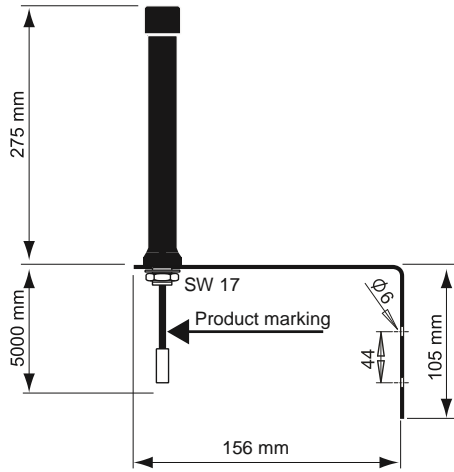
Technical data

Dimensions	275 mm x 16 mm (without bracket)
Weight	355 g
Housing Material	PE UV-resistant
Bracket Material	stainless steel
Temperature range	-30° C – + 80° C
Protection class	IP66 (acc. IEC 60529)
Cellular	
Frequency range	LTE (low): 790 - 862 MHz CELL (low): 824 - 960 MHz CELL (high): 1710 - 2170 MHz LTE (high): 2500 - 2690 MHz
Impedance	50 Ohm
Gain	5.1 dBi
Return loss (VSWR)	< 2,0
Radiation pattern	omnidirectional (horizontal)
Load capacity	max. 10 W (c.w.)
Polarization	vertical
Cable type	RG 58
Cable length	5000 +50 mm
Connector	-001: FME Female -002: SMA male

CELLULAR (2G/3G/4G) OUTDOOR ANTENNA

CEL 8026 STAT/series Pt no. 602-458-...

Technical drawings



www.te.com/hirschmann-mobility

hirschmann-mobility@te.com

TE, TE Connectivity, TE connectivity (logo), and EVERY CONNECTION COUNTS are trademarks. Hirschmann is a trademark.

LTE is a trademark.

The information given herein, including drawings, illustrations and schematics which are intended for illustration purposes only, is believed to be reliable. However, TE Connectivity makes no warranties as to its accuracy or completeness and disclaims any liability in connection with its use. TE Connectivity's obligations shall only be as set forth in TE Connectivity's Standard Terms and Conditions of Sale for this product and in no case will TE Connectivity be liable for any incidental, indirect or consequential damages arising out of the sale, resale, use or misuse of the product. Users of TE Connectivity products should make their own evaluation to determine the suitability of each such product for the specific application.

© 2019 TE Connectivity Ltd. family of companies All Rights Reserved.

X-ON Electronics

Largest Supplier of Electrical and Electronic Components

Click to view similar products for [Antennas](#) category:

Click to view products by [TE Connectivity](#) manufacturer:

Other Similar products are found below :

[GAN30084EU](#) [930-033-R](#) [GW17.07.0250E](#) [1513563-1](#) [EXE902SM](#) [APAMPG-117](#) [MAF94383](#) [W3908B0100](#) [W6102B0100](#) [YE572113-30RSMM](#) [108-00014-50](#) [66089-2406](#) [SPDA17RP918](#) [A09-F8NF-M](#) [A09-F5NF-M](#) [RGFRA1903041A1T](#) [W3525BW100](#) [W3593B0100](#) [W3921B0100](#) [SIMNA-868](#) [SIMNA-915](#) [SIMNA-433](#) [W1044](#) [W1049B090](#) [A75-001](#) [WTL2449CQ1-FRSMM](#) [CPL9C](#) [EXB148BN](#) [0600-00060](#) [TRA9020S3PBN-001](#) [Y4503](#) [GD5W-28P-NF](#) [MA9-7N](#) [GD53-25](#) [GD5W-21P-NF](#) [C37](#) [MAF94051](#) [MA9-5N](#) [EXD420PL](#) [B1322NR](#) [QWFTB120](#) [MAF94271](#) [MAF94300](#) [GPSMB301](#) [FG4403](#) [AO-AGSM-OM54](#) [5200232](#) [MIKROE-2349](#) [WCM.01.0111](#) [MIKROE-2393](#)