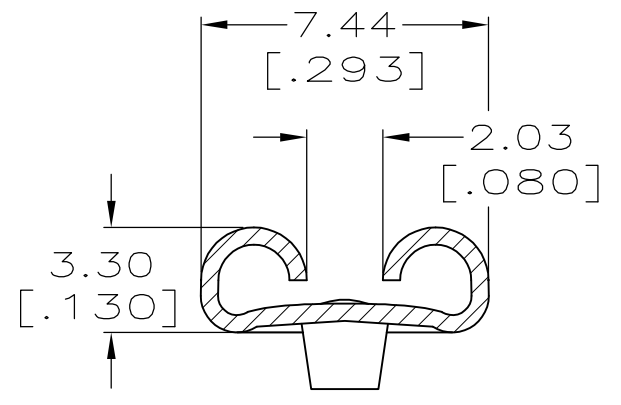
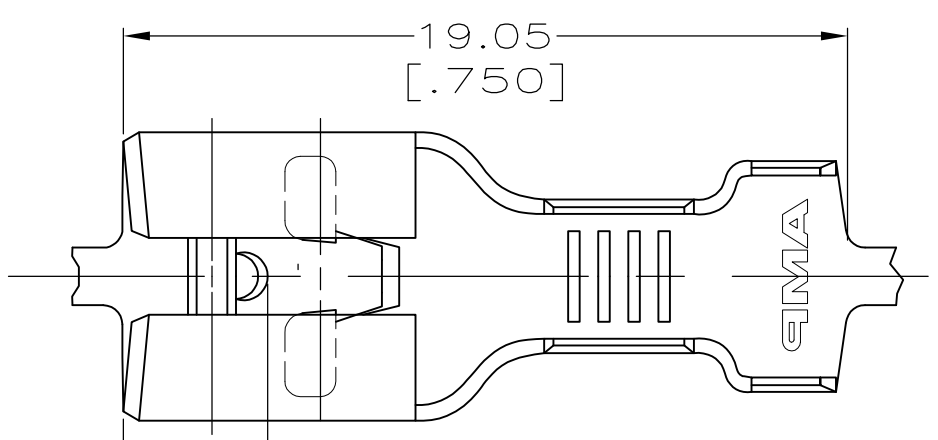


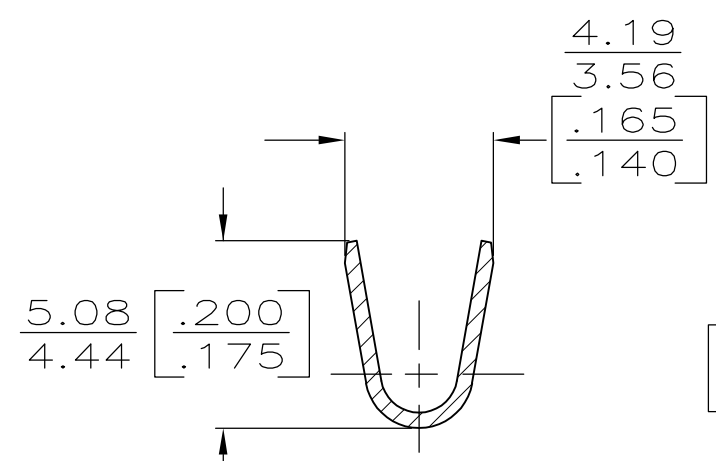
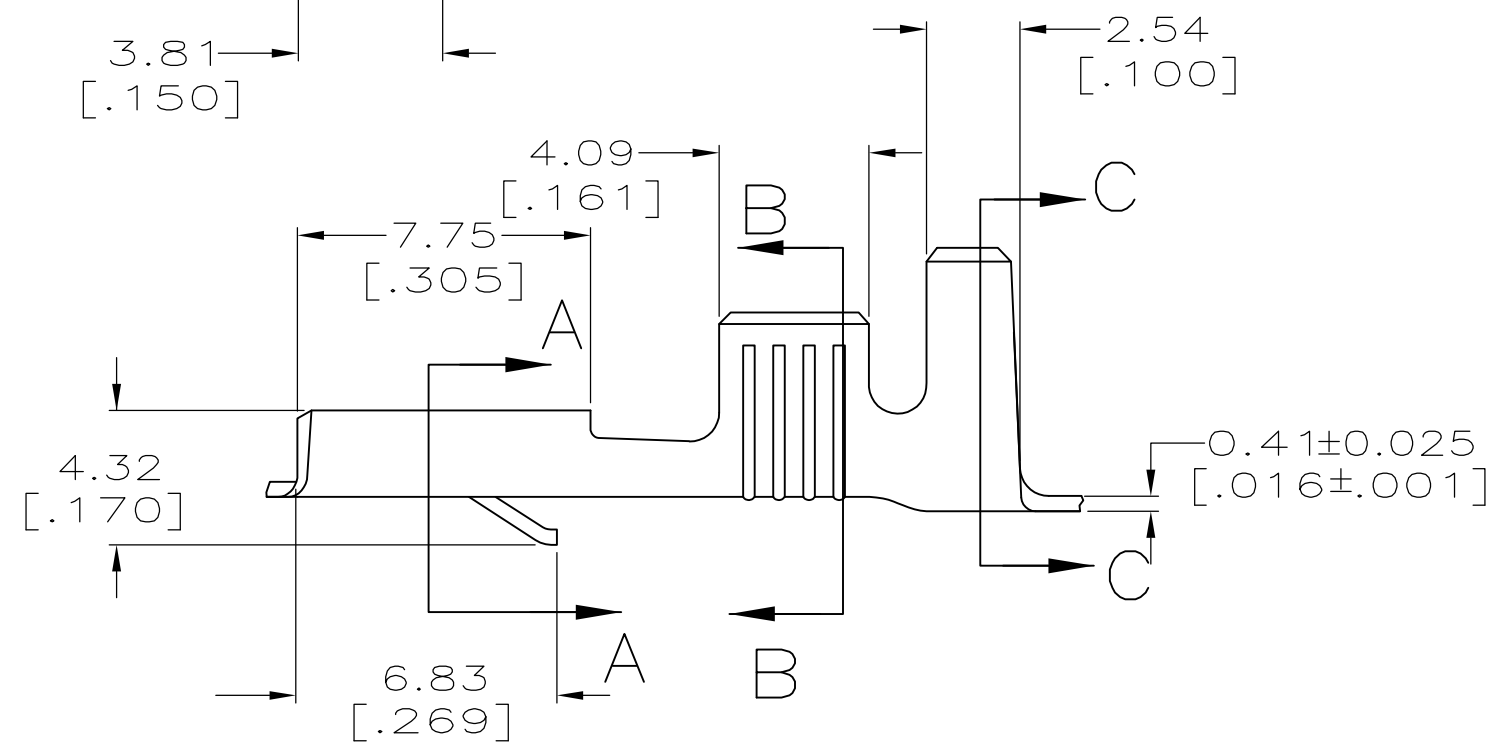
THIS DRAWING IS UNPUBLISHED. RELEASED FOR PUBLICATION
 © COPYRIGHT - By - ALL RIGHTS RESERVED.

| LOC | DIST | REVISIONS | | | |
|-----|------|-------------|---------------------------|-----------|-------|
| P | LTR | DESCRIPTION | DATE | DWN | APVD |
| AF | 50 | G | REVISED PER ECR-13-005733 | 23AUG2013 | KH PD |

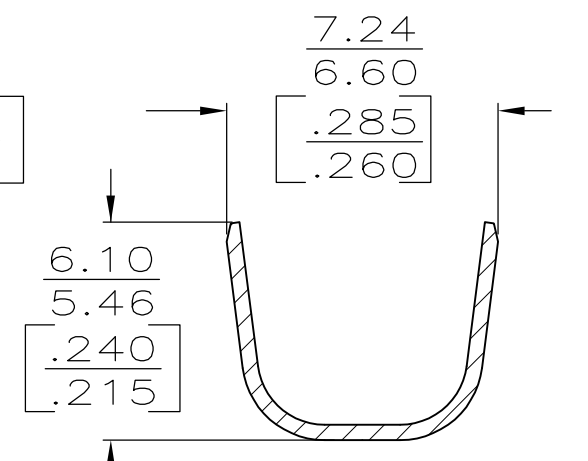
- 1 CONTINUOUS STRIP ON REELS.
- 2 ACCEPTS WIRE SIZE [#16-#12 OR TWO #16'S].
- 3 INSULATION RANGE TO BE 4.06-5.33 [.160-.210] OR TWO 3.30 [.130] MAX DIA.
- 4 MATING TAB THK IS 0.81±0.025 [.032±.001].
- △5 INTERLEAVING PAPER REQUIRED.
- △6 PRELIMINARY - NOT FOR PRODUCTION



SECTION A-A



SECTION B-B



SECTION C-C

| | | | |
|----|-------------------------------|----|---------|
| △5 | 0.002032 [.000080] MIN TIN | △6 | 60249-5 |
| | 0.000381 [.000015] THK SILVER | | 60249-3 |
| | TIN | | 60249-2 |
| | - | | 60249-1 |
| | FINISH | | PART NO |

| | | | | | | | | |
|--|--|-------------------|-------------|---------|---|-----------|------------|---------------|
| THIS DRAWING IS A CONTROLLED DOCUMENT. | | DWN | JR RUTH | 7/14/95 | STE TE Connectivity | | | |
| DIMENSIONS: INCHES | | CHK | MS FEHER | 7/14/95 | | | | |
| TOLERANCES UNLESS OTHERWISE SPECIFIED: | | APVD | J GILLESPIE | 7/14/95 | RECEPTACLE, FASTIN-FASTON, 6.35 [.250] SERIES | | | |
| 0 PLC ± - | | PRODUCT SPEC | - | | | | | |
| 1 PLC ± - | | APPLICATION SPEC | 114-2025 | | SIZE | CAGE CODE | DRAWING NO | RESTRICTED TO |
| 2 PLC ± 0.38 [.015] | | WEIGHT | - | | A3 | 00779 | C-60249 | - |
| 3 PLC ± - | | CUSTOMER DRAWING | | SCALE | 5:1 | SHEET | 1 OF 1 | REV |
| 4 PLC ± - | | | | | | | | G |
| ANGLES ± - | | | | | | | | |
| MATERIAL: BRASS | | FINISH: SEE TABLE | | | | | | |

X-ON Electronics

Largest Supplier of Electrical and Electronic Components

Click to view similar products for [Terminals](#) category:

Click to view products by [TE Connectivity](#) manufacturer:

Other Similar products are found below :

[00-054007-01074-6](#) [00-054007-70206-1](#) [00-054007-70210-8](#) [00-054007-70217-7](#) [00-054007-70226-9](#) [00-054007-70228-3](#) [00-054007-70248-1](#) [00-054007-70256-6](#) [00-054007-70301-3](#) [00-054007-70316-7](#) [0-0320562-0](#) [00-054007-49560-4](#) [00-054007-70209-2](#) [00-054007-70225-2](#) [00-054007-70227-6](#) [00-054007-70231-3](#) [00-054007-70241-2](#) [00-054007-70242-9](#) [00-054007-70244-3](#) [00-054007-70246-7](#) [00-054007-70263-4](#) [00-054007-70288-7](#) [00-054007-70290-0](#) [00-054007-70300-6](#) [00-054007-70304-4](#) [01-2065-1-0216](#) [01-2900-1-04412](#) [00581P0075](#) [600TS-10](#) [60205-1](#) [604200-1](#) [605601-1](#) [60598-1-CUT-TAPE](#) [61314-6-C](#) [61810-3](#) [61-S](#) [61-SN](#) [626-0194](#) [62-NBM-A](#) [62-SN](#) [62-SP](#) [63-S](#) [640179-1](#) [M55155/059I03](#) [M55155/079C01](#) [M55155/099H02](#) [M55155/109H01](#) [M55155/109H02](#) [M55155/12XH05](#) [M55155/16XH02](#)