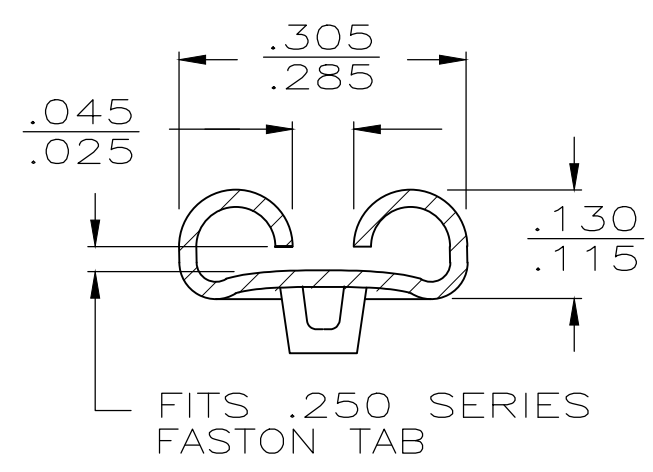
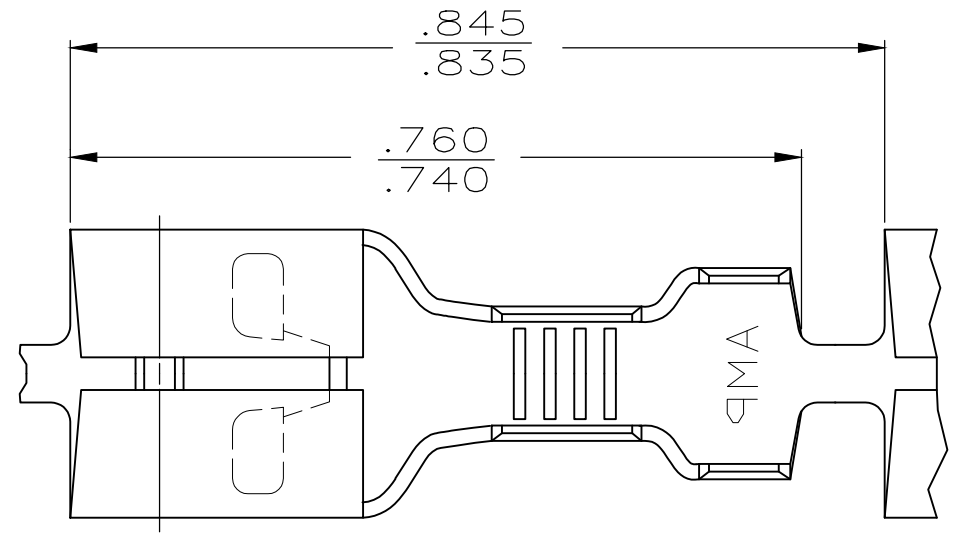
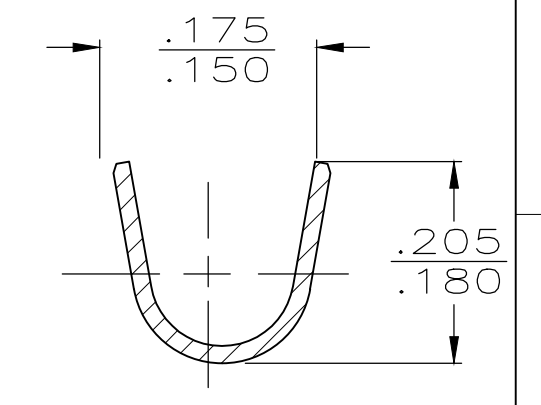
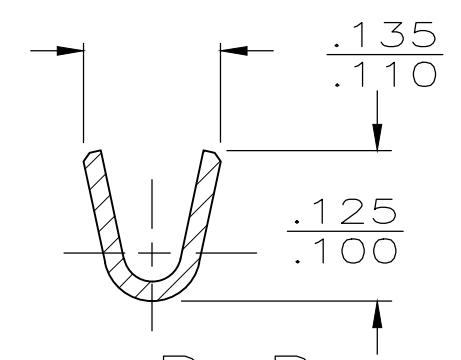
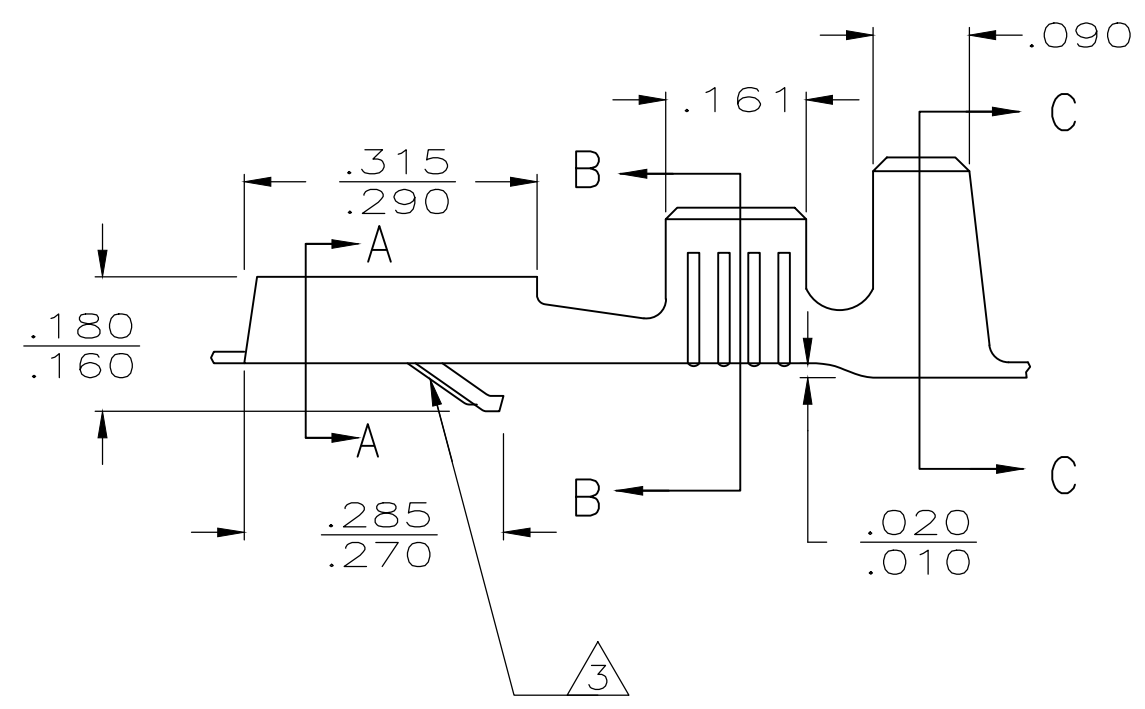


THIS DRAWING IS UNPUBLISHED. RELEASED FOR PUBLICATION
 © COPYRIGHT - By - ALL RIGHTS RESERVED.

LOC	DIST	REVISIONS					
AF	50	P	LTR	DESCRIPTION	DATE	DWN	APVD
			AK	REVISED PER ECR-18-013409	03SEP2018	BDA	LB



- 1 CONTINUOUS STRIP ON REELS.
- 2 FOREIGN PRODUCTION ONLY
- 3 LANCE IN 1-60295-2 ONLY.
- 4 INTERLEAVING PAPER



OBSOLETE	4 TIN	.085-.125	22-18	.032 ±.001	60295-4
	3 TIN	.085-.125	22-18	.032 ±.001	1-60295-2
	OBSOLETE NICKEL	.085-.125	22-18	.032 ±.001	60295-3
	TIN	.085-.125	22-18	.032 ±.001	60295-2
	-	.085-.125	22-18	.032 ±.001	60295-1
	FINISH	INSULATION RANGE	WIRE SIZE	TAB THK	PART NO

THIS DRAWING IS A CONTROLLED DOCUMENT.		DWN JR RUTH 4/28/86	TE Connectivity .250 SERIES FASTIN - FASTON RECEPTACLE				
DIMENSIONS: INCHES		CHK G YETTER 4/28/86				NAME	RESTRICTED TO
TOLERANCES UNLESS OTHERWISE SPECIFIED:		APVD R KUZO 4/28/86				PRODUCT SPEC	
0 PLC ± - 1 PLC ± - 2 PLC ± - 3 PLC ± .015 4 PLC ± - ANGLES ± -		APPLICATION SPEC				SIZE	CAGE CODE
MATERIAL BRASS	FINISH SEE ABOVE	WEIGHT -	A3	00779	DRAWING NO C-60295		
CUSTOMER DRAWING			SCALE 1:1	SHEET 1 OF 1	REV AK		

X-ON Electronics

Largest Supplier of Electrical and Electronic Components

Click to view similar products for [Terminals](#) category:

Click to view products by [TE Connectivity](#) manufacturer:

Other Similar products are found below :

[00-054007-01074-6](#) [00-054007-70206-1](#) [00-054007-70210-8](#) [00-054007-70217-7](#) [00-054007-70226-9](#) [00-054007-70228-3](#) [00-054007-70248-1](#) [00-054007-70256-6](#) [00-054007-70301-3](#) [00-054007-70316-7](#) [0-0320562-0](#) [00-054007-49560-4](#) [00-054007-70209-2](#) [00-054007-70225-2](#) [00-054007-70227-6](#) [00-054007-70231-3](#) [00-054007-70241-2](#) [00-054007-70242-9](#) [00-054007-70244-3](#) [00-054007-70246-7](#) [00-054007-70263-4](#) [00-054007-70288-7](#) [00-054007-70290-0](#) [00-054007-70300-6](#) [00-054007-70304-4](#) [01-2065-1-0216](#) [01-2900-1-04412](#) [00581P0075](#) [600TS-10](#) [60205-1](#) [604200-1](#) [605601-1](#) [60598-1-CUT-TAPE](#) [61314-6-C](#) [61810-3](#) [61-S](#) [61-SN](#) [626-0194](#) [62-NBM-A](#) [62-SN](#) [62-SP](#) [63-S](#) [640179-1](#) [M55155/059I03](#) [M55155/079C01](#) [M55155/099H02](#) [M55155/109H01](#) [M55155/109H02](#) [M55155/12XH05](#) [M55155/16XH02](#)