

THIS DRAWING IS UNPUBLISHED.

RELEASED FOR PUBLICATION

---

© COPYRIGHT BY TYCO ELECTRONICS CORPORATION.

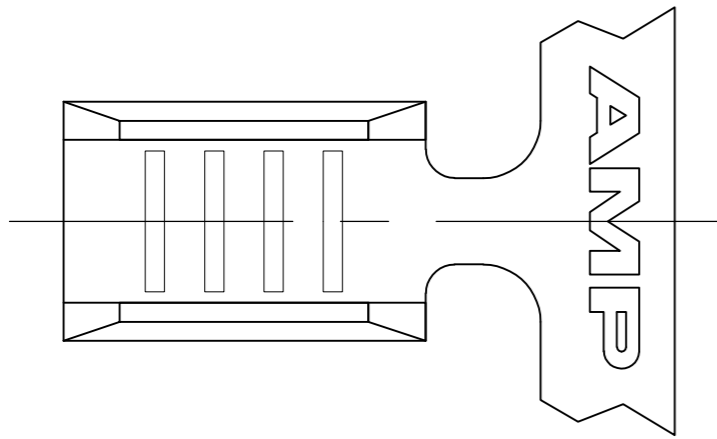
ALL INTERNATIONAL RIGHTS RESERVED.

LOC AF

DIST 50

REVISIONS

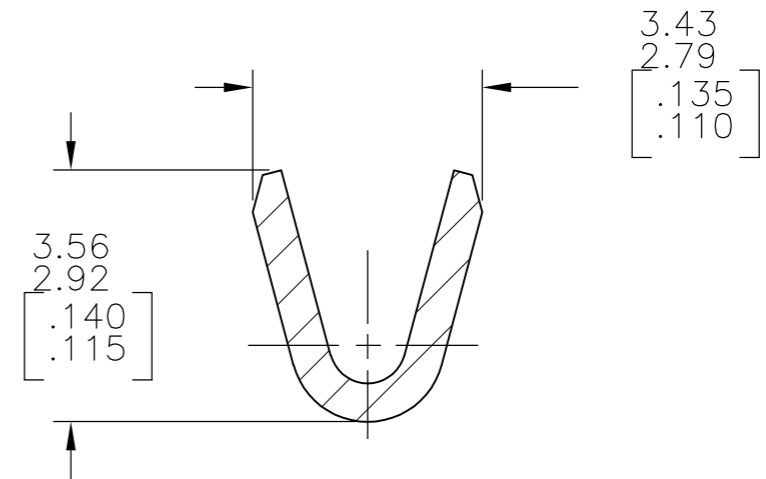
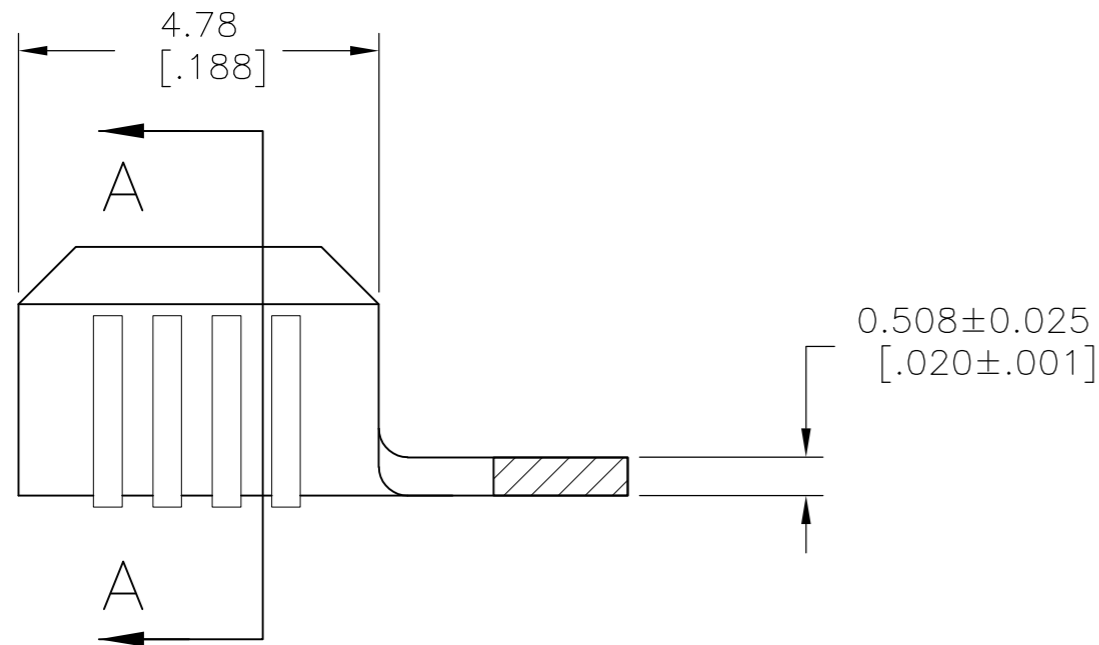
P	LTR	DESCRIPTION	DATE	DWN	APVD
	K1	REVISED PER ECR-08-016766	18JUL08	HMR	DL



- 1 CONTINUOUS STRIP ON REEL.
- 2 CRIMP WIDTH: .090 F TYPE  
CRIMP HEIGHT:  $(\pm.002) = (\text{TOTAL CMA} + 8300) / 145,800$   
FOR APPLICATOR INFORMATION CALL: 1-800-722-1111  
FOR PRODUCT INFORMATION CALL: 1-800-522-6752

3 0.002032 [.000080] MIN TIN PLATE.

4 PRELIMINARY - NOT FOR PRODUCTION.



	3	H00 COPPER	1200-2600 CMA	4	60372-5
OBSOLETE	-	TA STAINLESS STEEL	1200-2600 CMA	-	60372-4
OBSOLETE	3	T3 CR STEEL	1200-2600 CMA	-	60372-3
OBSOLETE	3	082 BRASS	1200-2600 CMA	-	60372-2
	-	082 BRASS	1200-2600 CMA	-	60372-1
		FINISH	MATERIAL	WIRE RANGE	PART NUMBER

THIS DRAWING IS A CONTROLLED DOCUMENT.		DWN 24/JAN/97 PHILLIP M FORTNEY	Tyco Electronics Corporation Harrisburg, PA 17105-3608														
DIMENSIONS: mm [INCHES]		CHK 24/JAN/97 JEFF R RUTH	NAME														
TOLERANCES UNLESS OTHERWISE SPECIFIED:		APVD 24/JAN/97 DENNIS SCHWENK	SPLICE														
<table border="0"> <tr><td>0 PLC</td><td>± -</td></tr> <tr><td>1 PLC</td><td>± -</td></tr> <tr><td>2 PLC</td><td>± 0.25 [.010]</td></tr> <tr><td>3 PLC</td><td>± -</td></tr> <tr><td>4 PLC</td><td>± -</td></tr> <tr><td>ANGLES</td><td>± -</td></tr> </table>		0 PLC	± -	1 PLC	± -	2 PLC	± 0.25 [.010]	3 PLC	± -	4 PLC	± -	ANGLES	± -	PRODUCT SPEC	RESTRICTED TO		
0 PLC	± -																
1 PLC	± -																
2 PLC	± 0.25 [.010]																
3 PLC	± -																
4 PLC	± -																
ANGLES	± -																
MATERIAL SEE TABLE		APPLICATION SPEC 114-2088	SIZE A3	CAGE CODE 00779	DRAWING NO C-60372												
FINISH SEE TABLE		WEIGHT -	SCALE 10:1	SHEET 1 OF 1	REV K1												
CUSTOMER DRAWING																	

## X-ON Electronics

Largest Supplier of Electrical and Electronic Components

*Click to view similar products for [Terminals](#) category:*

*Click to view products by [TE Connectivity](#) manufacturer:*

Other Similar products are found below :

[00-054007-01074-6](#) [00-054007-70206-1](#) [00-054007-70210-8](#) [00-054007-70217-7](#) [00-054007-70226-9](#) [00-054007-70228-3](#) [00-054007-70248-1](#) [00-054007-70256-6](#) [00-054007-70301-3](#) [00-054007-70316-7](#) [0-0320562-0](#) [00-054007-49560-4](#) [00-054007-70209-2](#) [00-054007-70225-2](#) [00-054007-70227-6](#) [00-054007-70231-3](#) [00-054007-70241-2](#) [00-054007-70242-9](#) [00-054007-70244-3](#) [00-054007-70246-7](#) [00-054007-70263-4](#) [00-054007-70288-7](#) [00-054007-70290-0](#) [00-054007-70300-6](#) [00-054007-70304-4](#) [01-2065-1-0216](#) [01-2900-1-04412](#) [00581P0075](#) [600TS-10](#) [60205-1](#) [604200-1](#) [605601-1](#) [60598-1-CUT-TAPE](#) [61314-6-C](#) [61810-3](#) [61-S](#) [61-SN](#) [626-0194](#) [62-NBM-A](#) [62-SN](#) [62-SP](#) [63-S](#) [640179-1](#) [M55155/059I03](#) [M55155/079C01](#) [M55155/099H02](#) [M55155/109H01](#) [M55155/109H02](#) [M55155/12XH05](#) [M55155/16XH02](#)